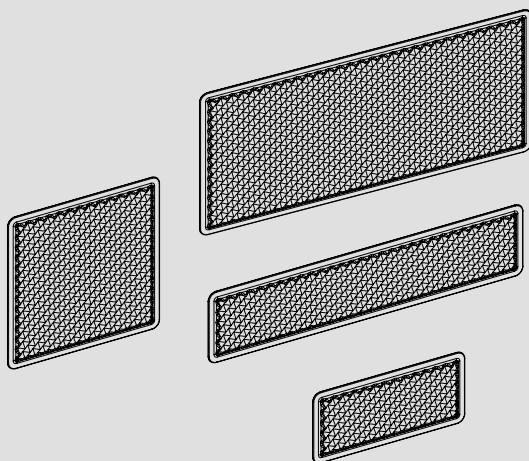
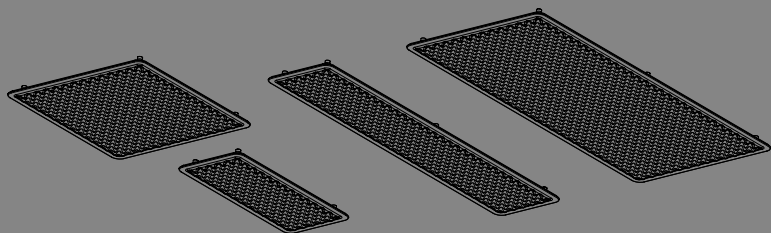


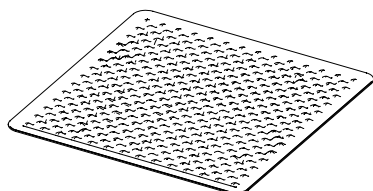
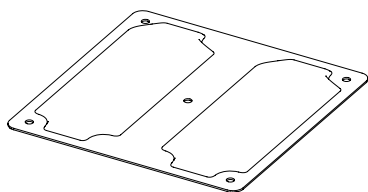
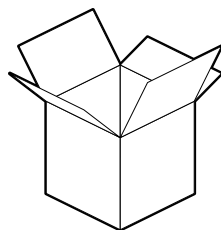
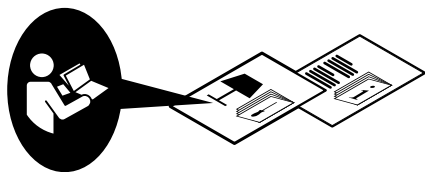
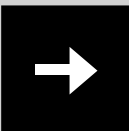
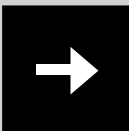
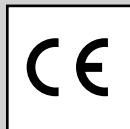
EGGBOARD WALL

design
Progetto CMR



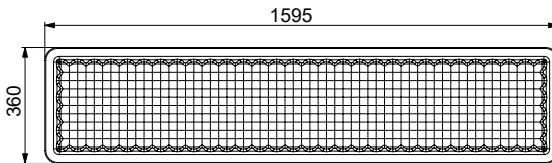
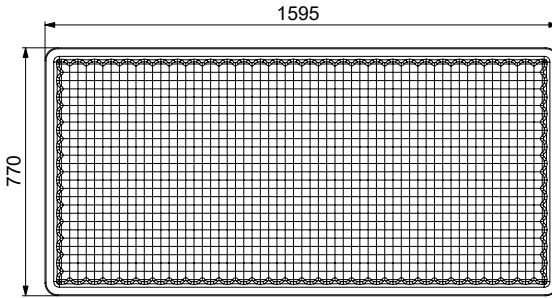
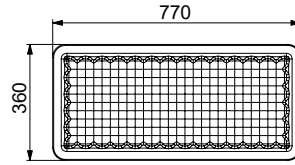
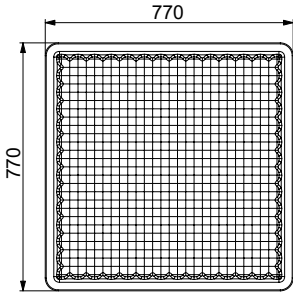


i



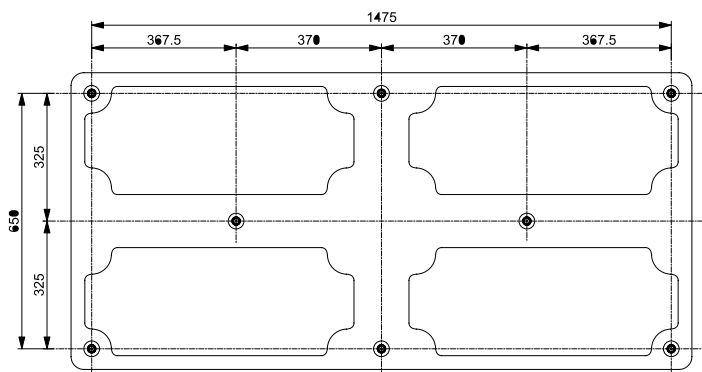
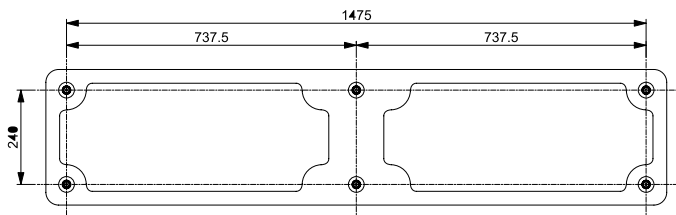
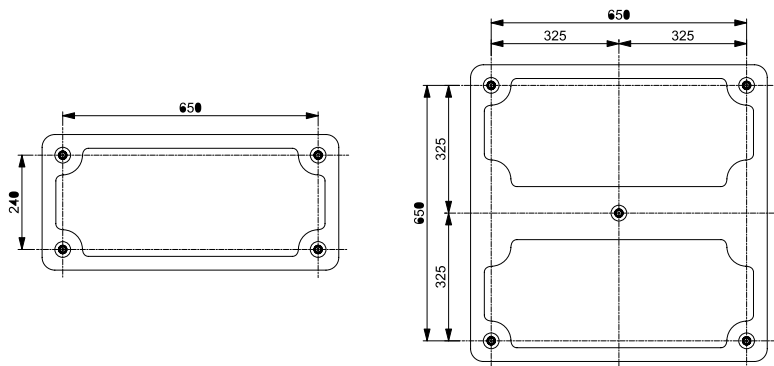


i



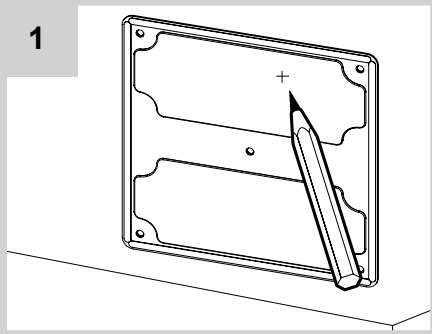


i

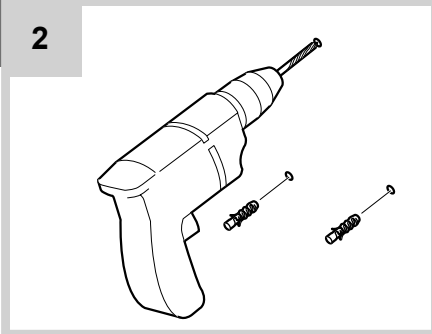




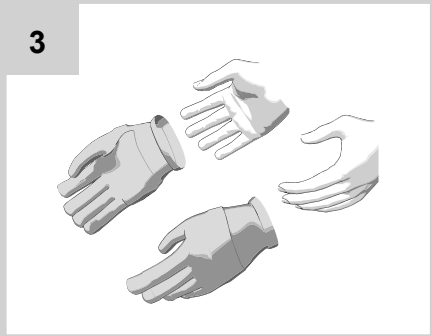
1



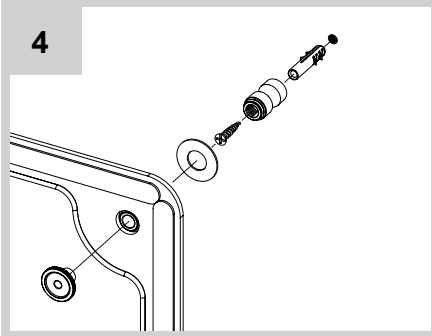
2



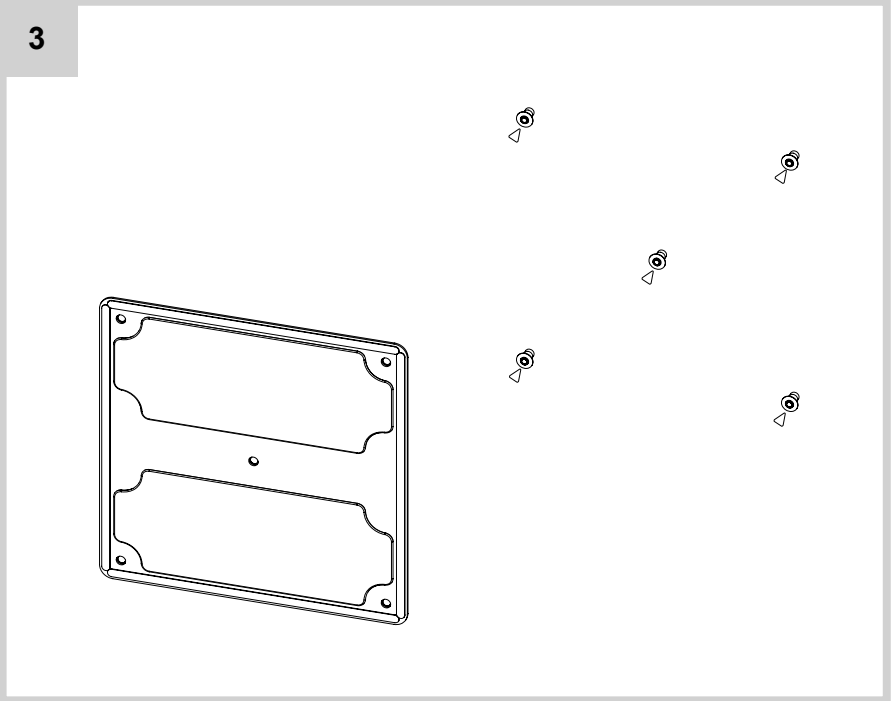
3



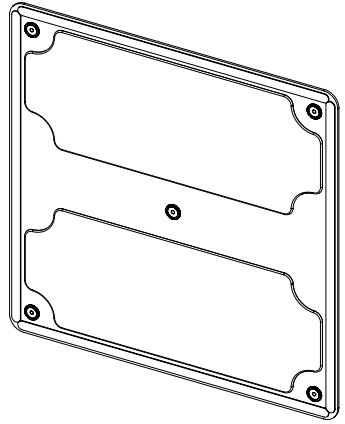
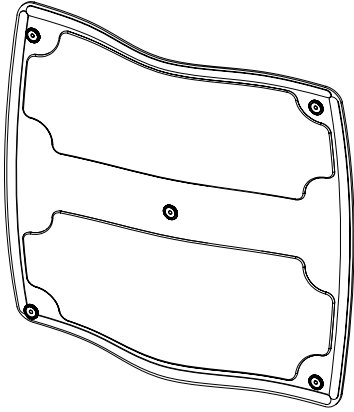
4



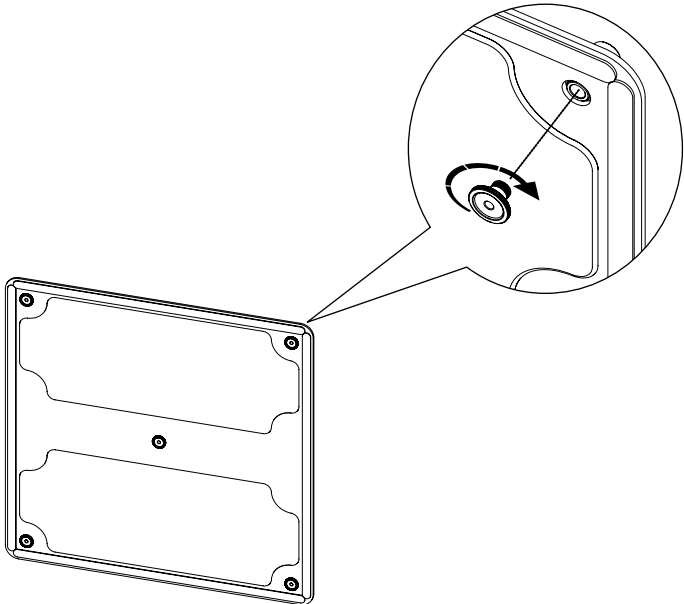
3



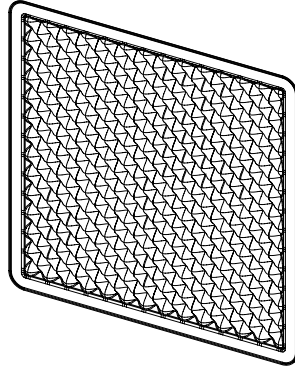
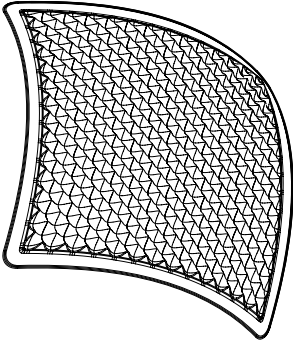
4



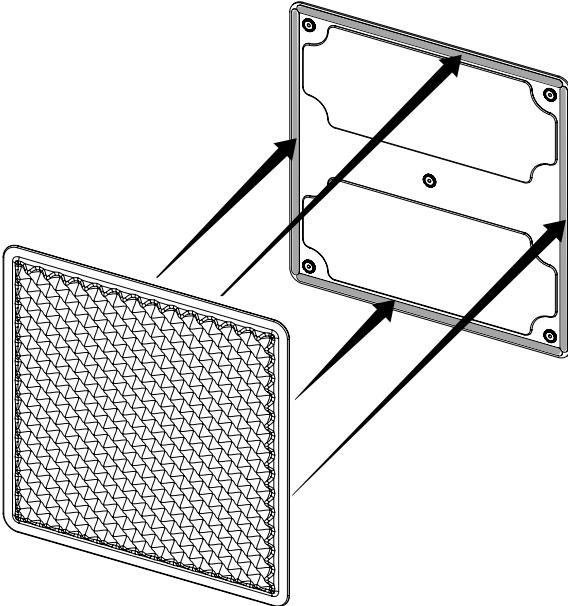
5



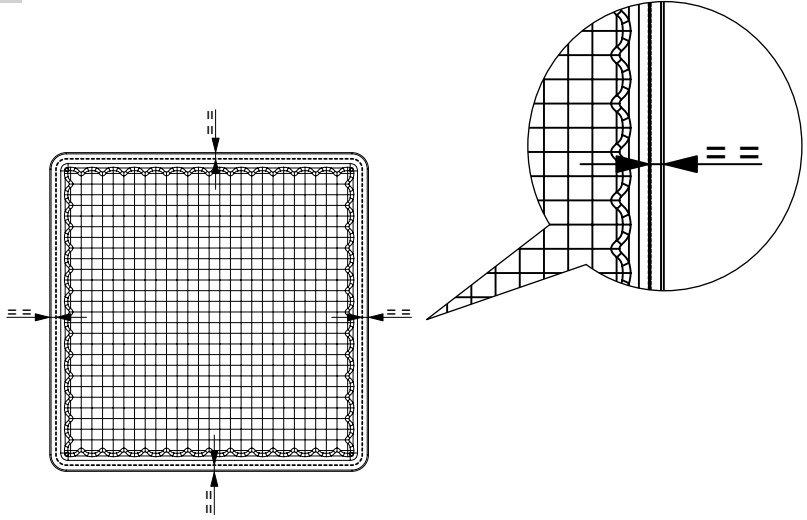
6



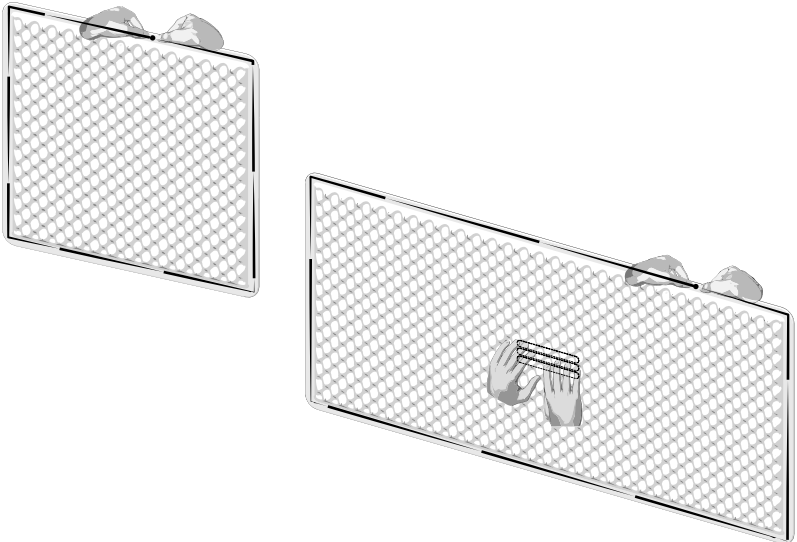
7

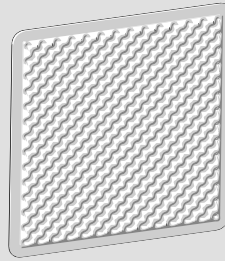
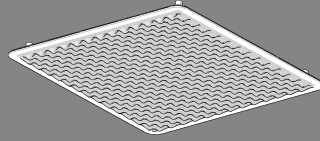


8



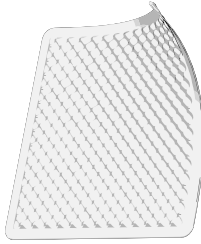
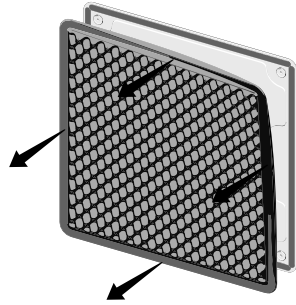
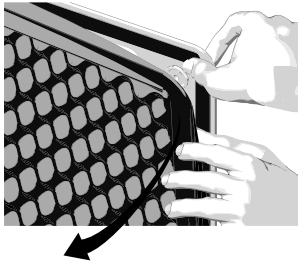
9

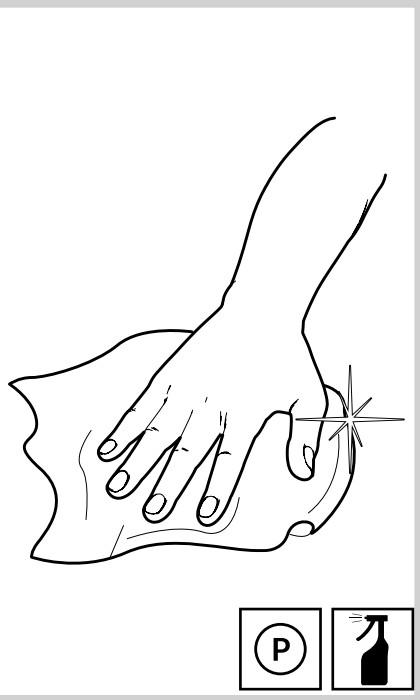
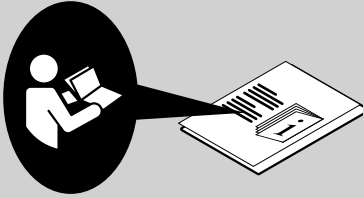






10





Artemide[®]
ARCHITECTURAL



Artemide

via Bergamo, 18
20010 Pregnana M.se (MI)
ITALIA

tel. +39 02 935 181
fax +39 02 935 90 254
fax +39 02 935 90 496

www.artemide.com

VAT IT00846890150

cod. Y513001302