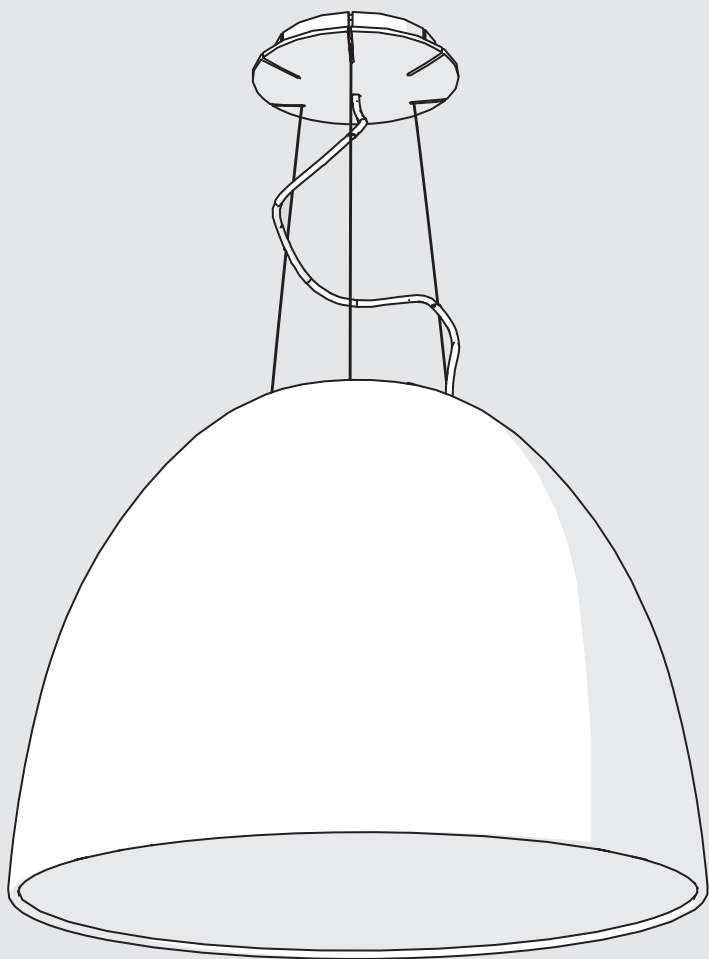


Artemide®

Nur 1618 Acoustic Led INTEGRALIS®

design
Ernesto Gismondi

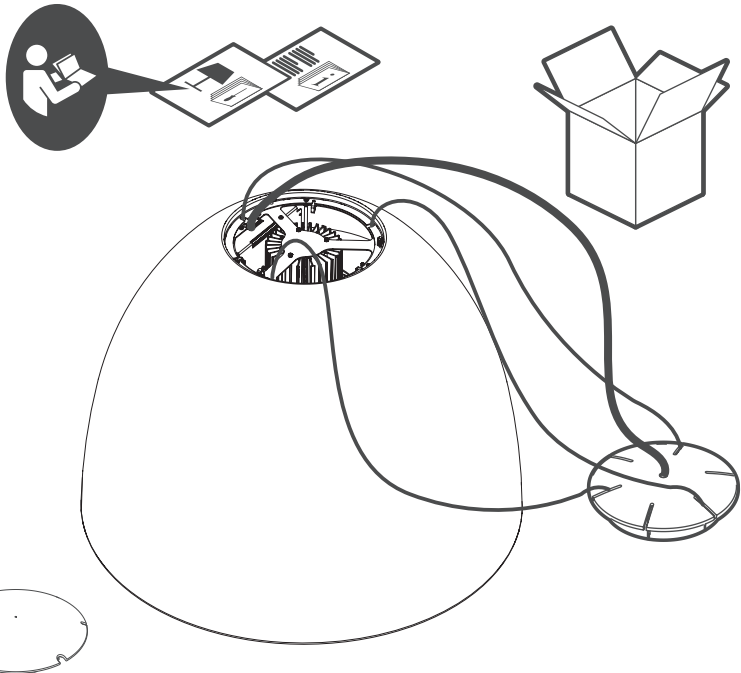




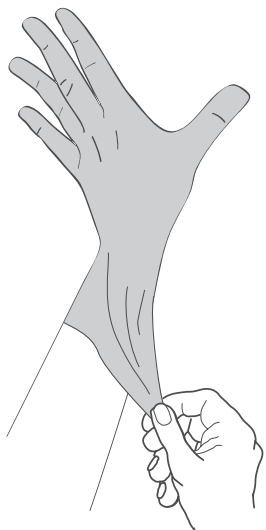
i



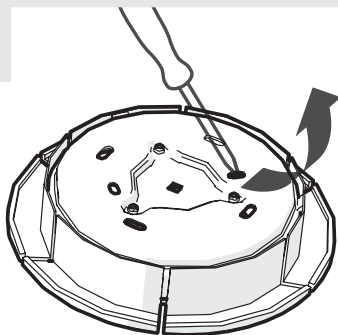
Artemide
INTEGRALIS



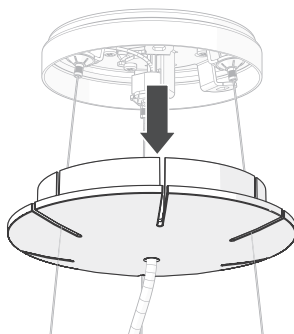
1



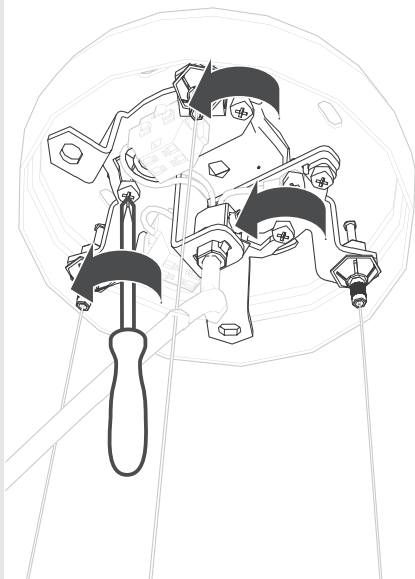
2



3



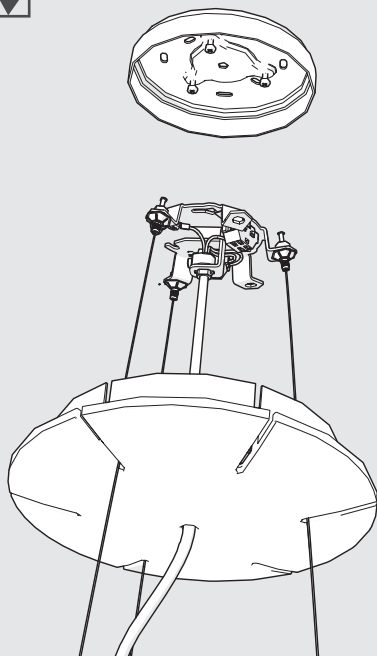
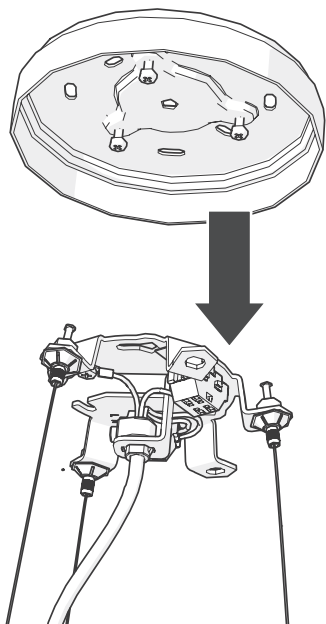
4



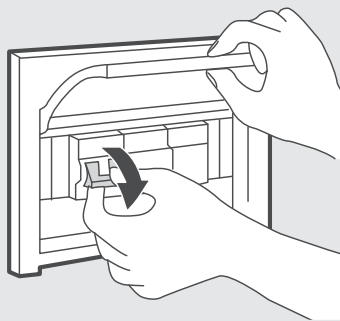
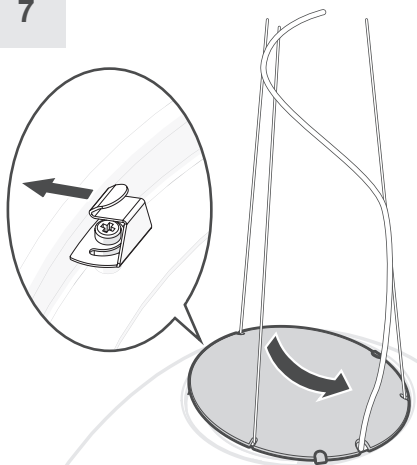
5



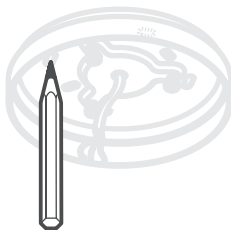
6



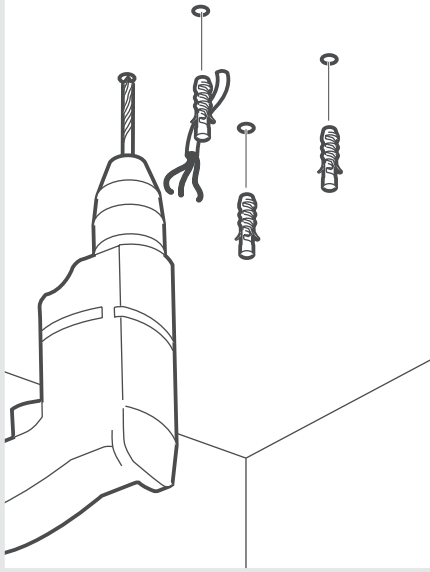
7



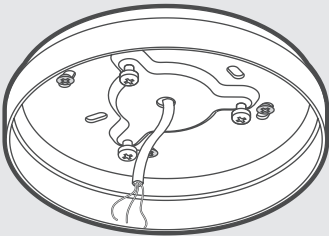
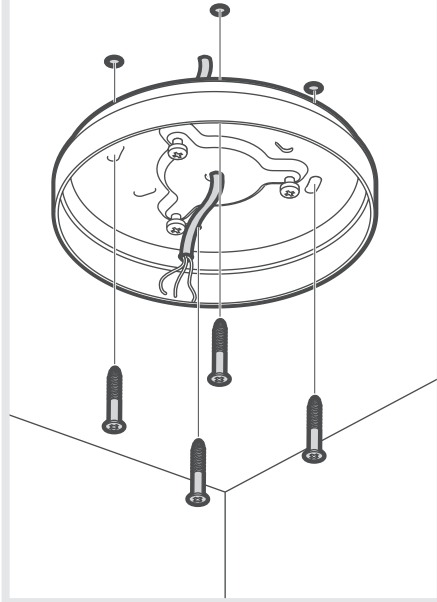
8



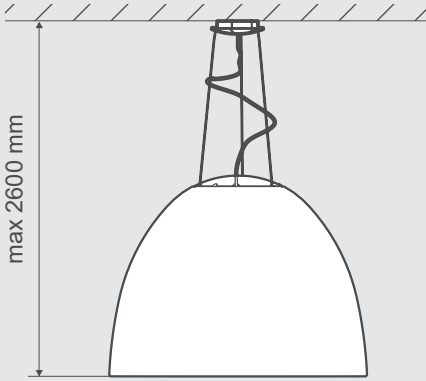
9



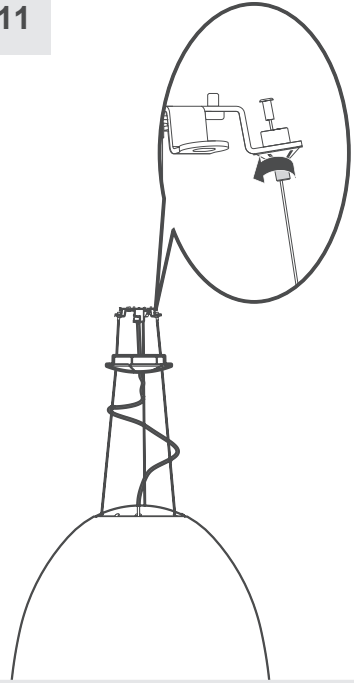
10



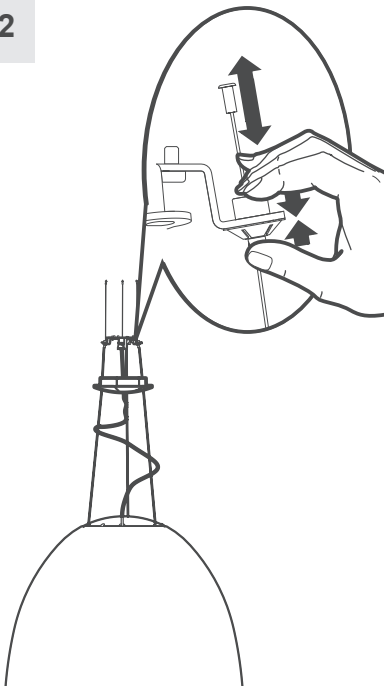
i



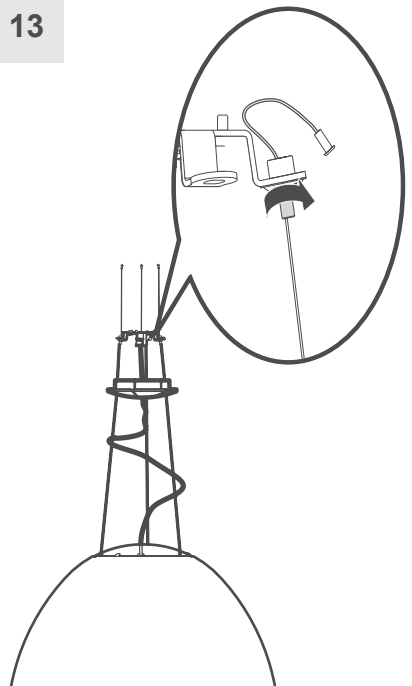
11



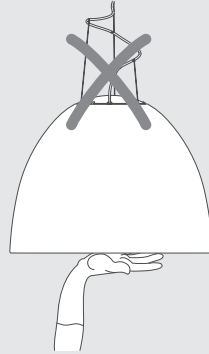
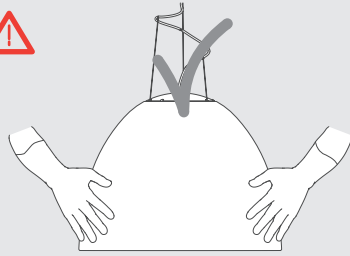
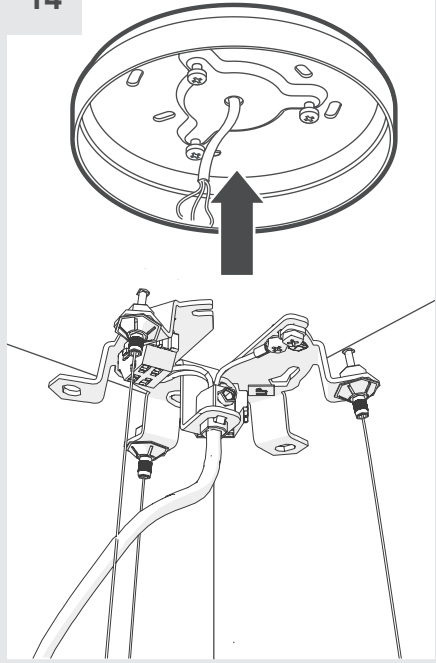
12



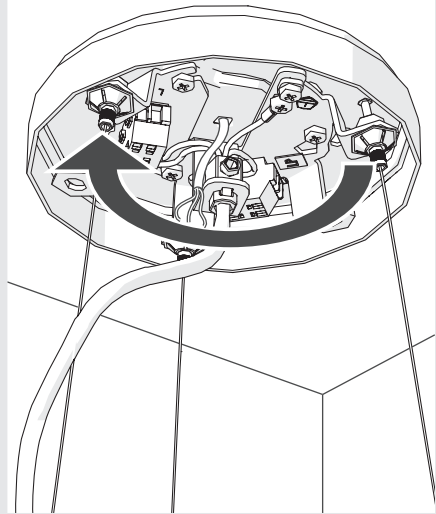
13



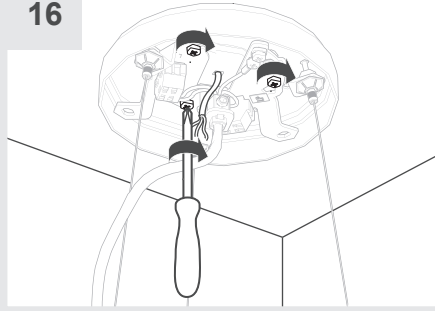
14



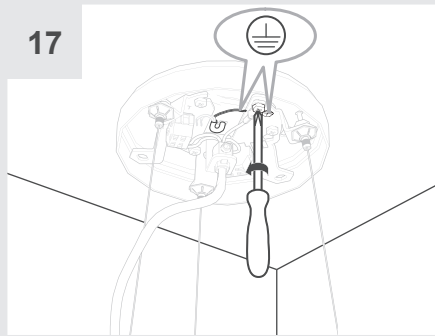
15



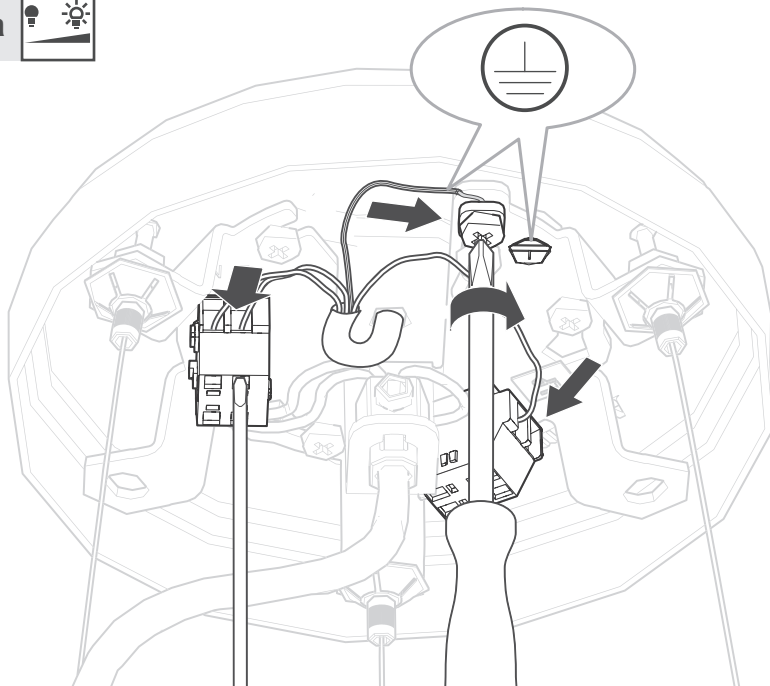
16



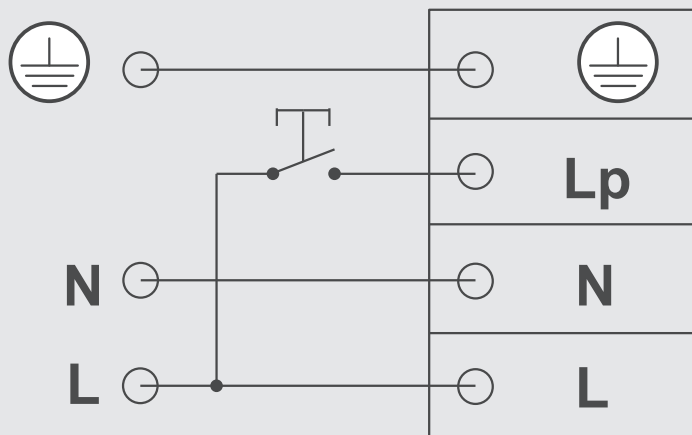
17



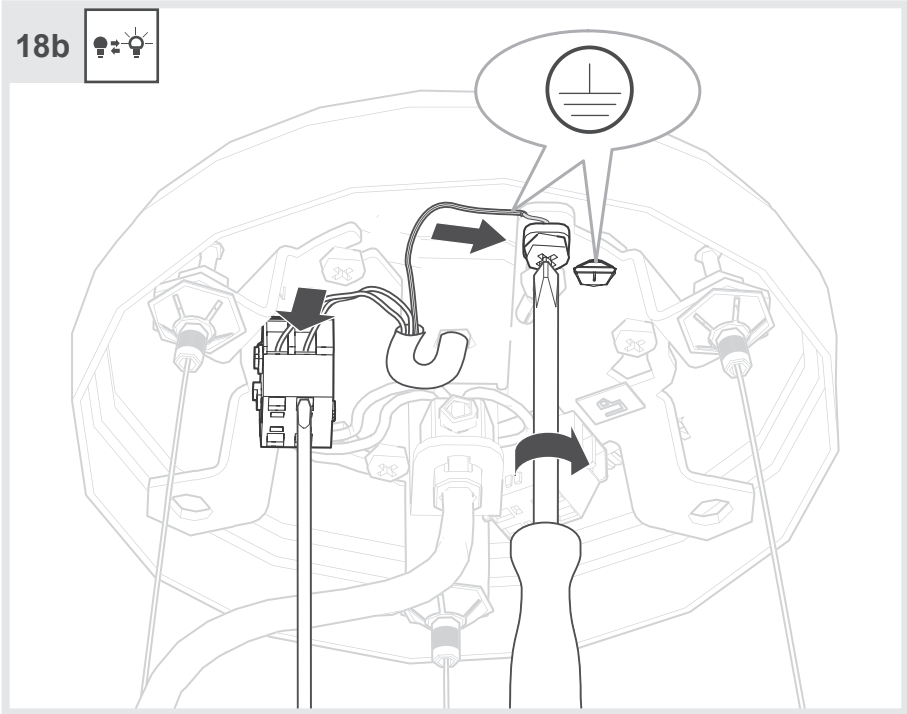
18a



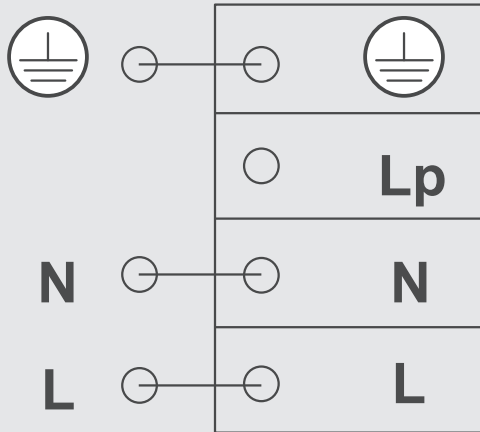
i



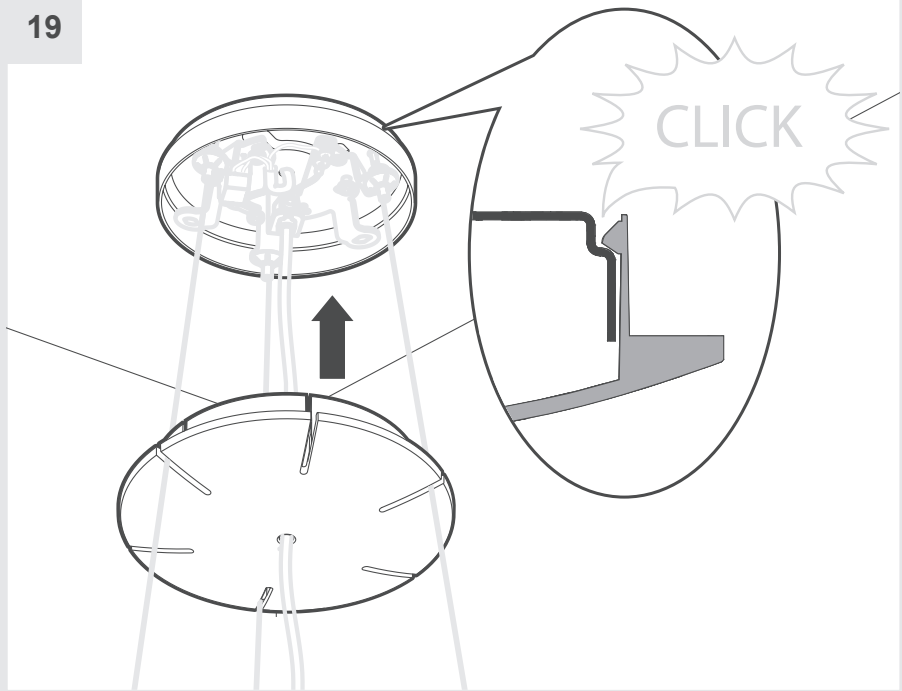
18b



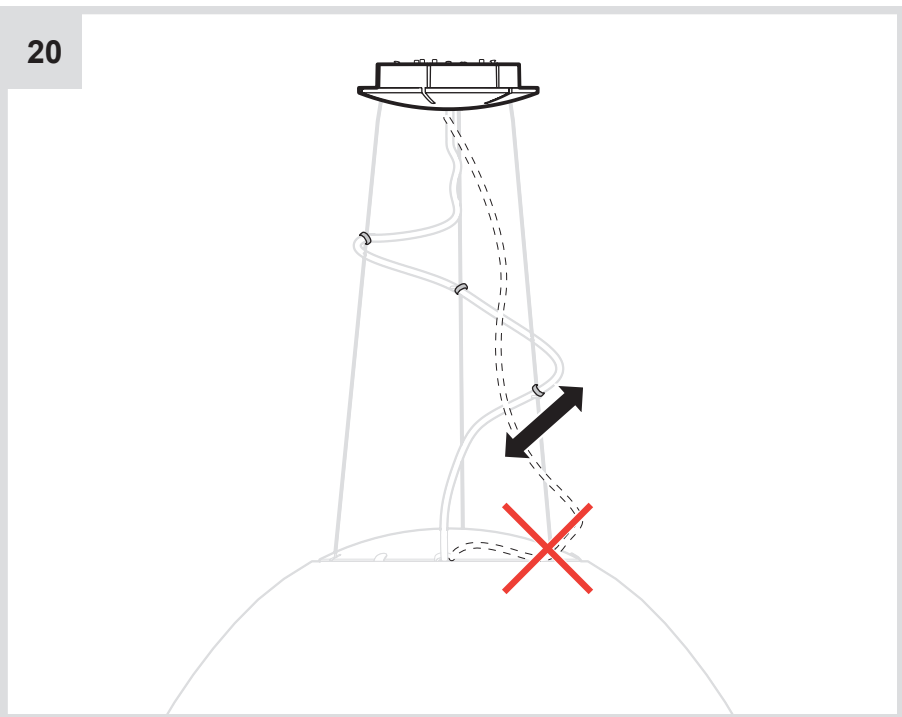
i



19



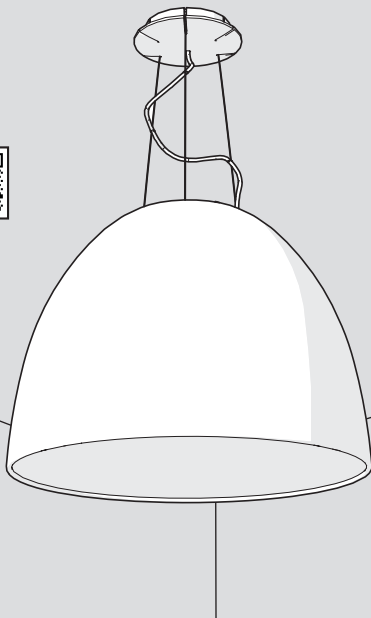
20



i



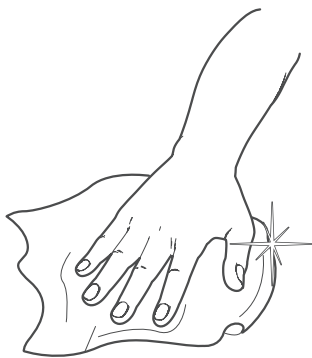
Artemide
INTEGRALIS®



i



1



Artemide®



Artemide

via Bergamo, 18
20010 Pregnana M.se (MI)
ITALIA

tel. +39 02 935 181
fax +39 02 935 90 254
fax +39 02 935 90 496

www.artemide.com

VAT IT00846890150

cod. Y513001360A