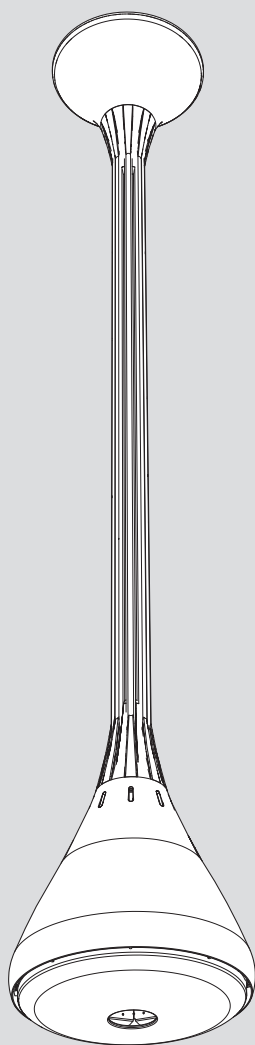


Artemide®

Pipe LED INTEGRALIS®

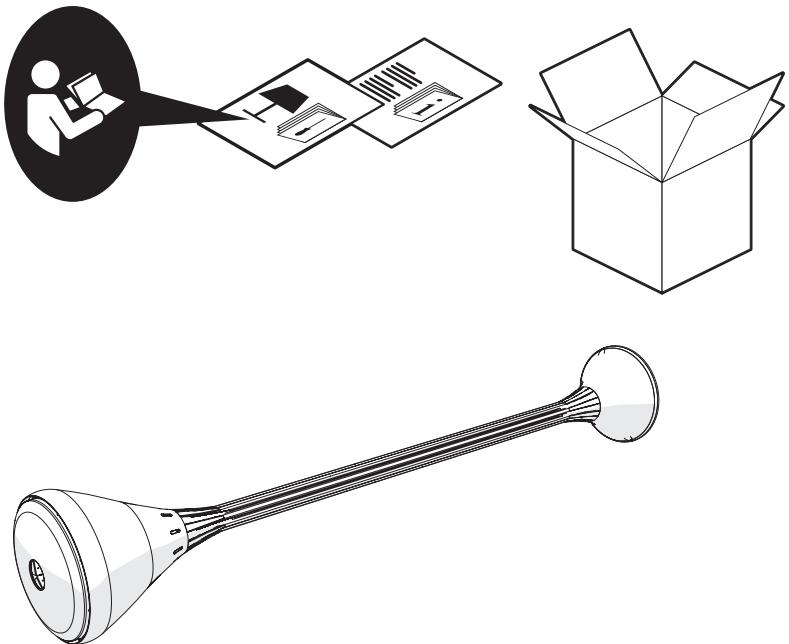
design
Herzog & De Meuron

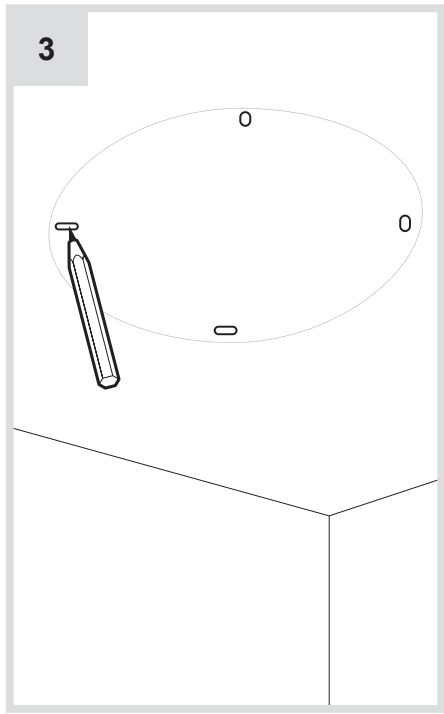
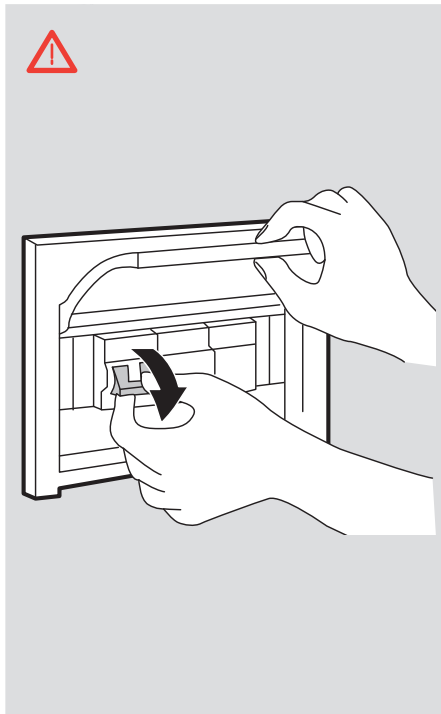
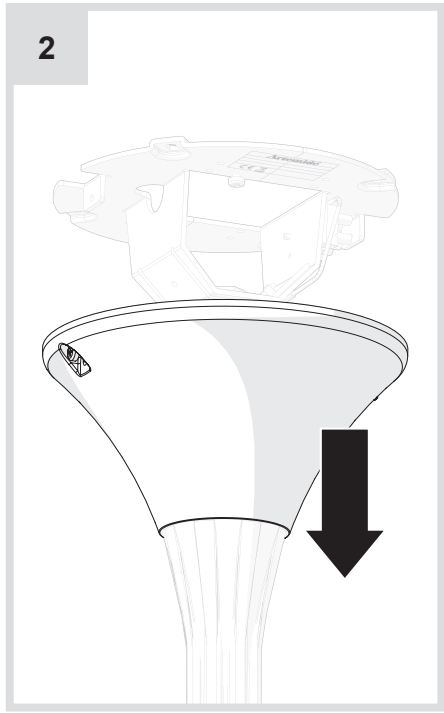




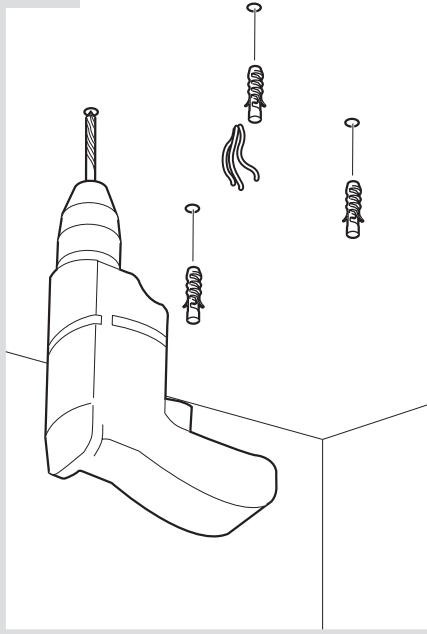
i

Artemide
INTEGRALIS

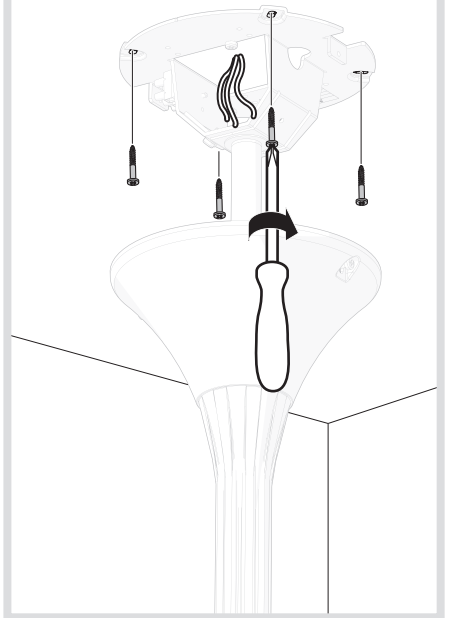




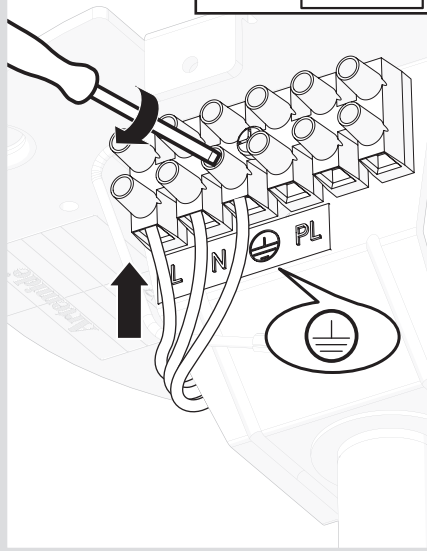
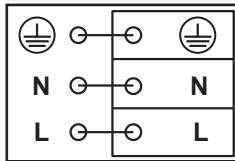
4



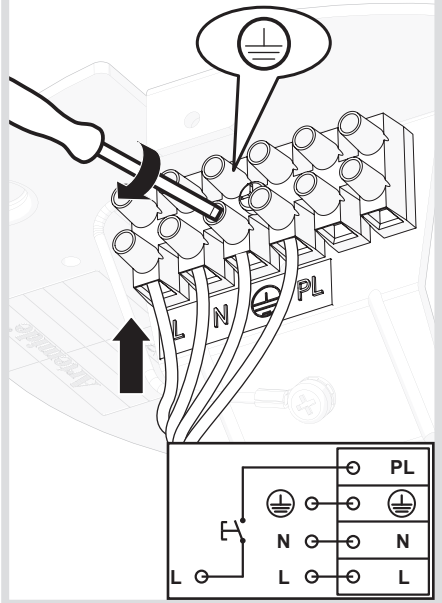
5



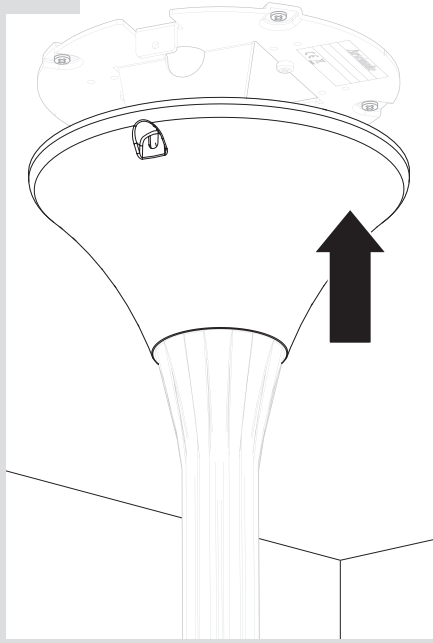
6a



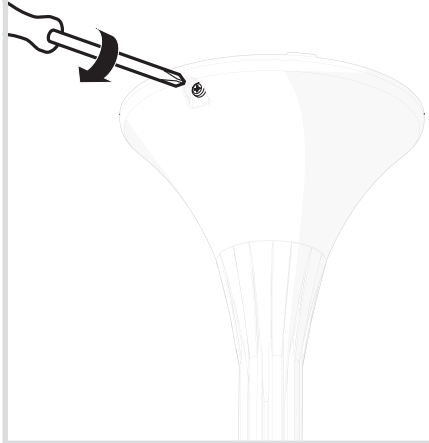
6b



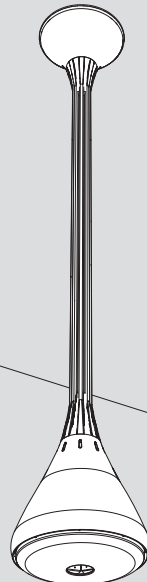
7



8

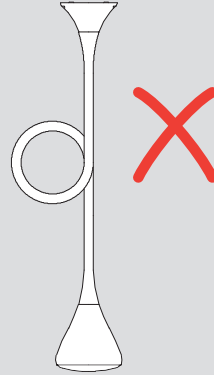
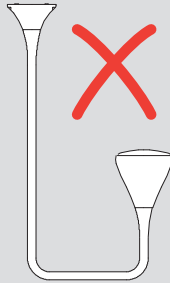
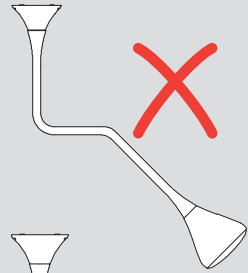
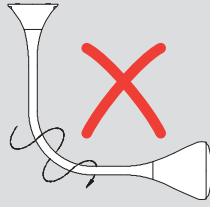
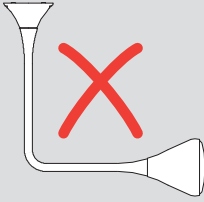


Artemide
INTEGRALS

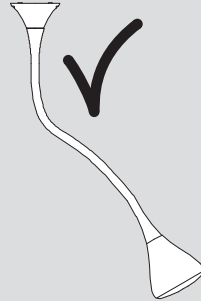
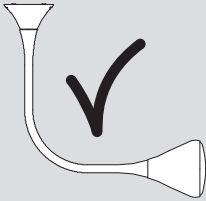




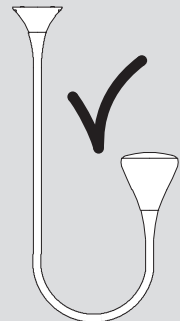
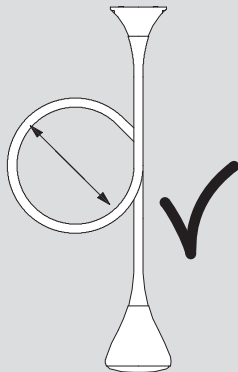
i

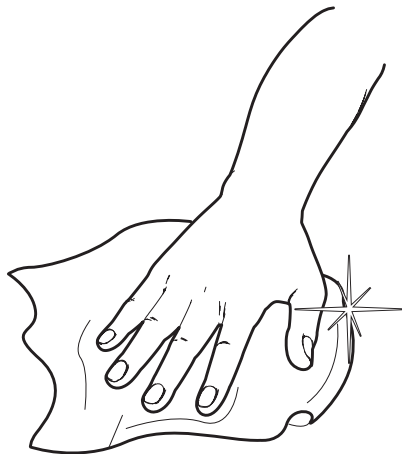
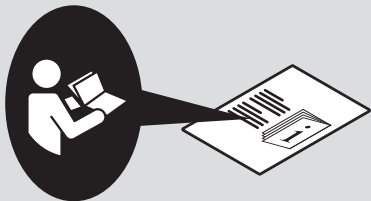


i



min. 20 cm





Artemide®



Artemide

via Bergamo, 18
20010 Pregnana M.se (MI)
ITALIA

tel. +39 02 935 181
fax +39 02 935 90 254
fax +39 02 935 90 496

www.artemide.com

VAT IT00846890150

cod. Y513001362A