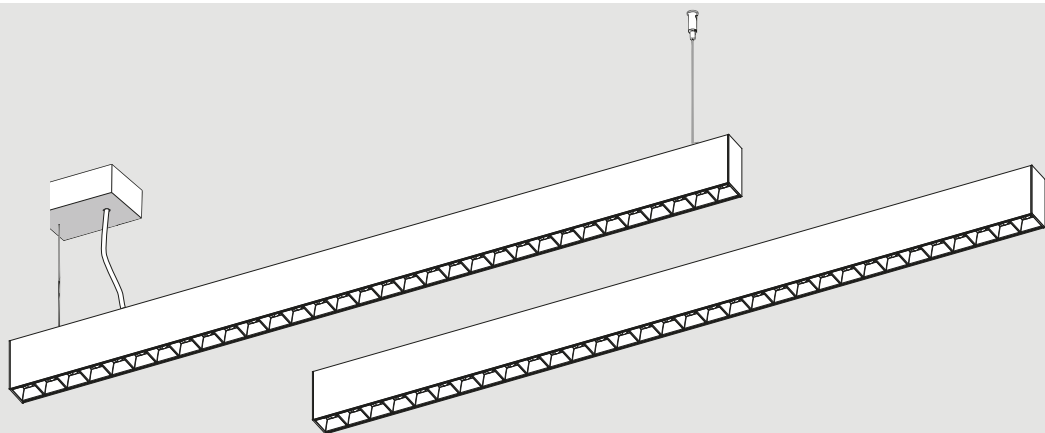


A.39 SHARP REFRACTIVE CEILING AND SUSPENSION

design
C. de Bevilacqua

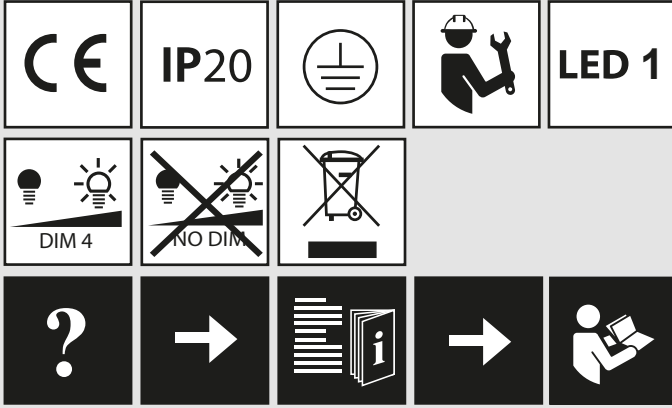


TYPE	ND/DALI	LENGHT	POWER [W]	Inom [A]	Inrush current [A]	Inrush current time [msec]
	<p>NO DIM</p>	1184	35	0.16	20	284
		1482	43	0.19	20	284
		2368	70	0.31	40	284
		2960	86	0.33	40	284
	<p>DIM 4</p>	1184	35	0.13	25.1	214
		1482	43	0.18	25.1	214
		2368	70	0.30	50.2	214
		2960	86	0.38	50.2	214
	<p>NO DIM</p>	1184	58	0.26	33	284
		1482	74	0.33	33	284
		2368	120	0.50	61	284
		2960	153	0.65	61	284
	<p>DIM 4</p>	1184	58	0.25	51.1	214
		1482	74	0.31	51.1	214
		2368	120	0.50	75.2	214
		2960	153	0.63	75.2	214

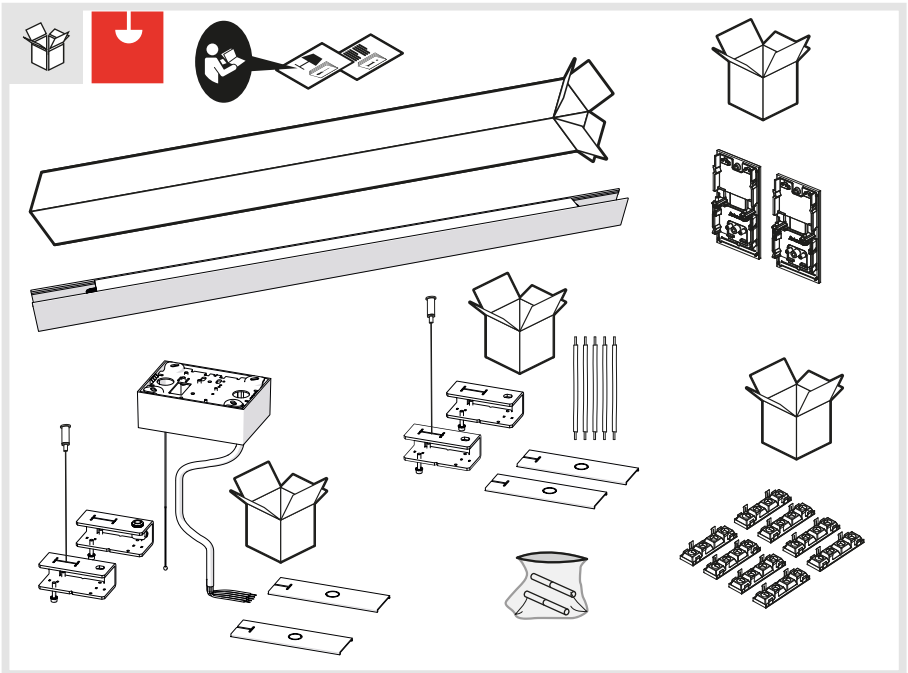


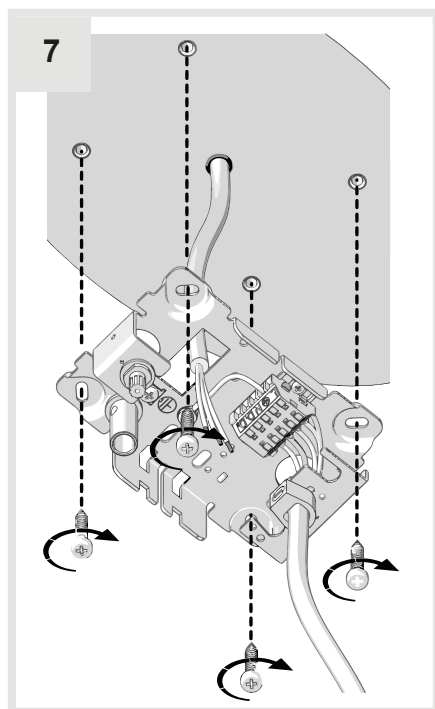
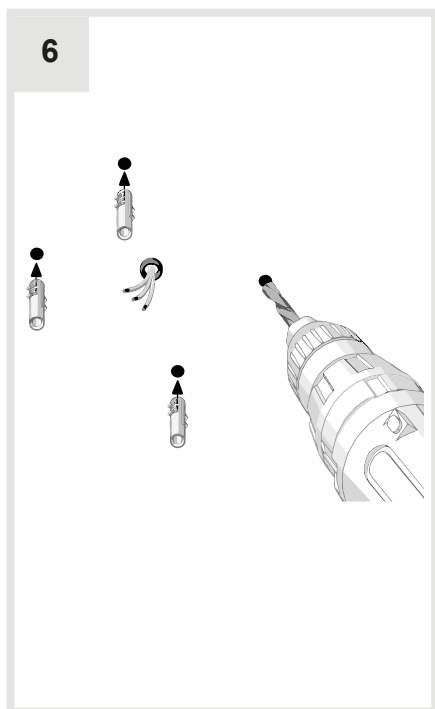
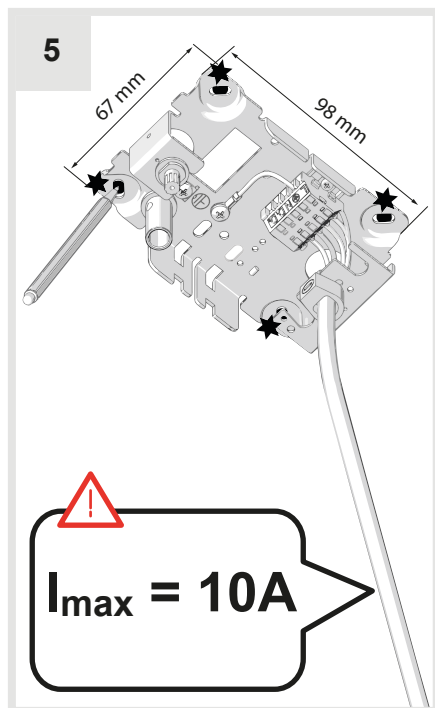
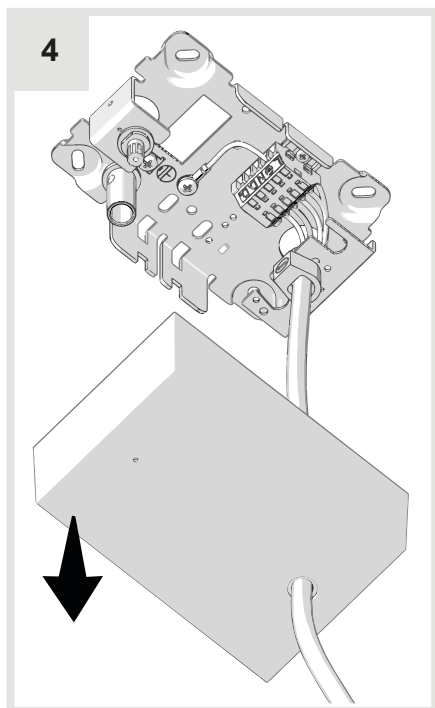


i

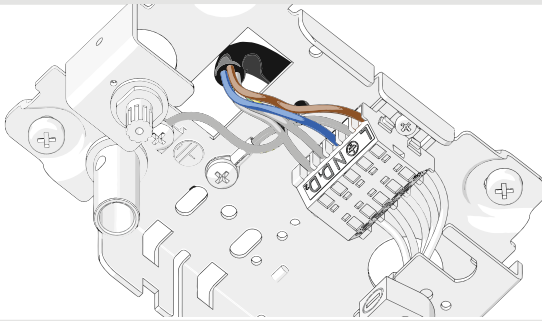


A. 39 SUSPENSION

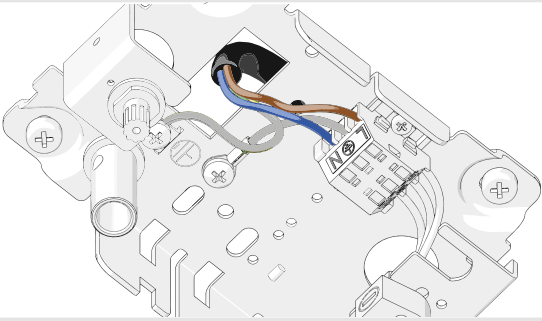




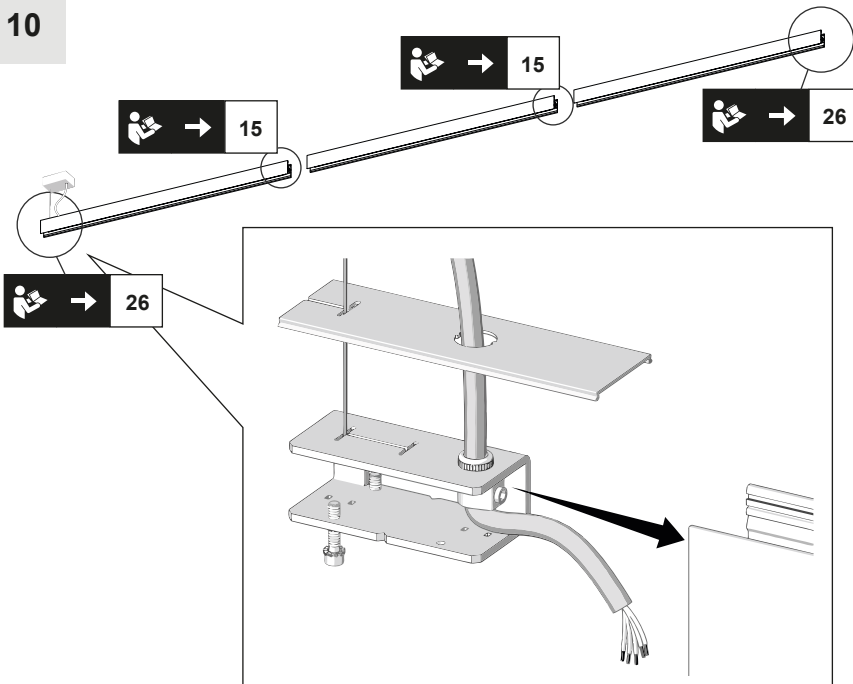
8



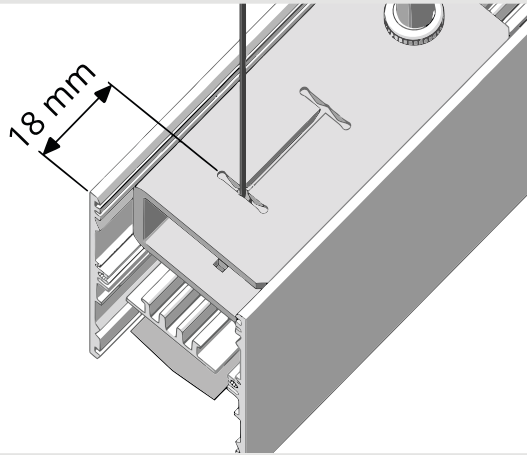
9



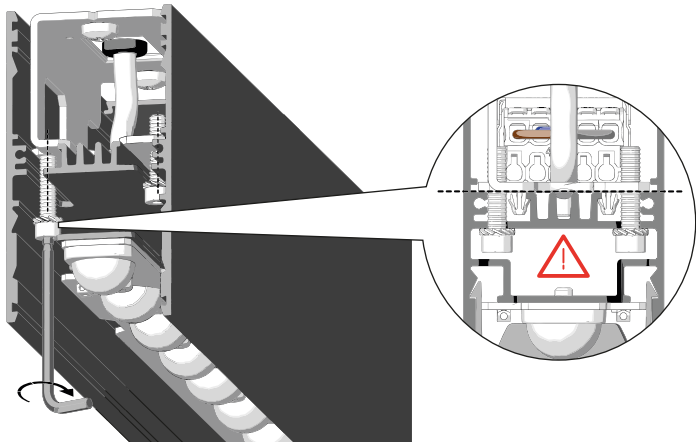
10



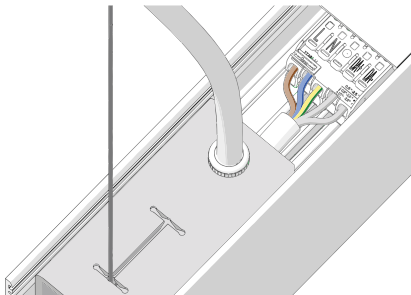
11



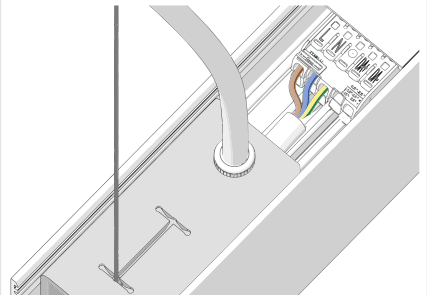
12



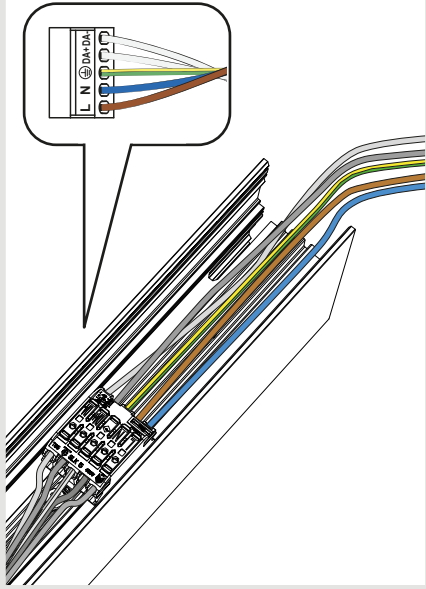
13a



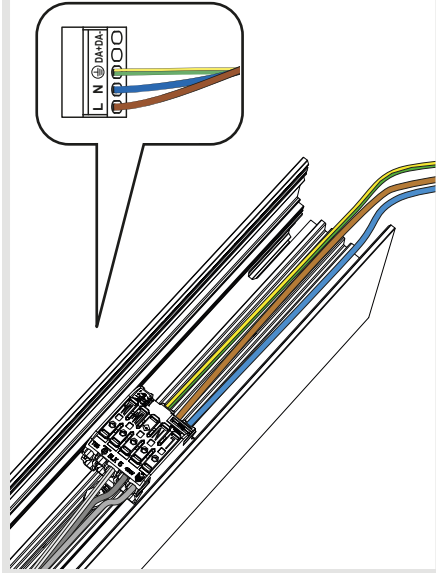
13b



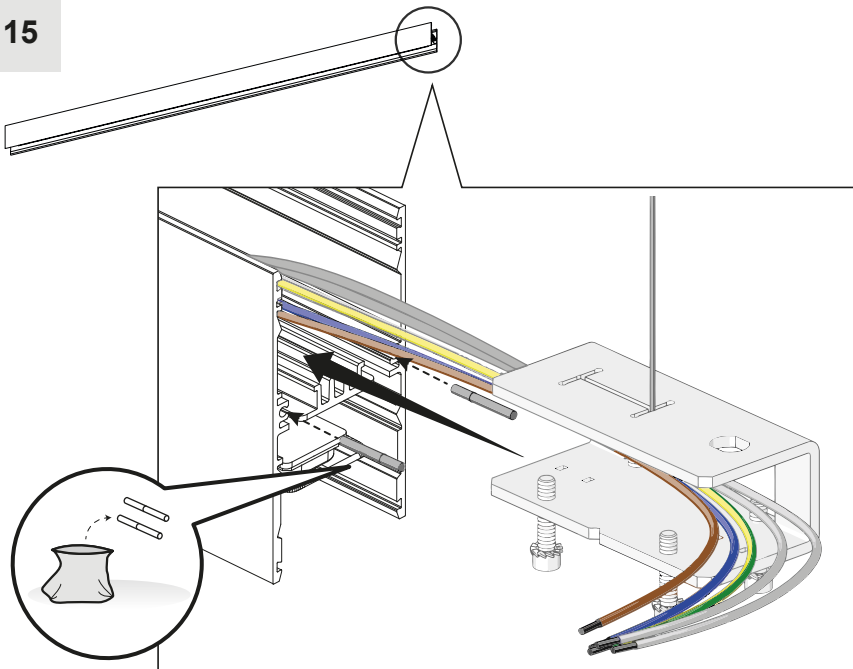
14a



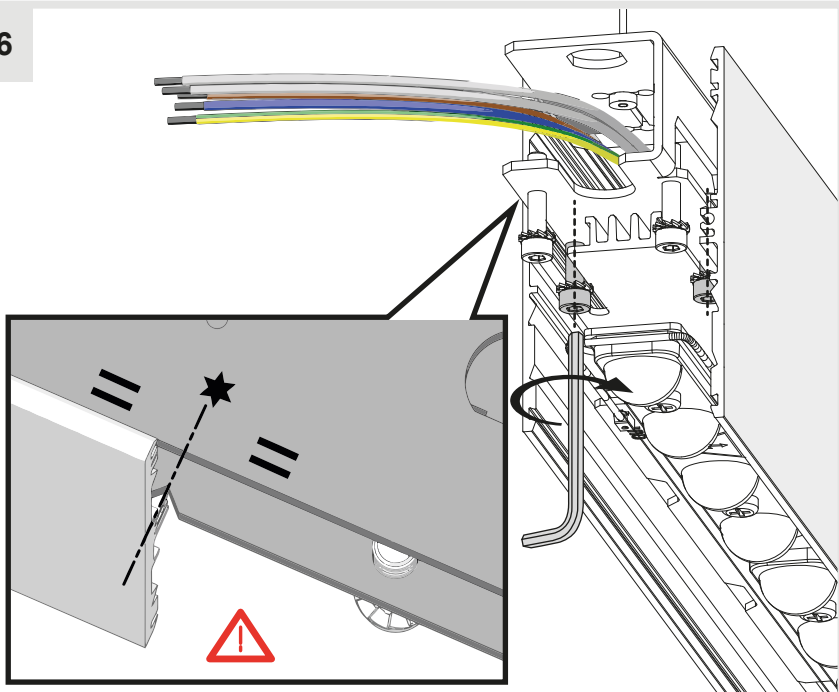
14b



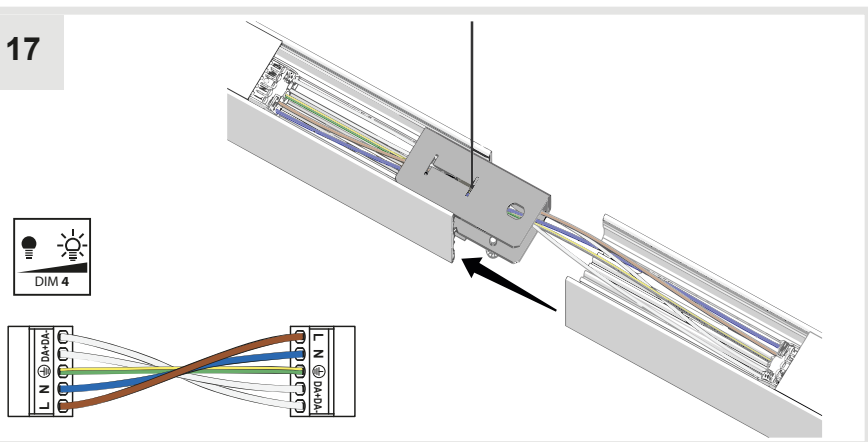
15



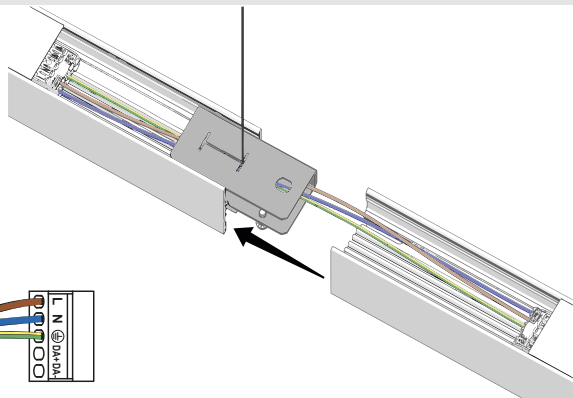
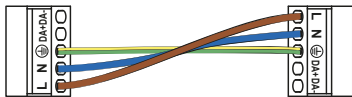
16



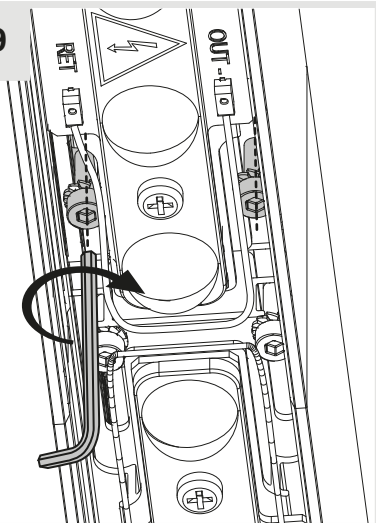
17



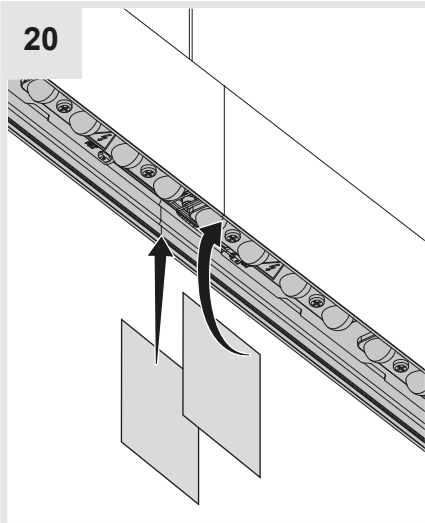
18



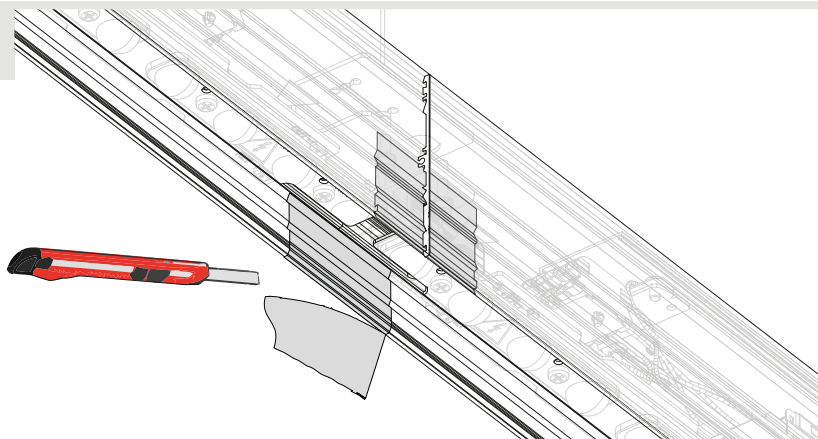
19



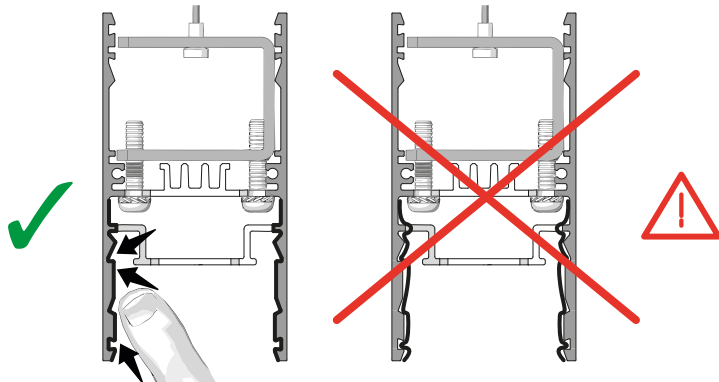
20



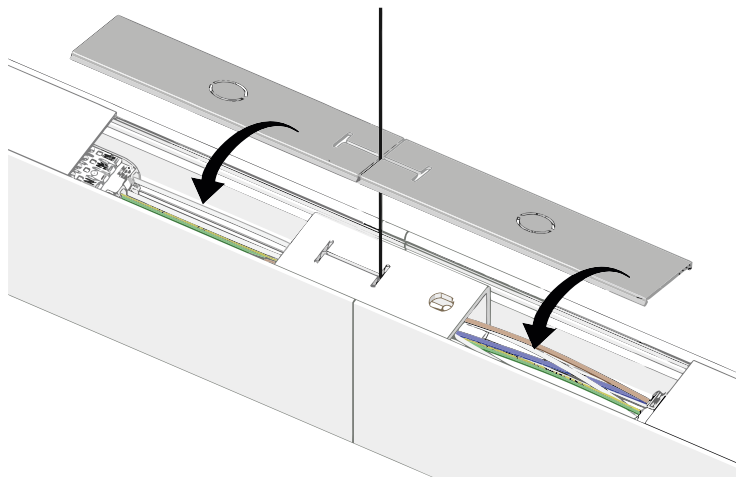
21



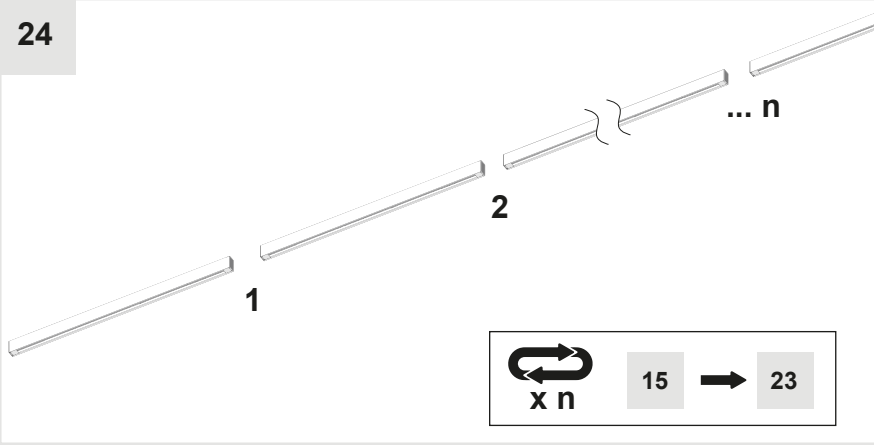
22



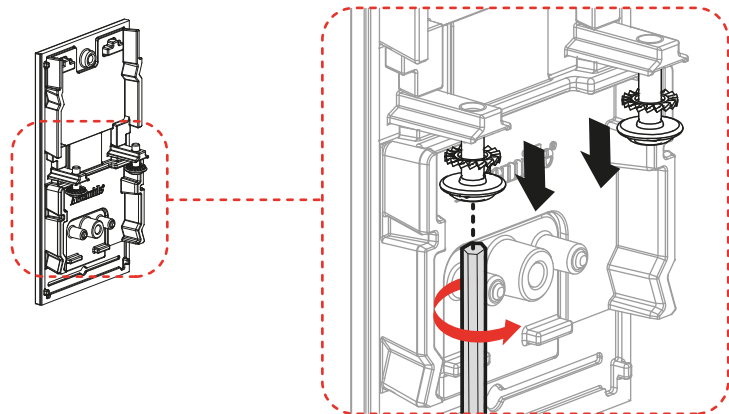
23



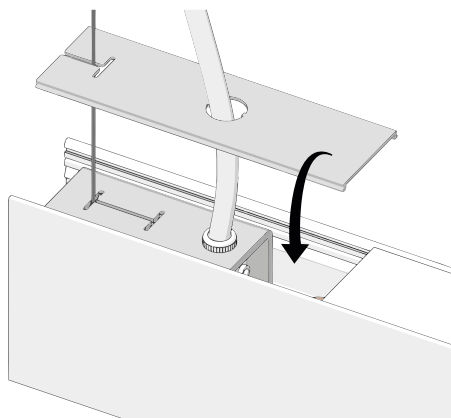
24



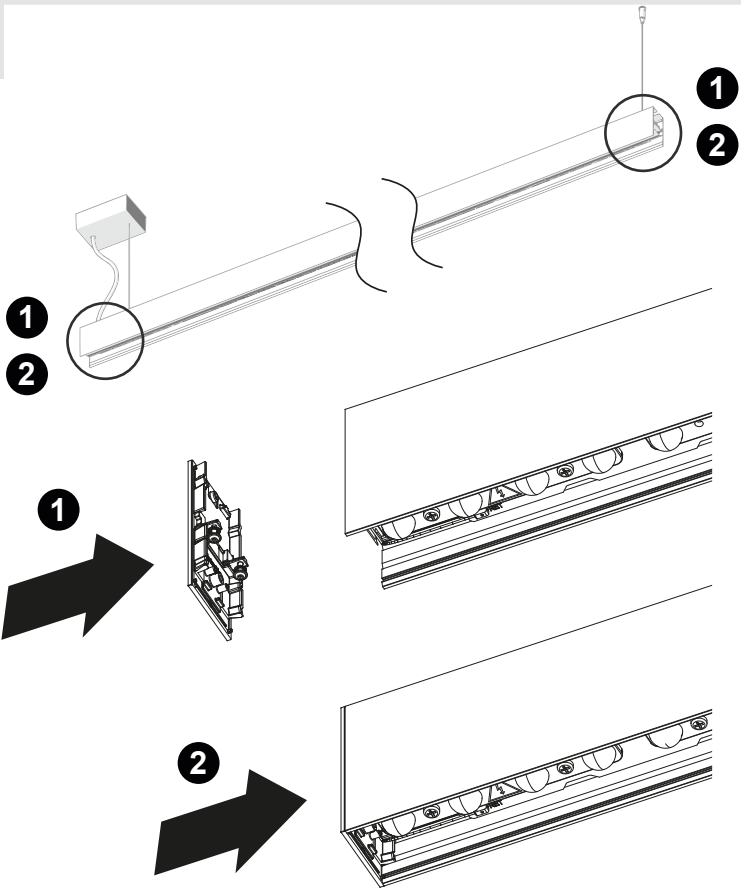
25



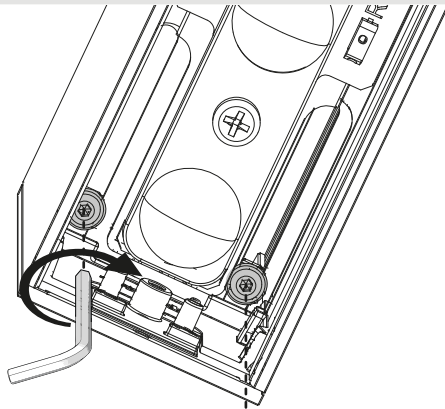
26

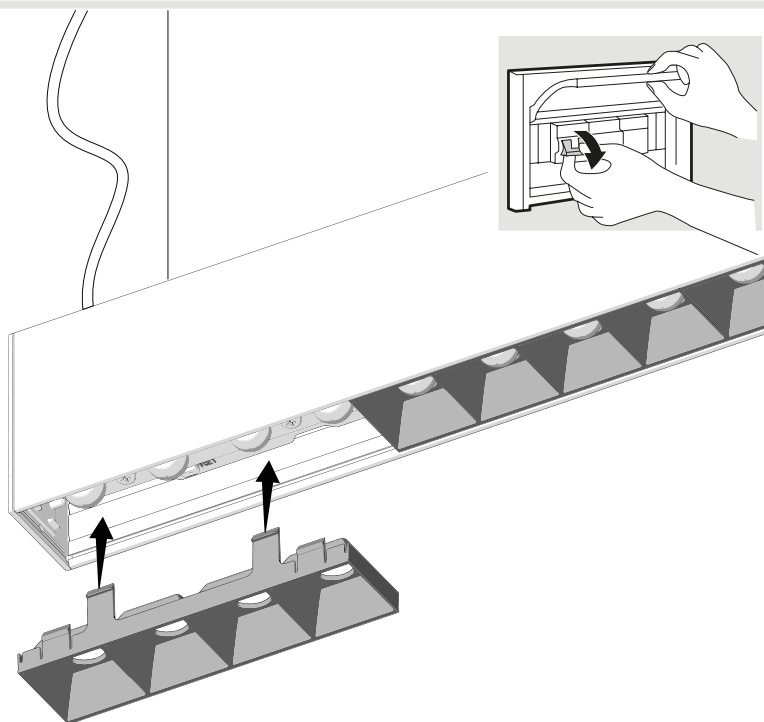


27



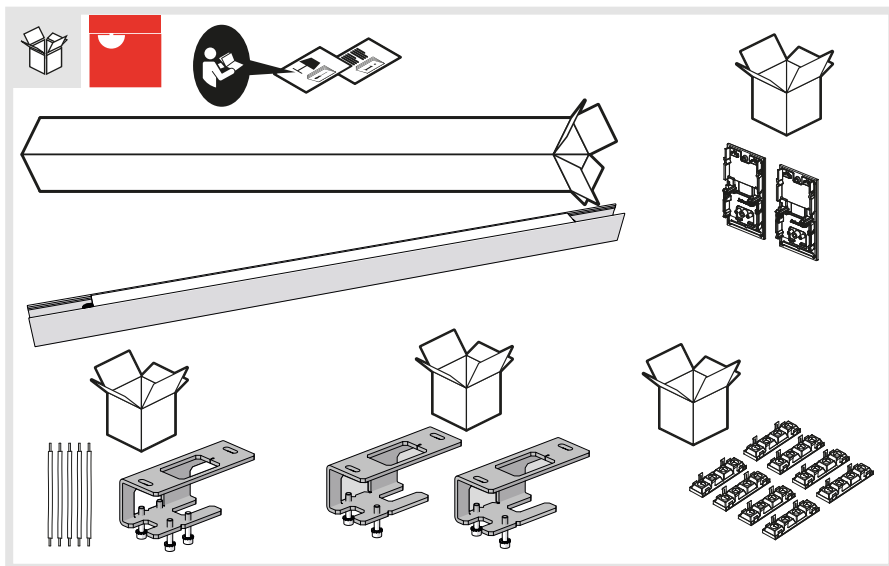
28







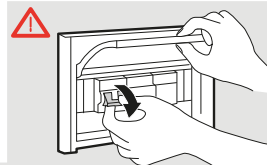
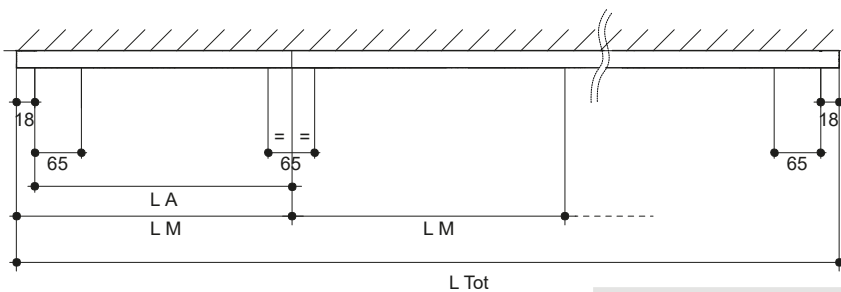
A. 39 CEILING



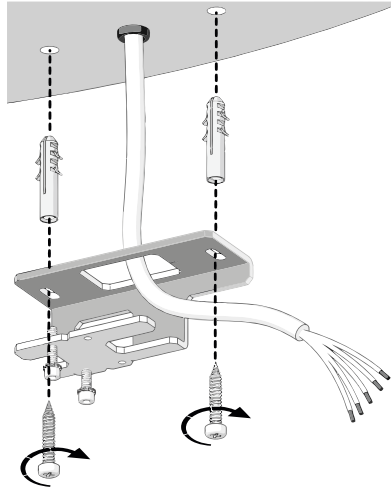
1

CEILING DRILING LAY-OUT

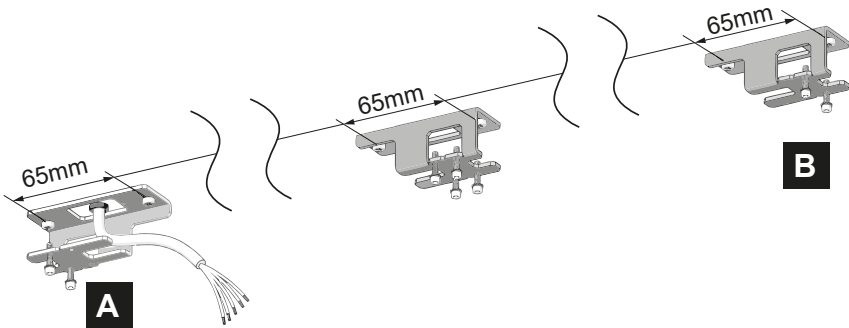
LM [mm]	LA [mm]	⚖ Kg
1184	LM-18 mm	2,3
1480		2,9
2368		4,4
2960		5,7



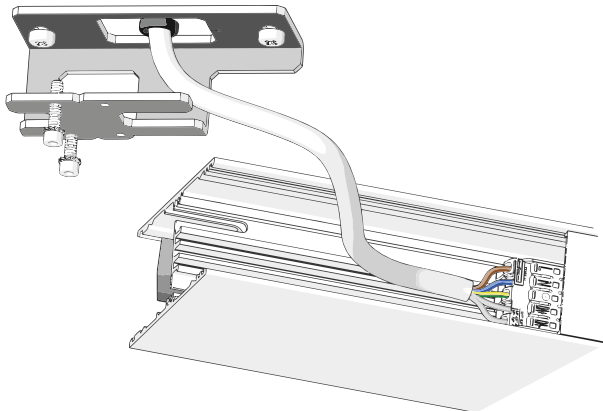
2



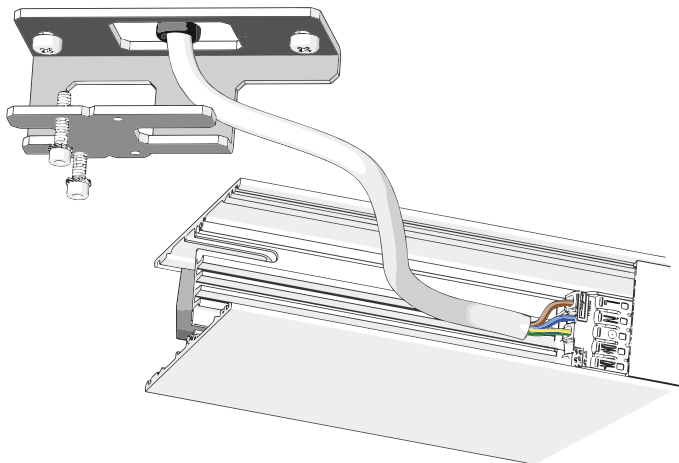
3



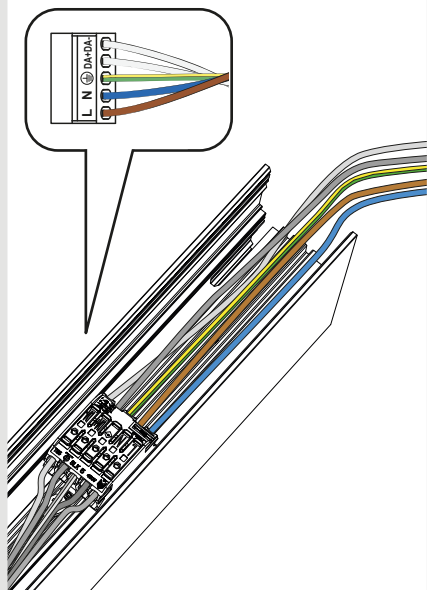
4a



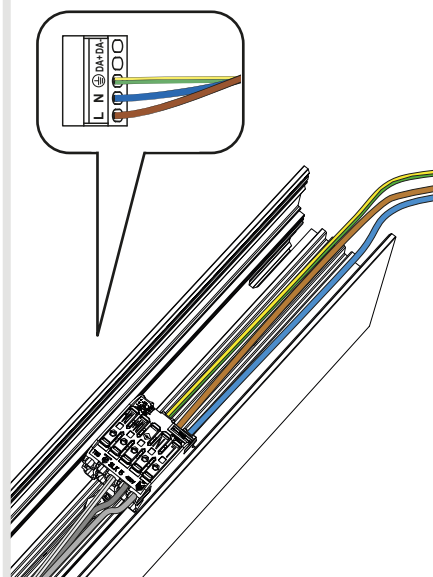
4b



5a

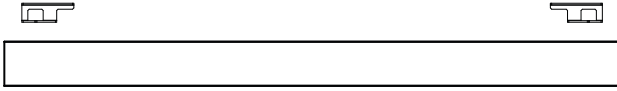


5b

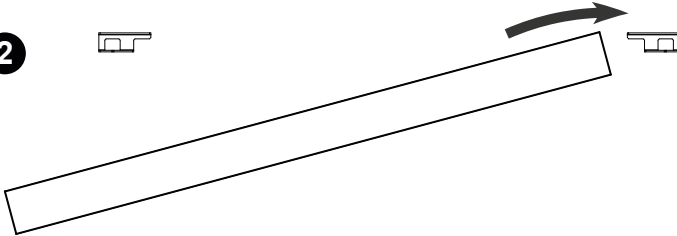


i

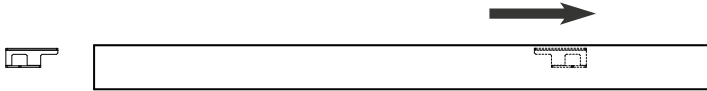
1



2



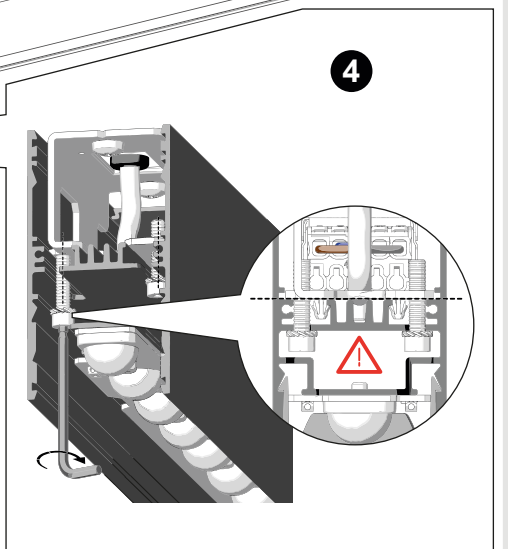
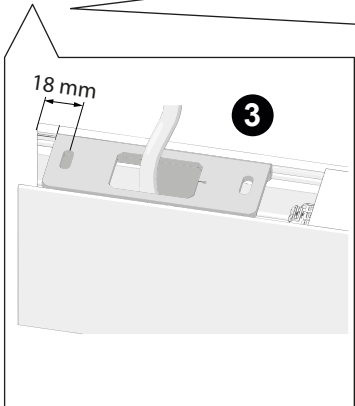
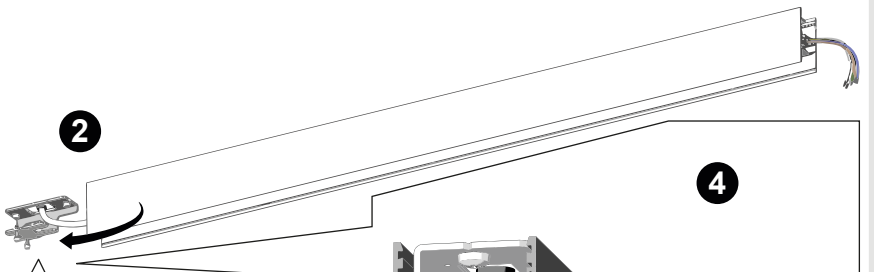
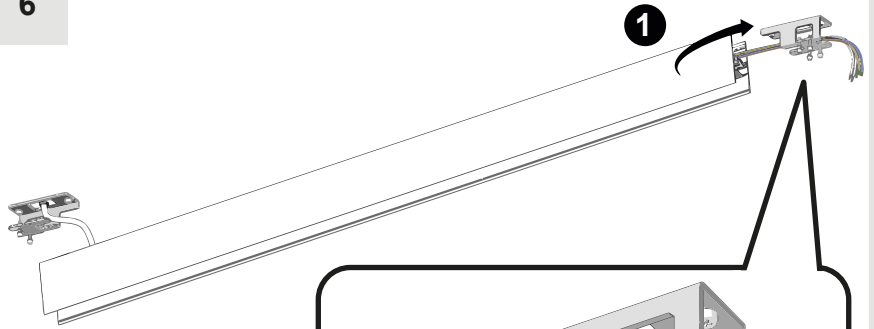
3



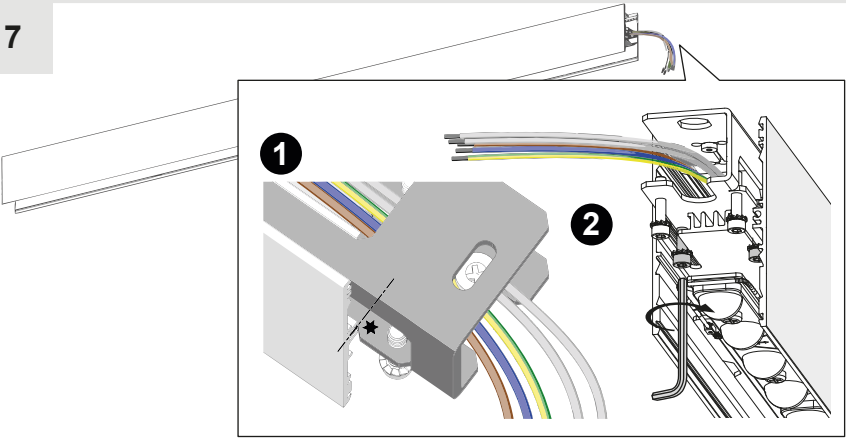
4



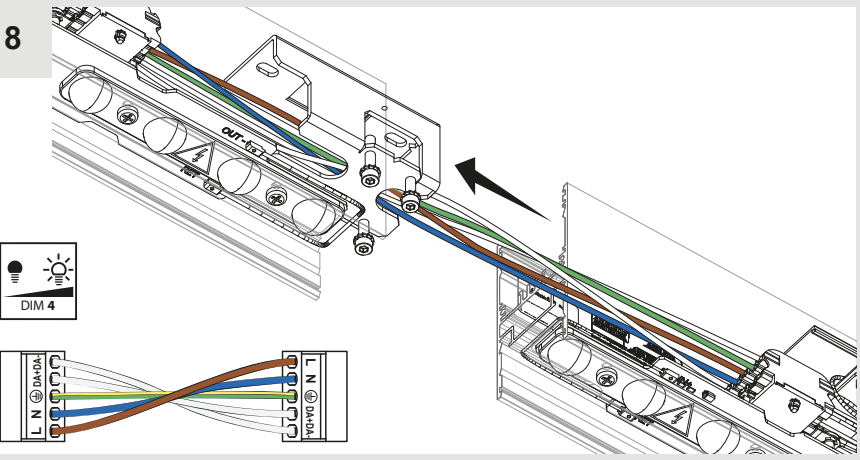
6



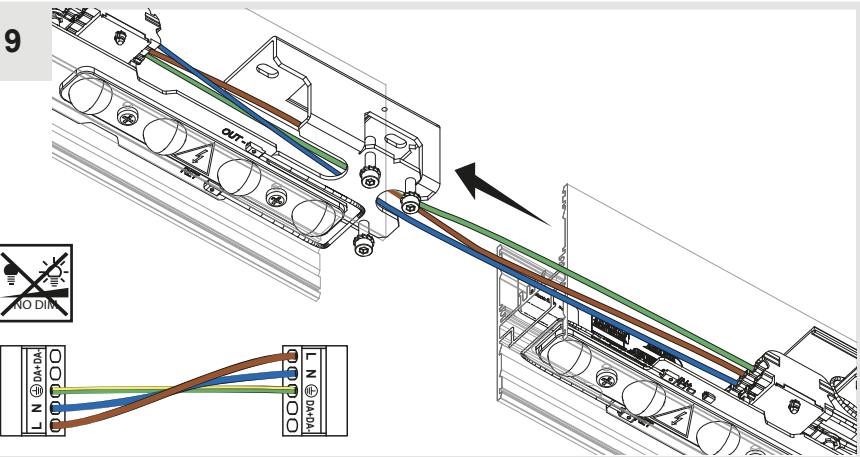
7



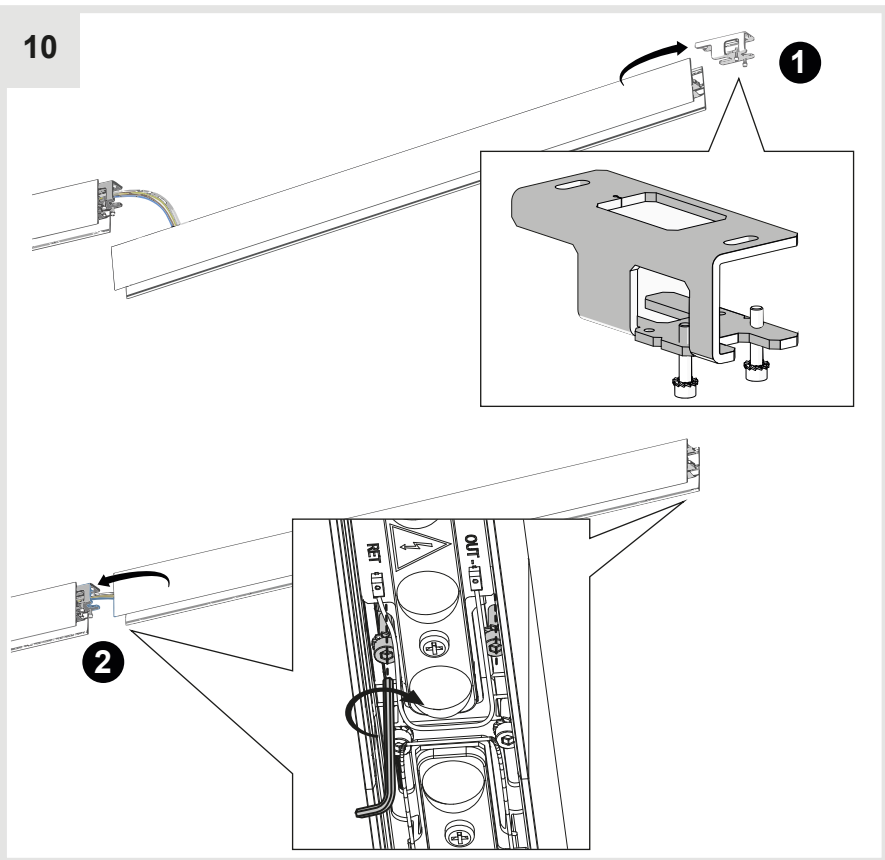
8



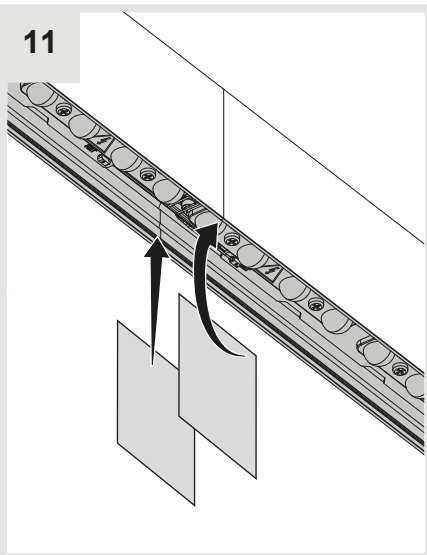
9



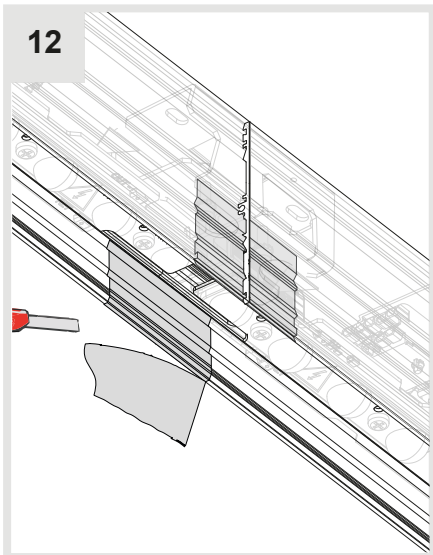
10



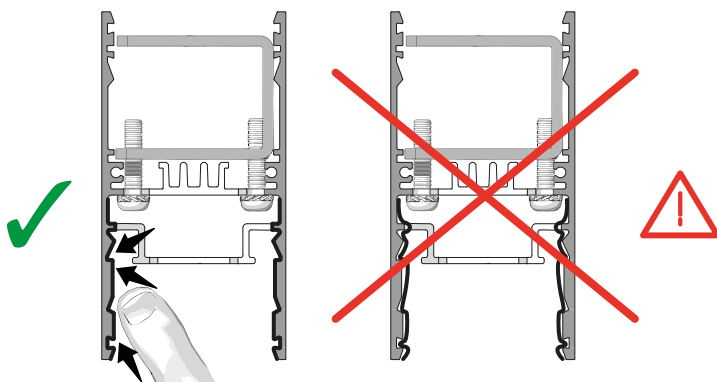
11



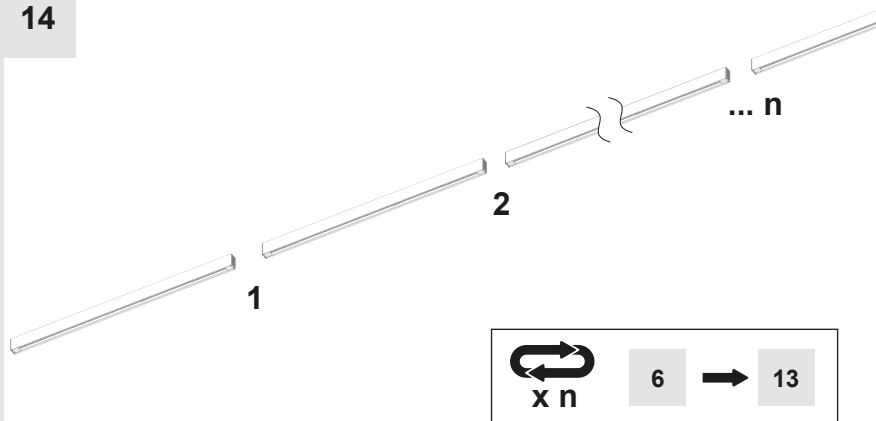
12



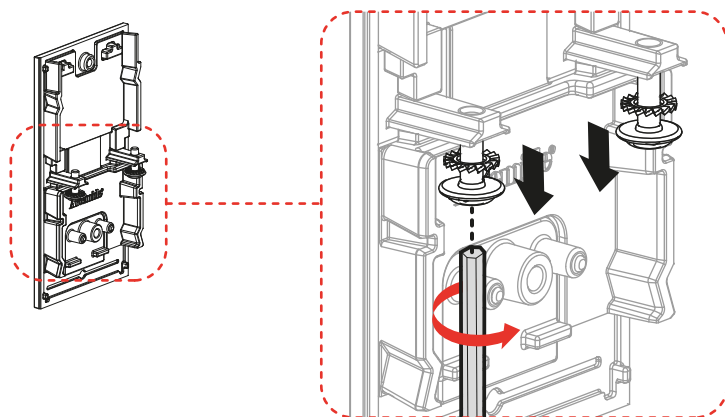
13



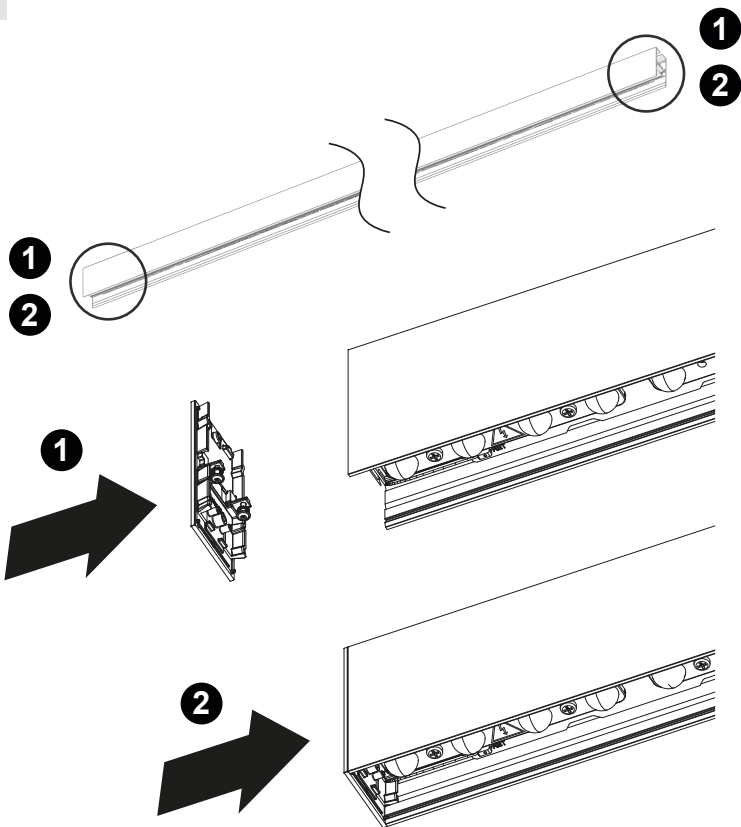
14



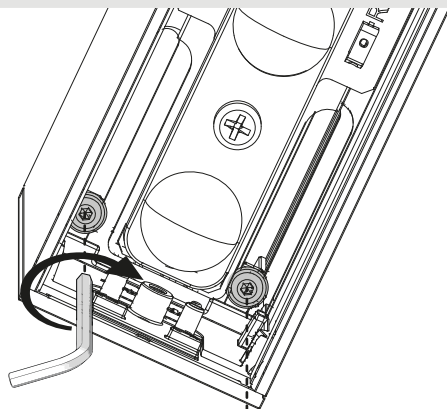
15

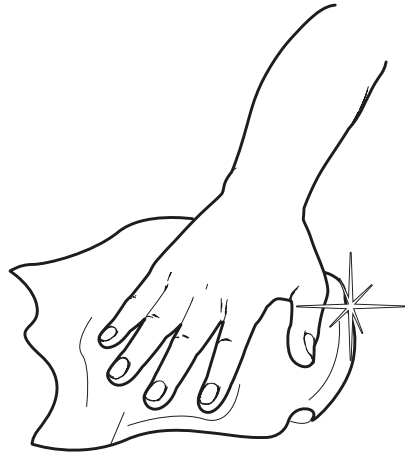
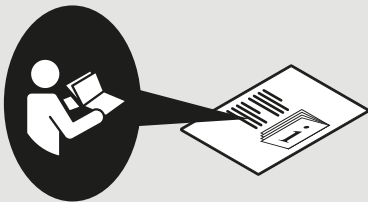
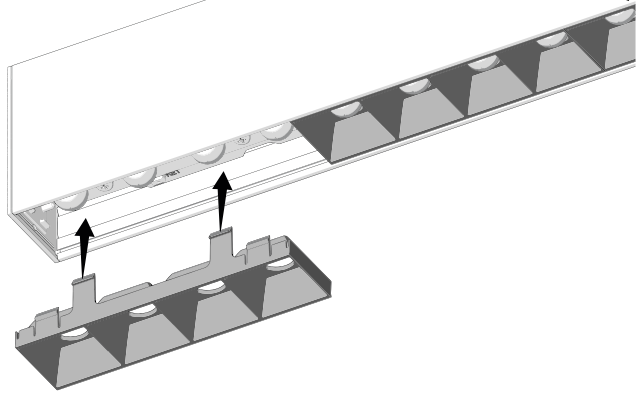
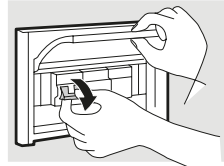


27



28







Artemide Spa

via Bergamo, 18
20006 Pregnana M.se (MI)
ITALIA

Tel. +39 02 935 181
Fax +39 02 935 90 254
Fax +39 02 935 90 496

www.artemide.com

VAT IT00846890150