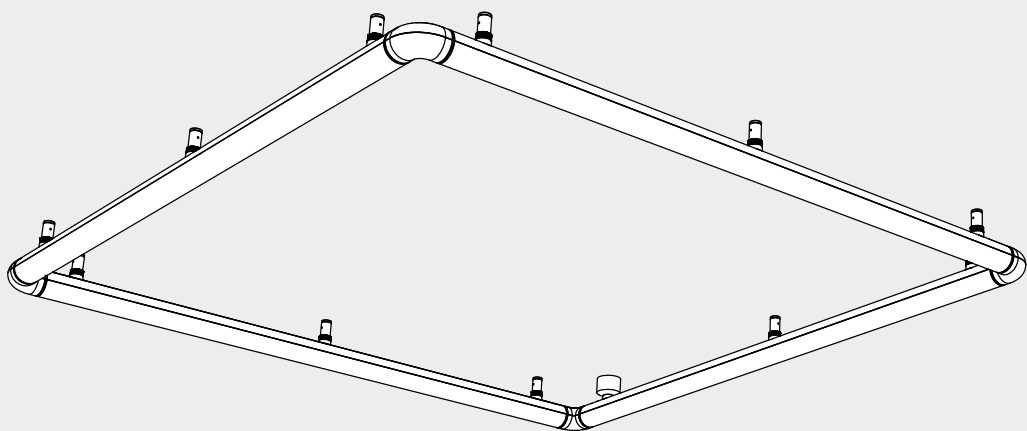


# Artemide®

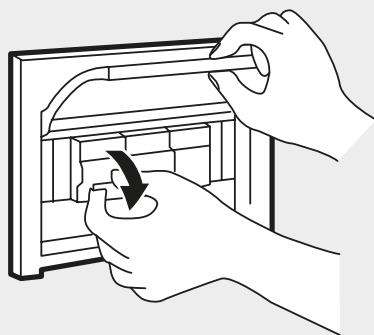
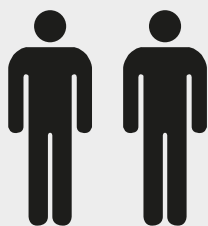
## ALPHABET OF LIGHT SQUARE 120x120 SR

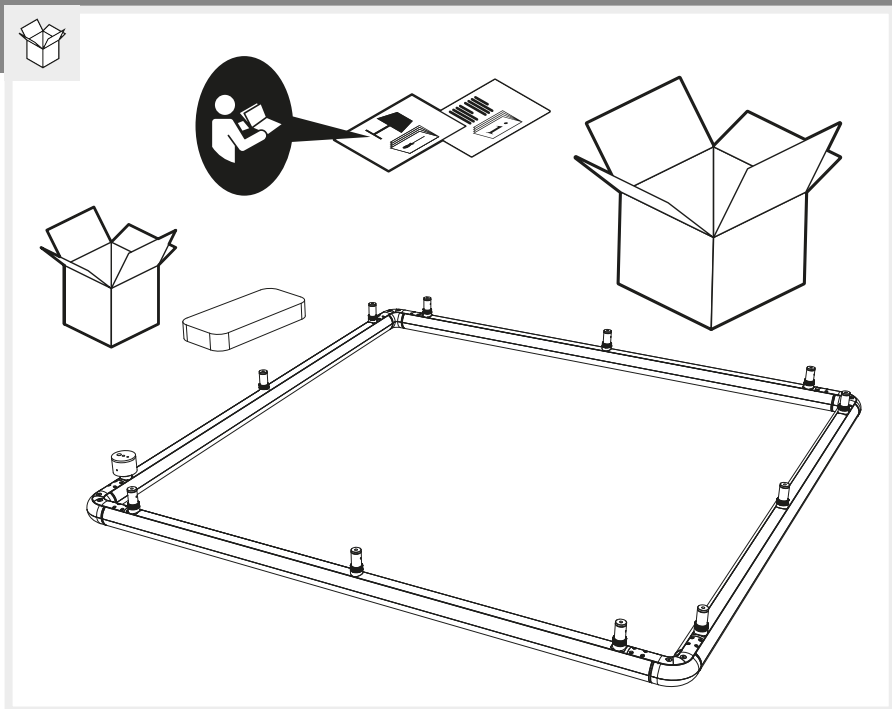
design  
BIG



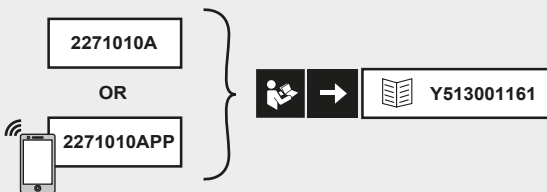
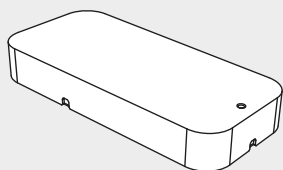


i





**i**

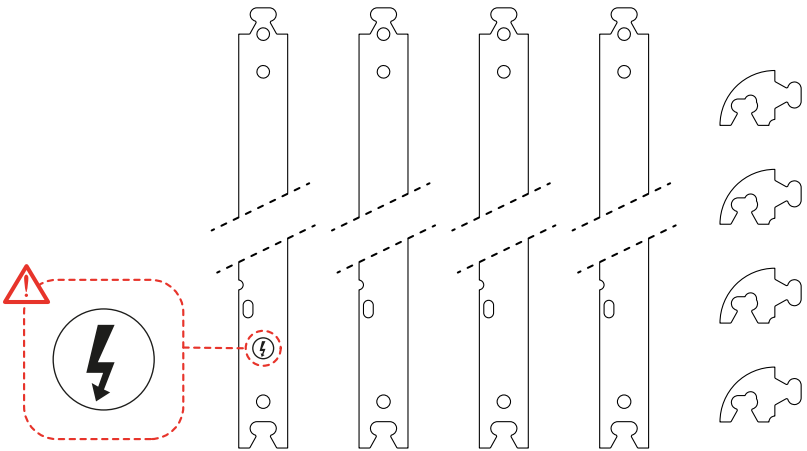
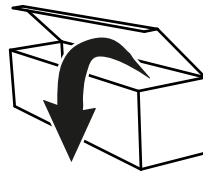
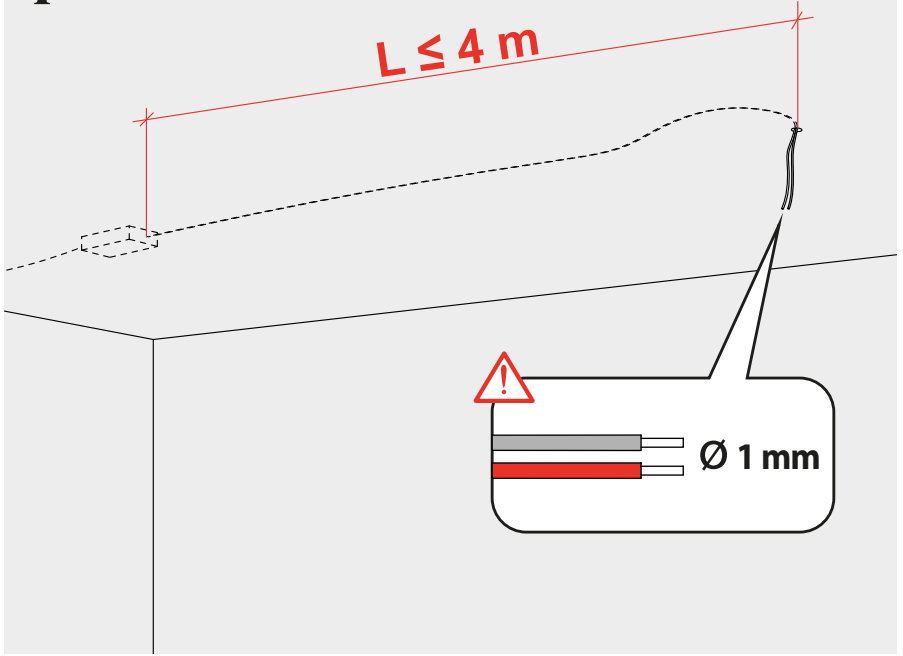


**OR**

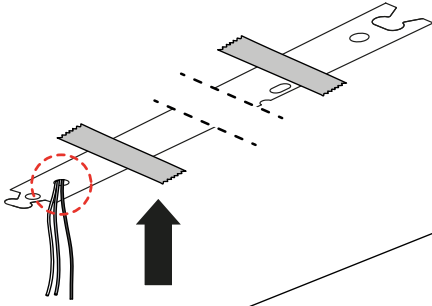


**i**

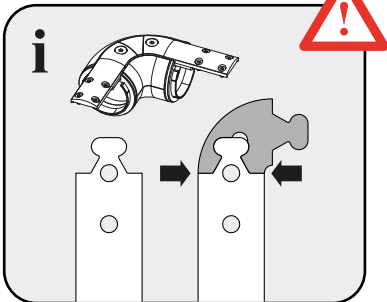
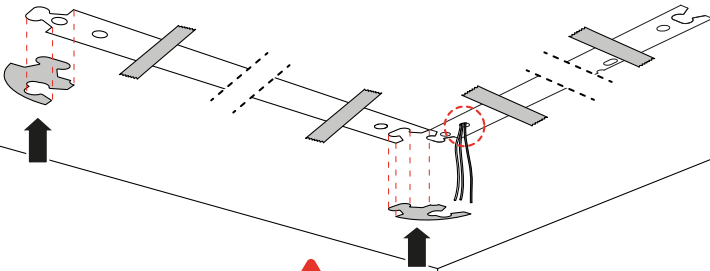
$L \leq 4 \text{ m}$



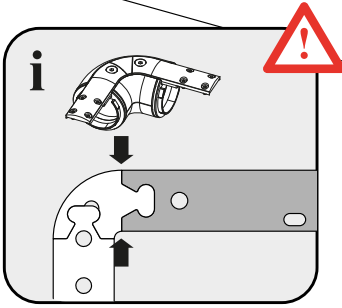
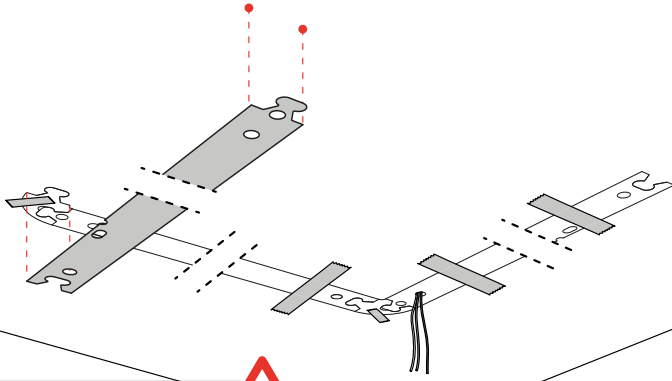
1



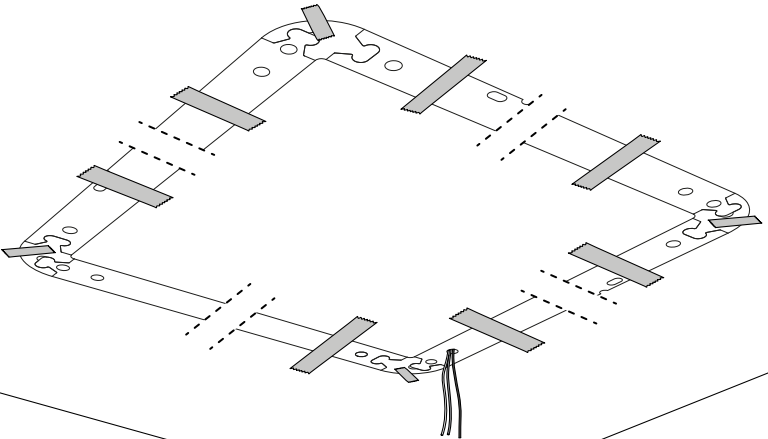
2



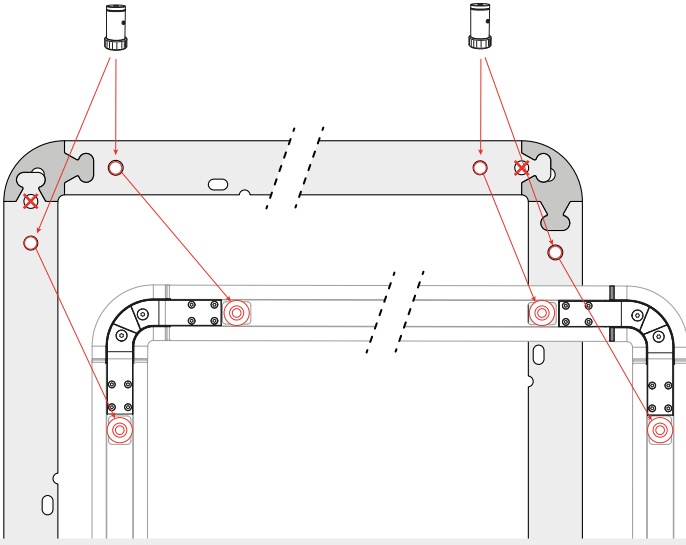
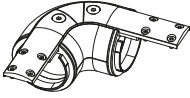
3



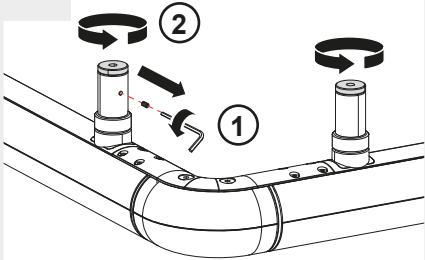
4



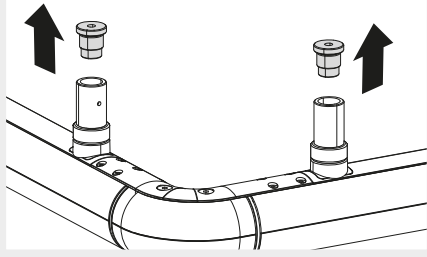
5



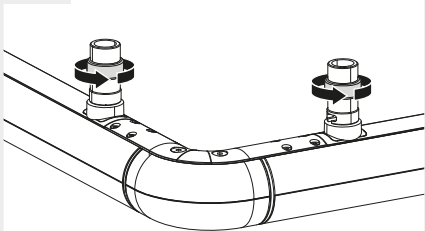
6



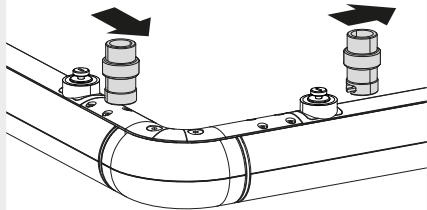
7

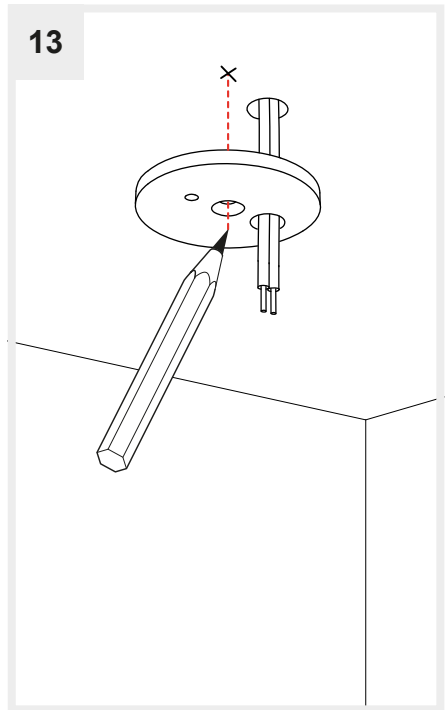
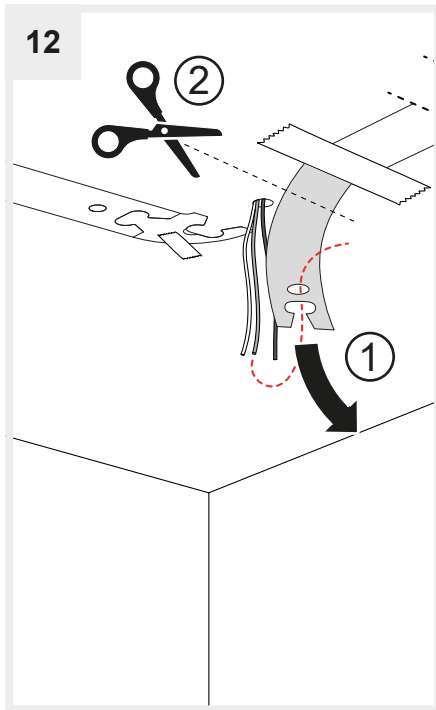
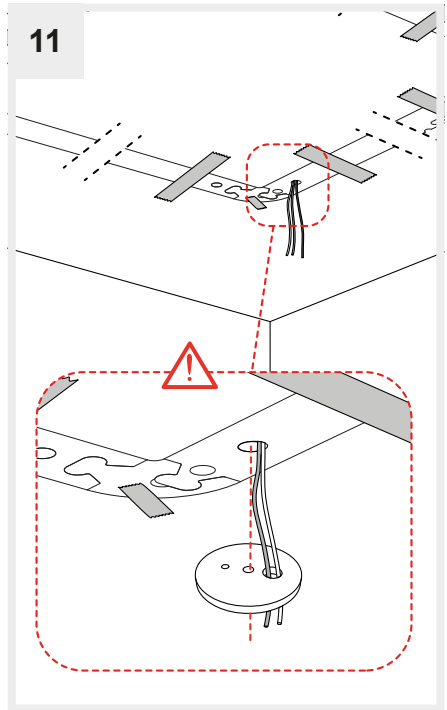
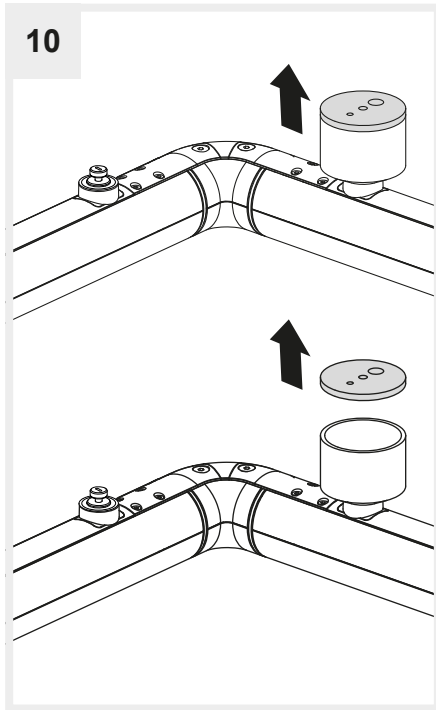


8



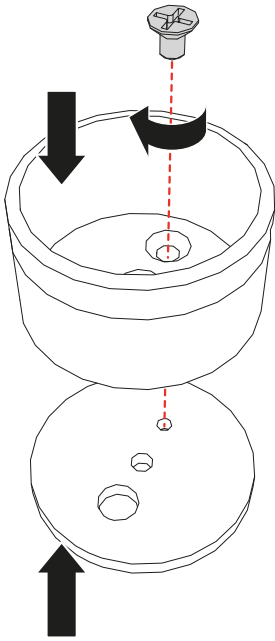
9



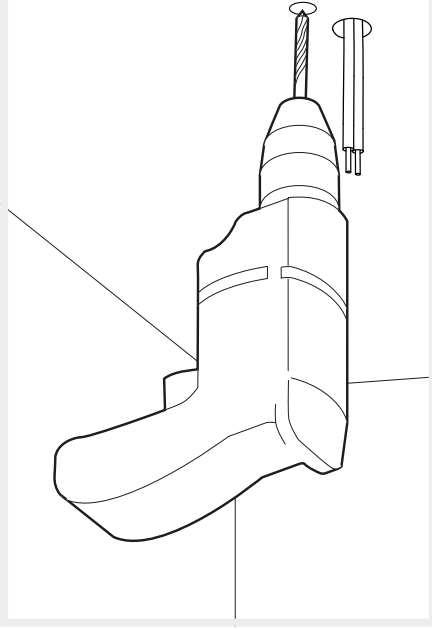




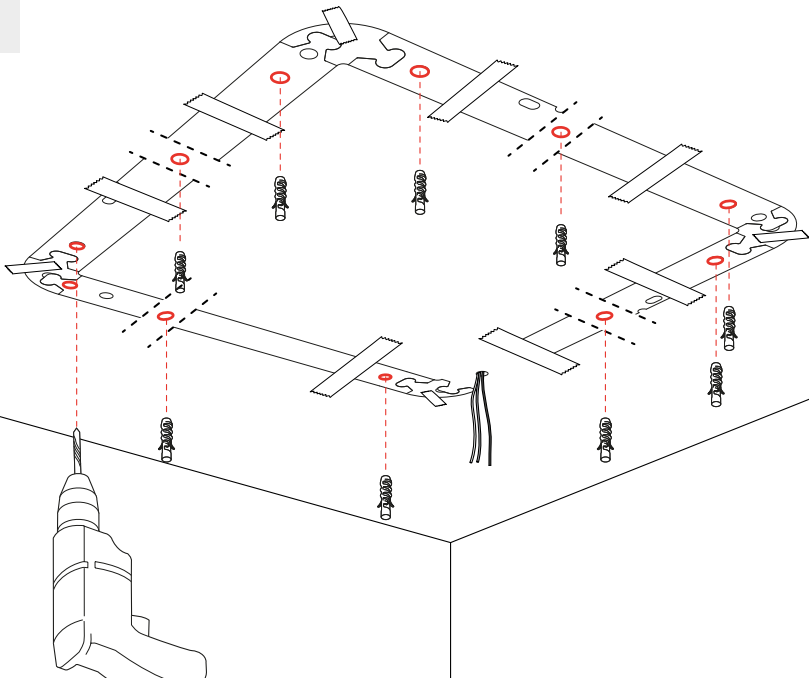
14



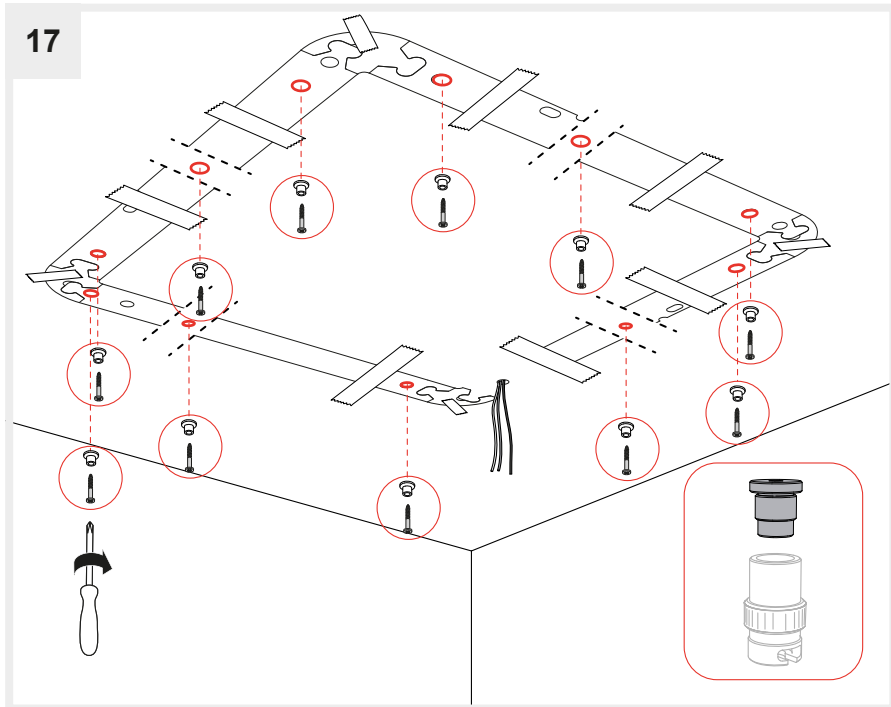
15



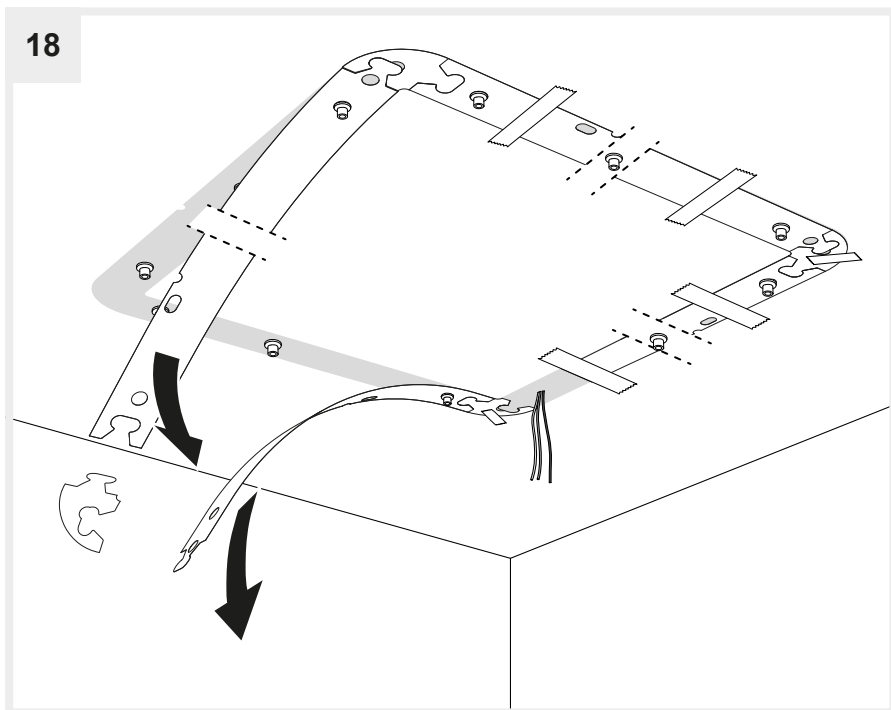
16



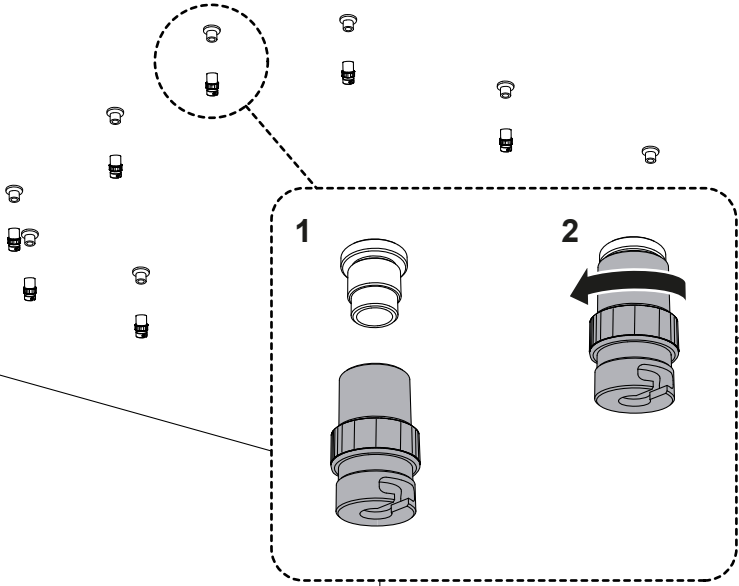
17



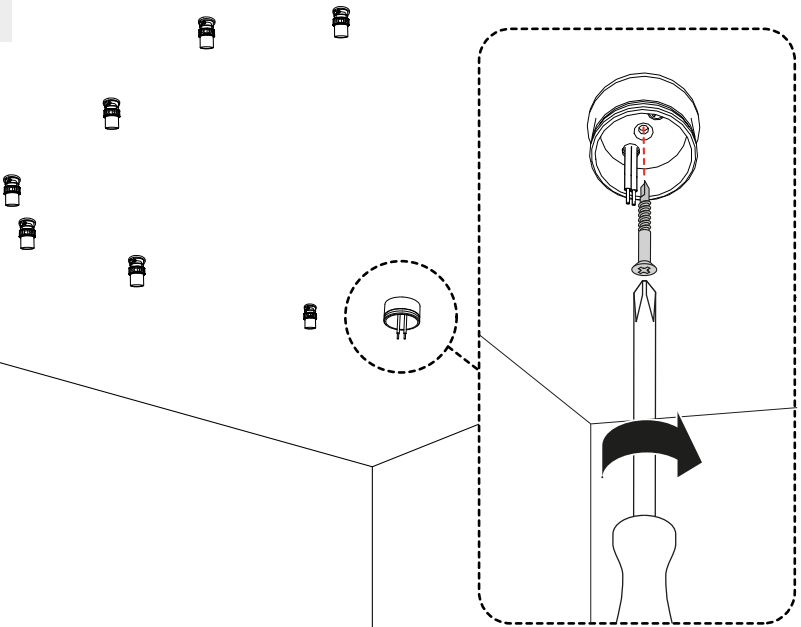
18



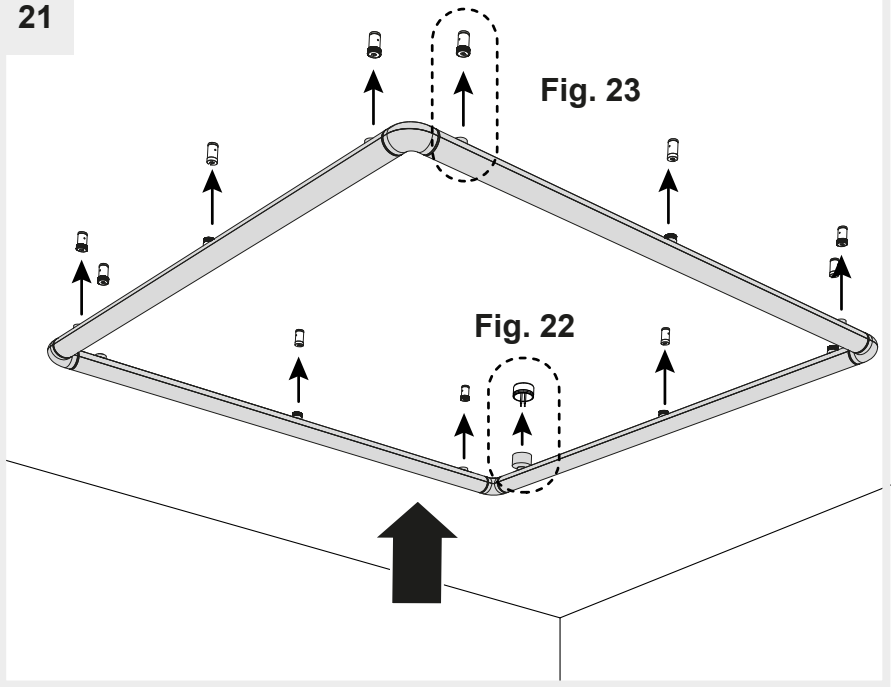
19



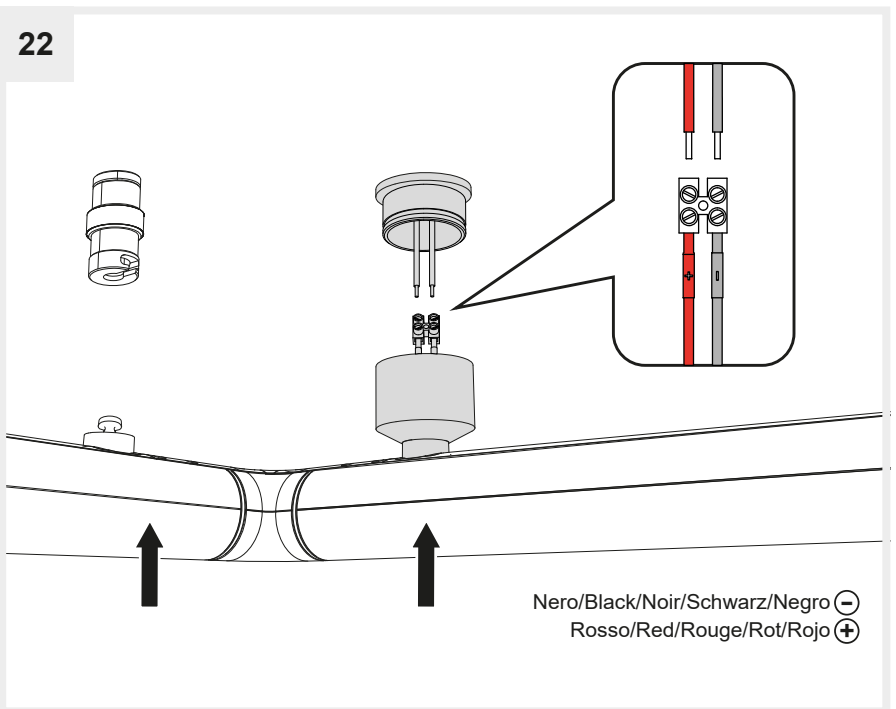
20

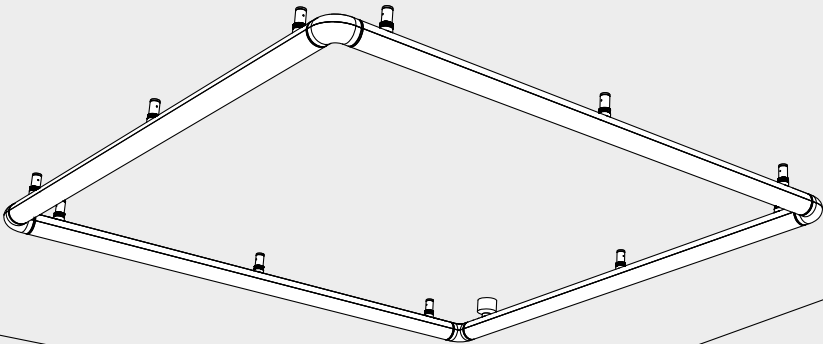
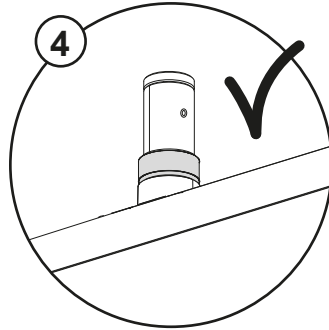
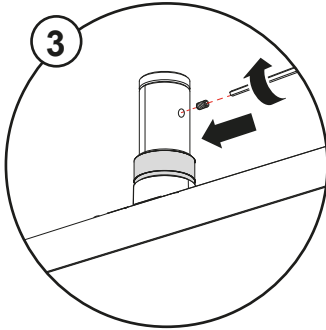
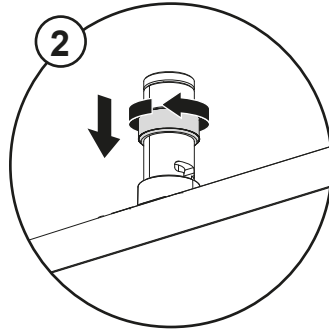
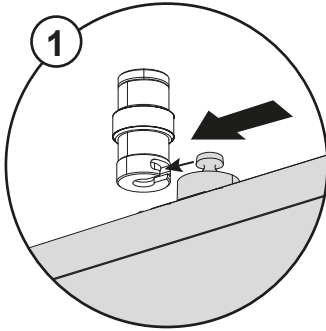


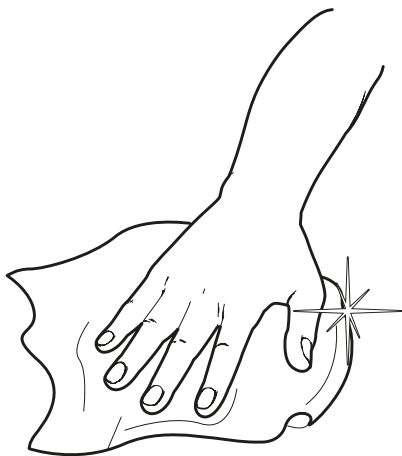
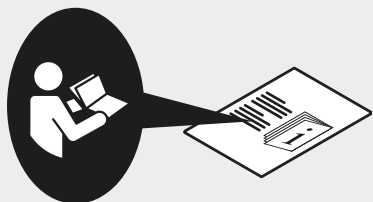
21



22

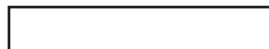








**Artemide®**



**Artemide**

via Bergamo, 18  
20010 Pregnana M.se (MI)  
ITALIA

tel. +39 02 935 181  
fax +39 02 935 90 254  
fax +39 02 935 90 496

[www.artemide.com](http://www.artemide.com)

VAT IT00846890150

cod. Y513001598