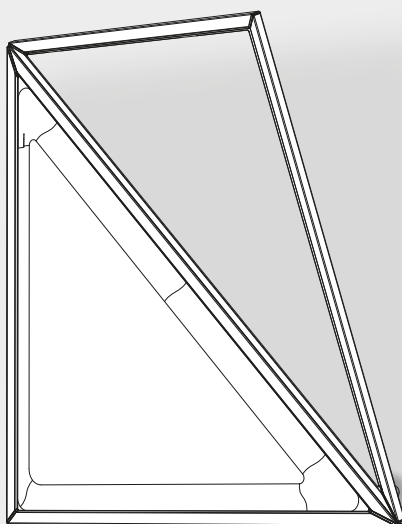
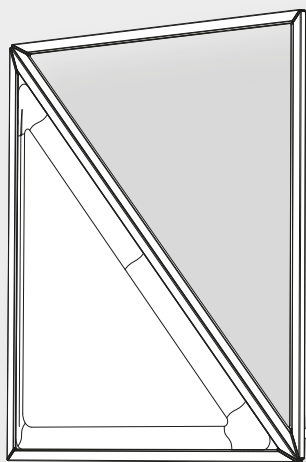


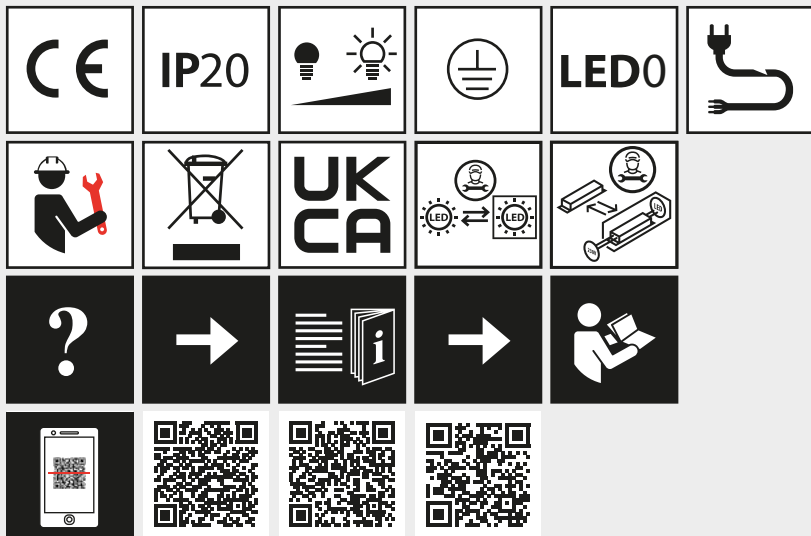
FLEXIA

design
Mario Cucinella

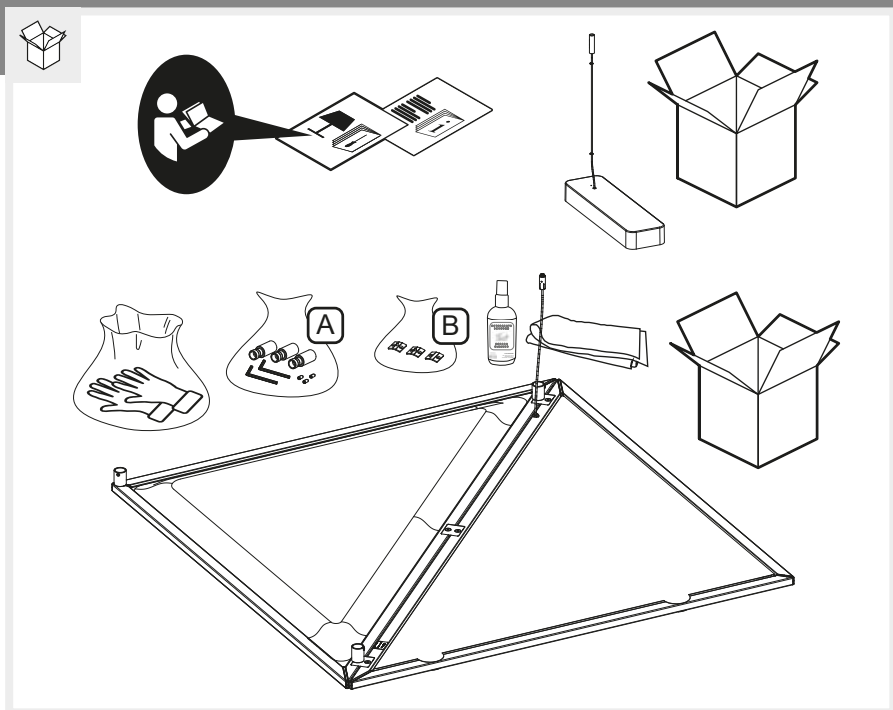


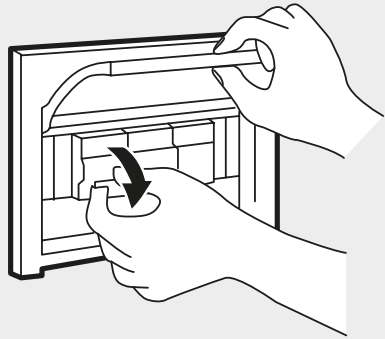
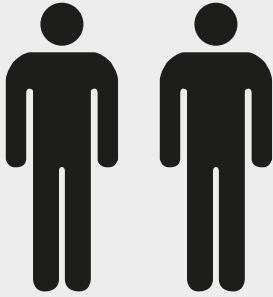


i



Artemide App
Quick Starting Guide





i

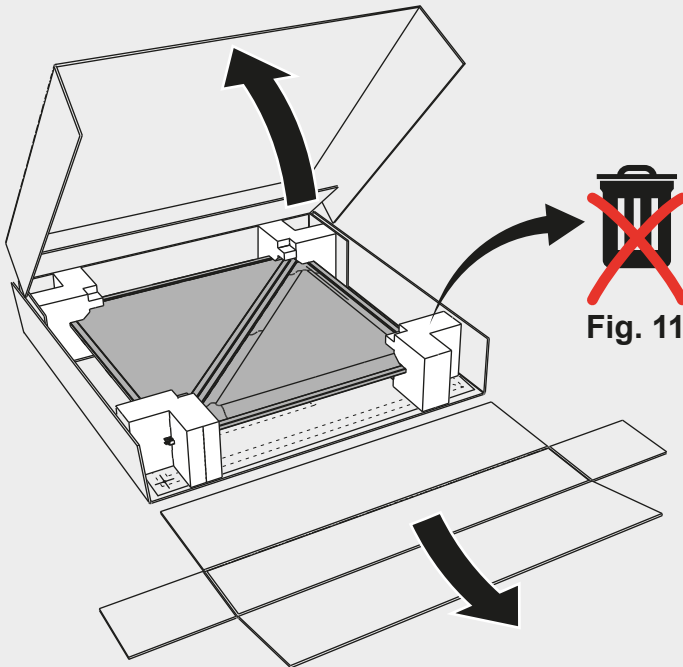
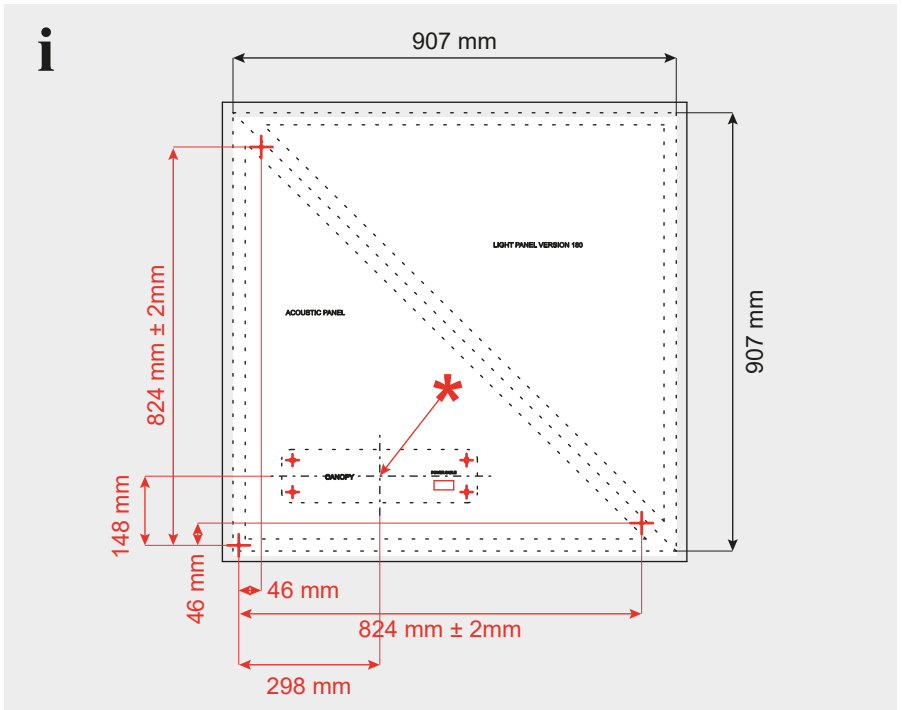
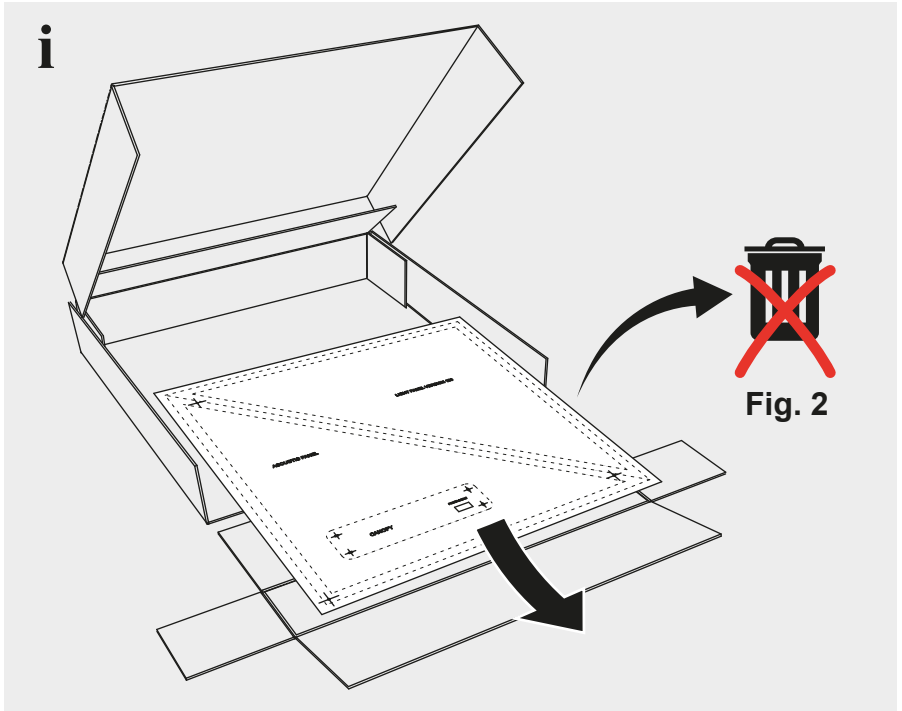
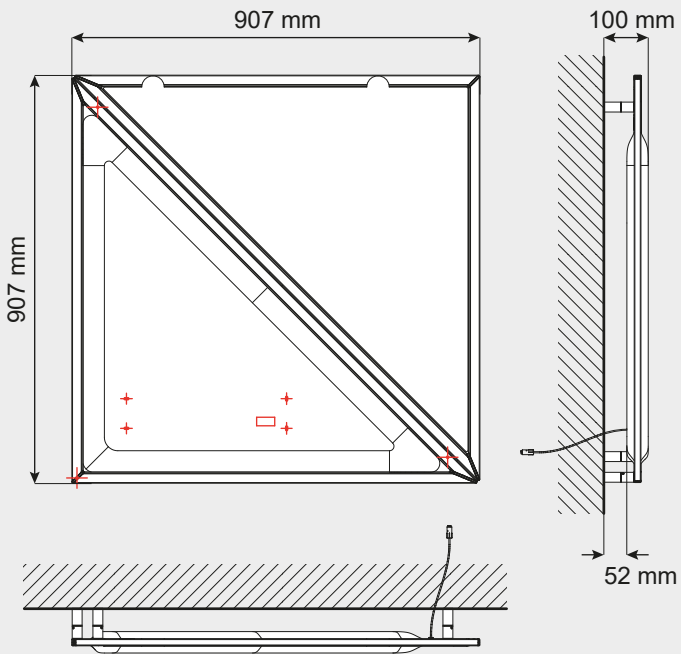
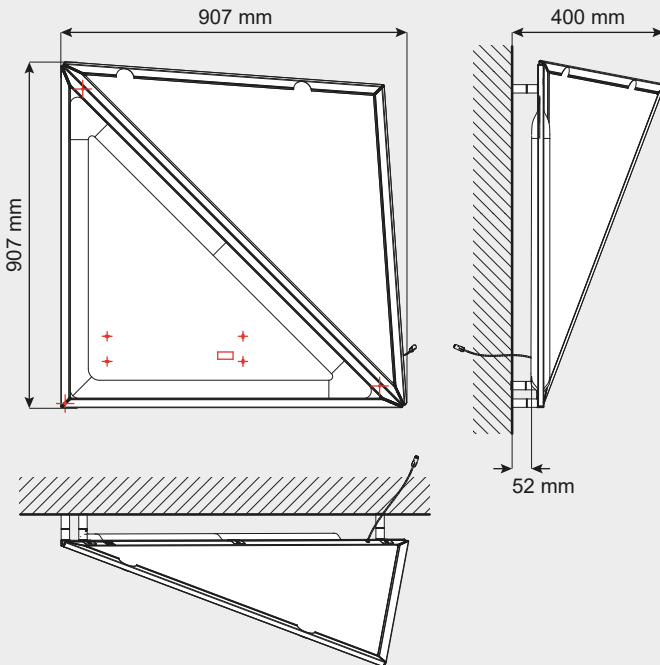
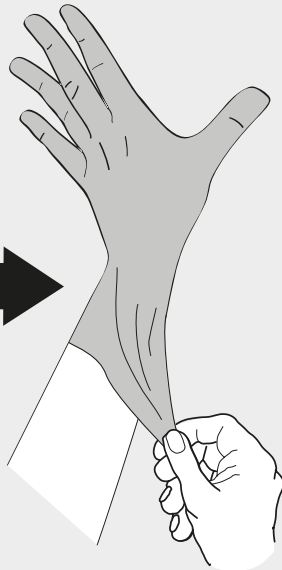
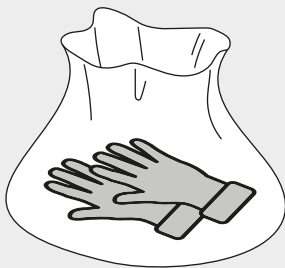
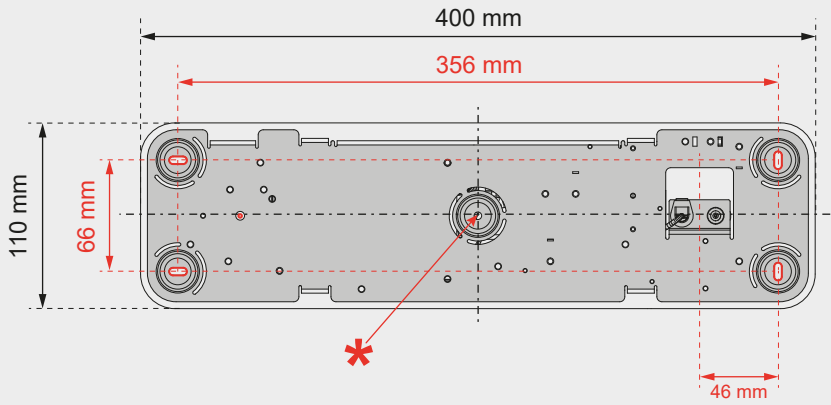


Fig. 11

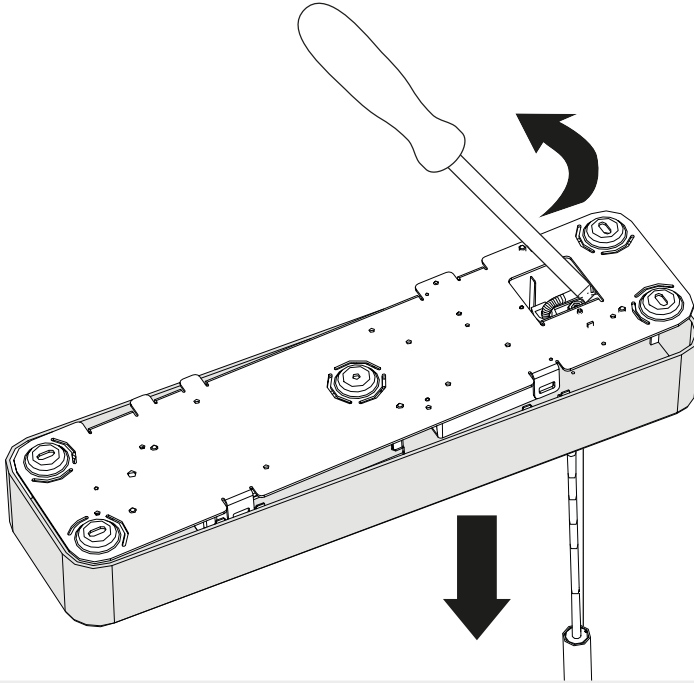


i**180°****i****150°**

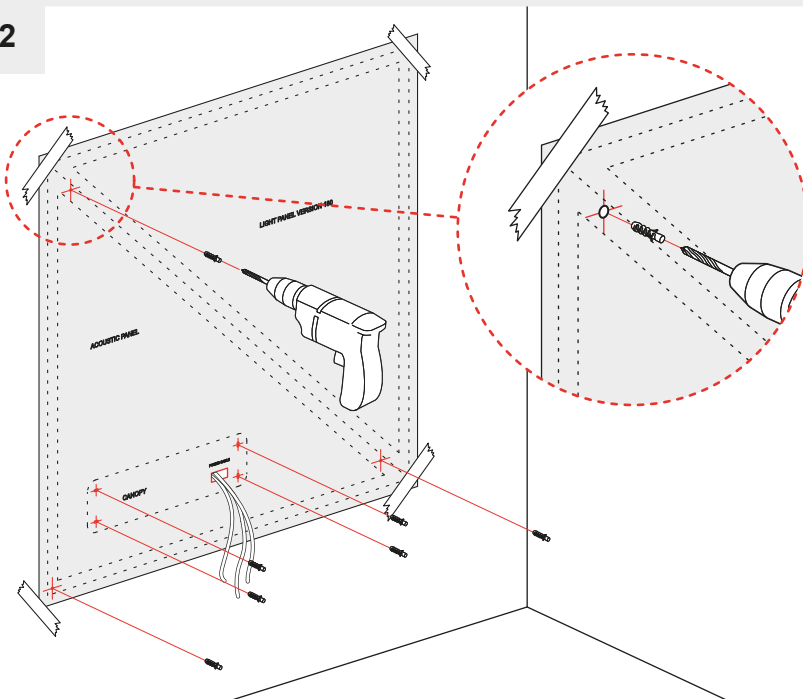
i



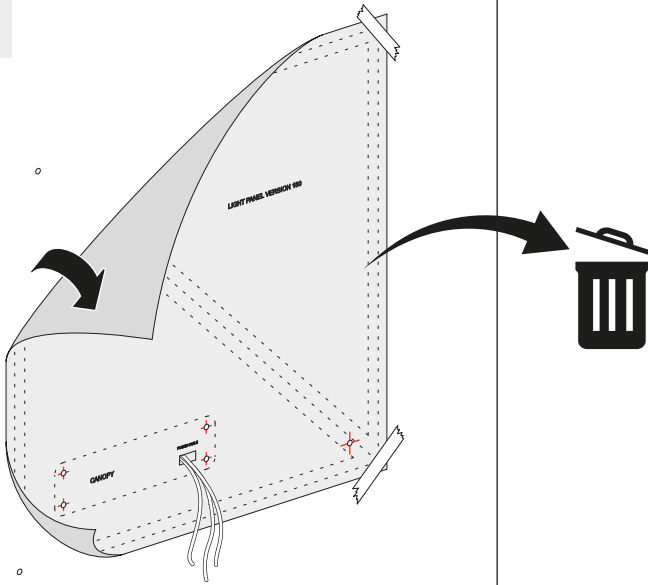
1



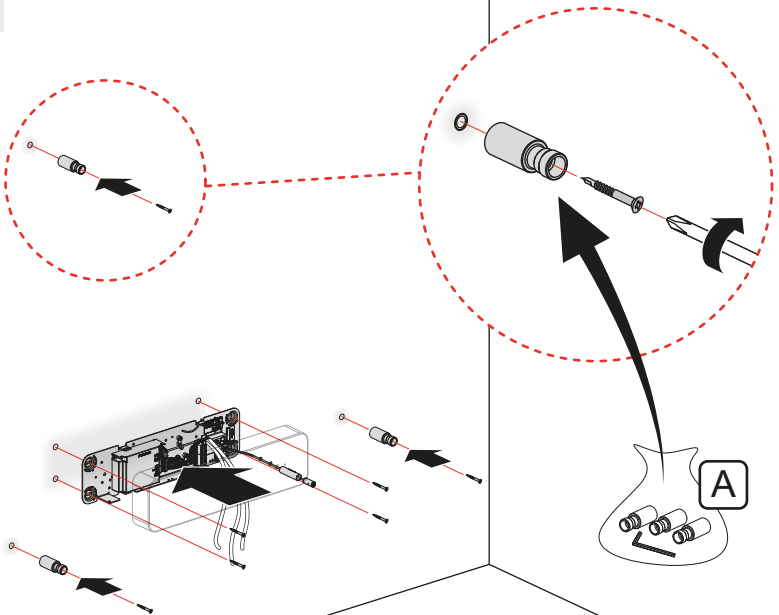
2

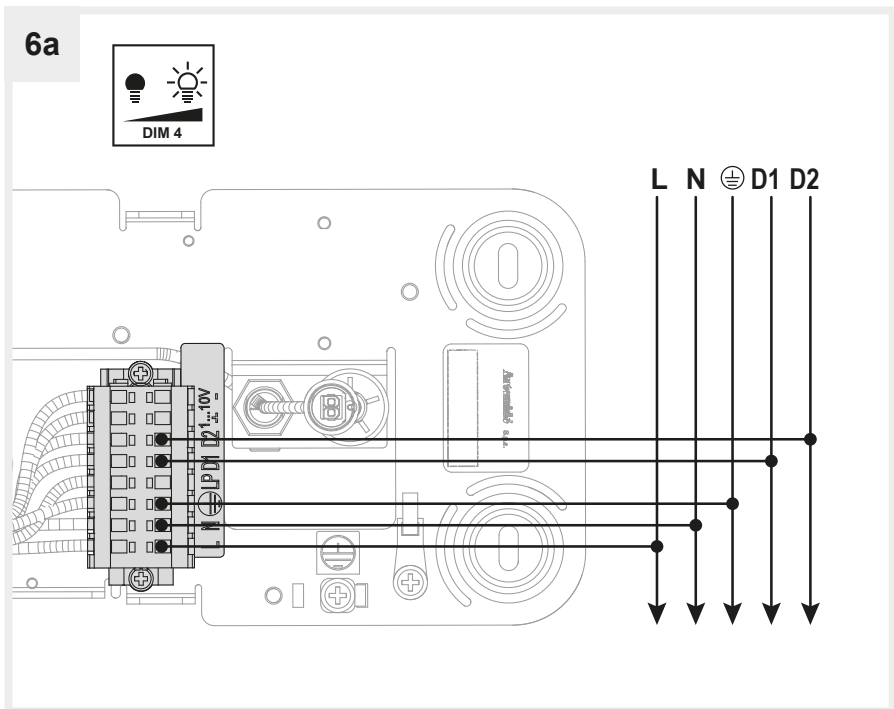
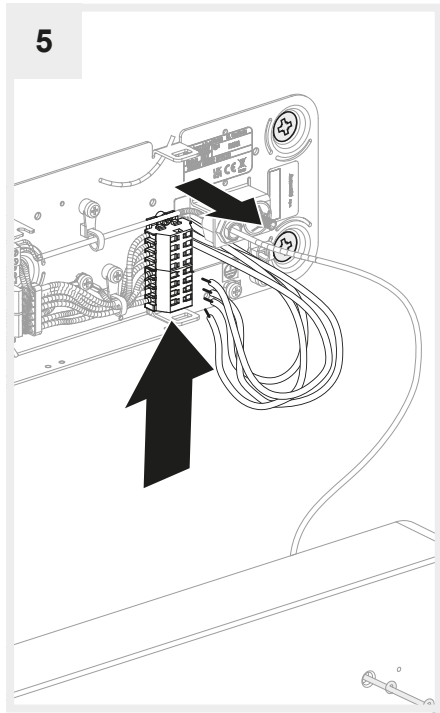
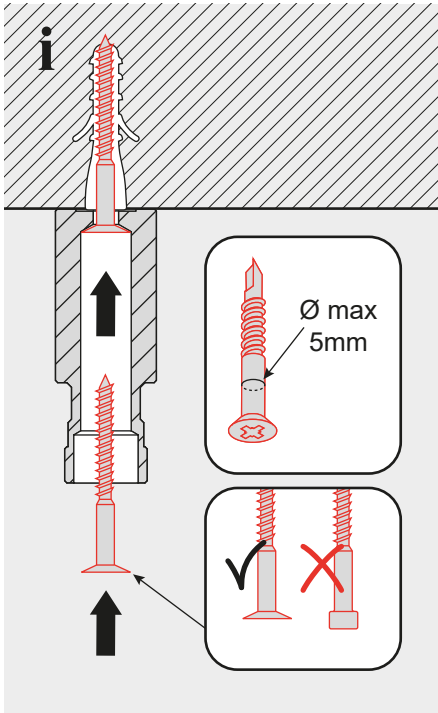


3

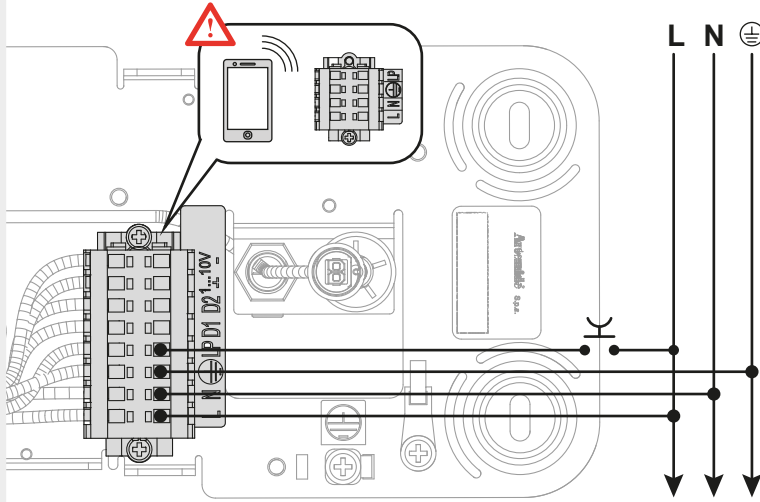


4

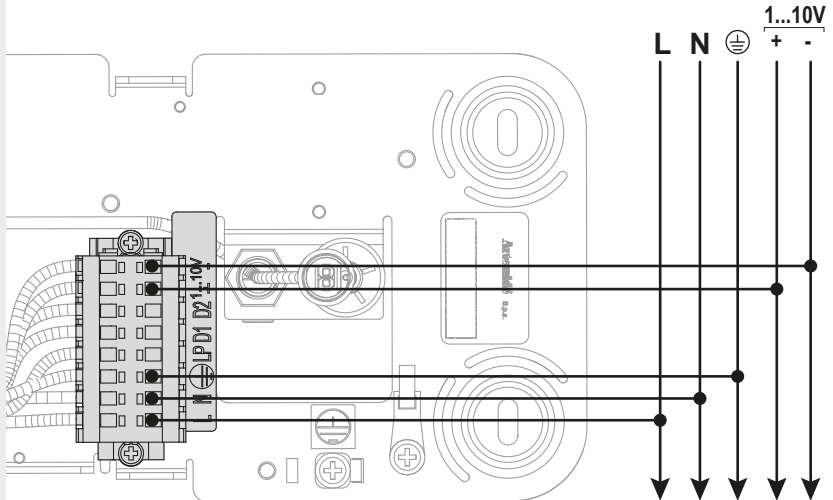
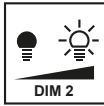




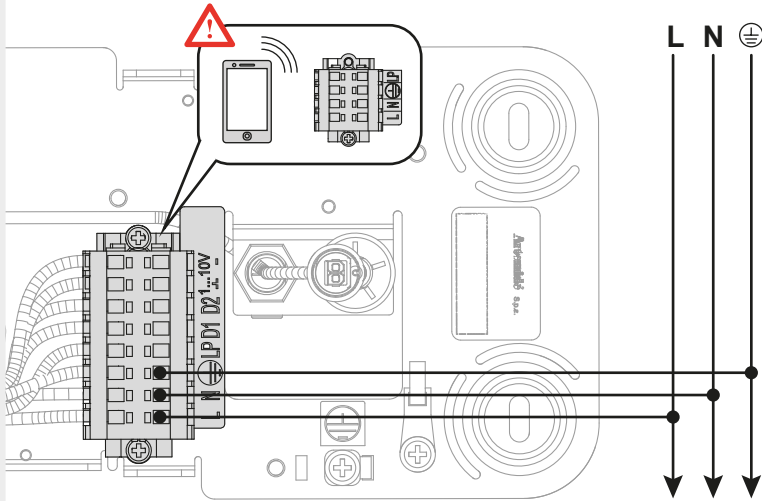
6b



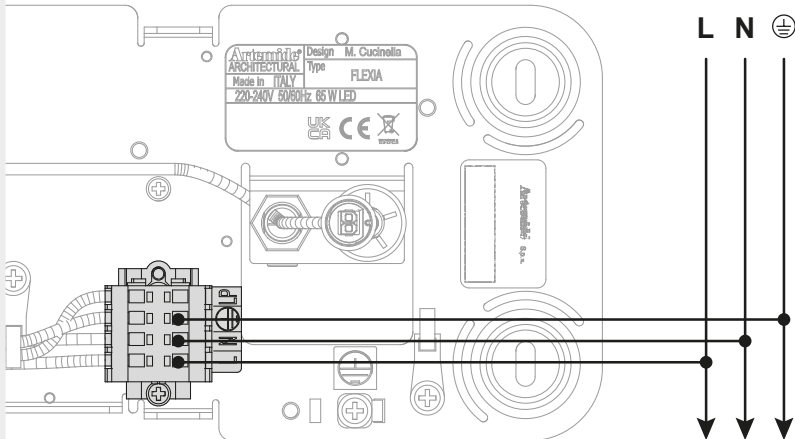
6c

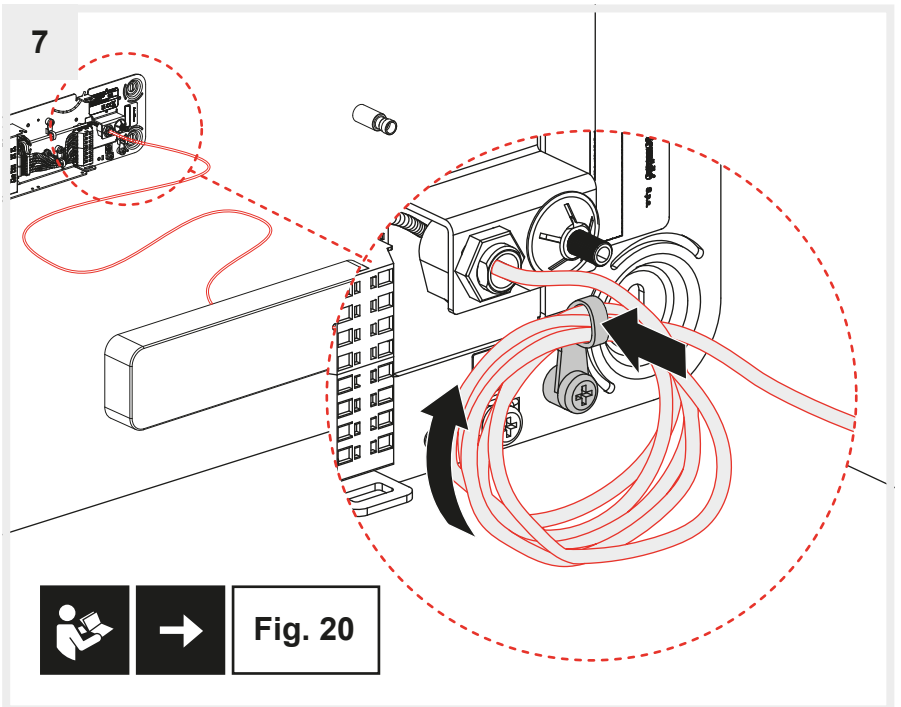
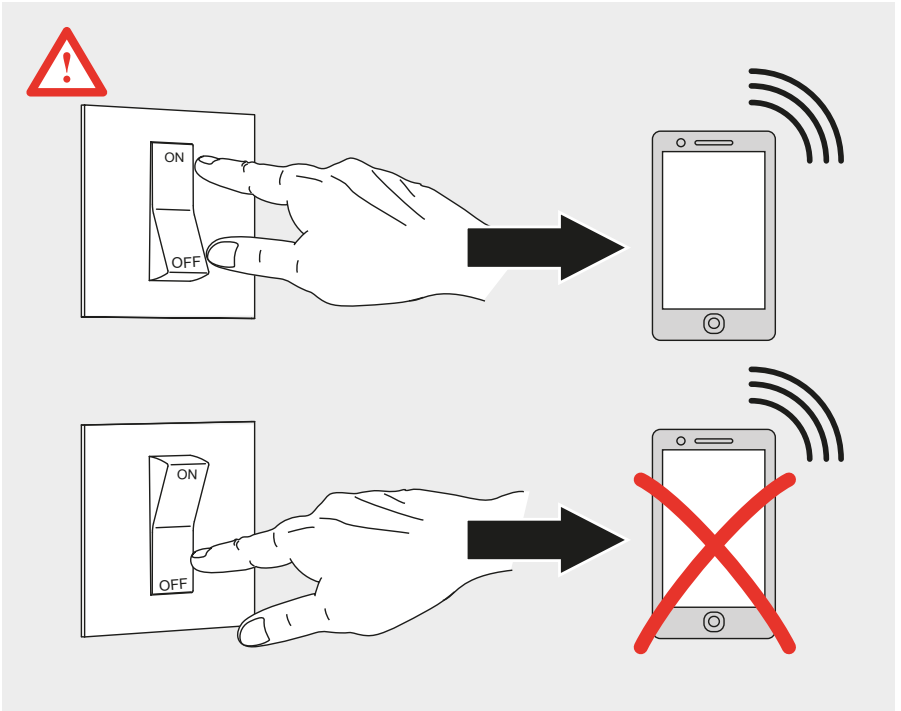


6d

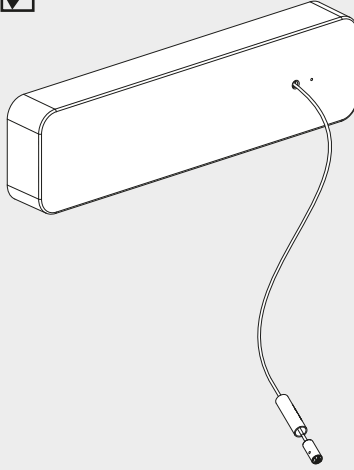
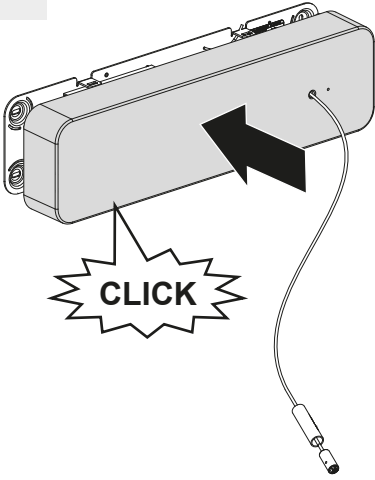


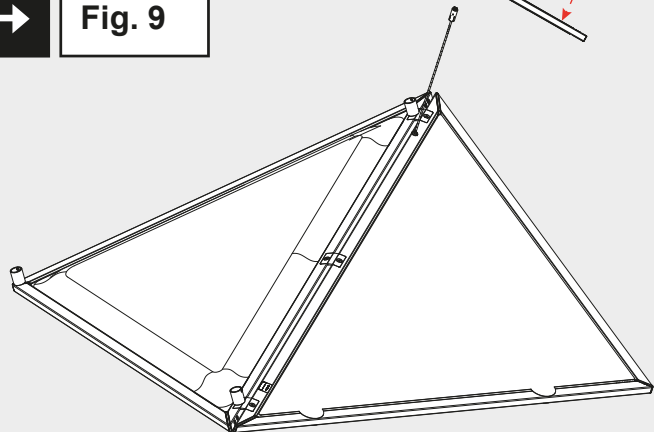
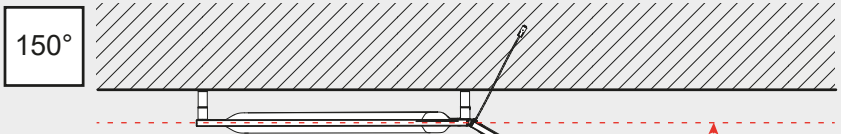
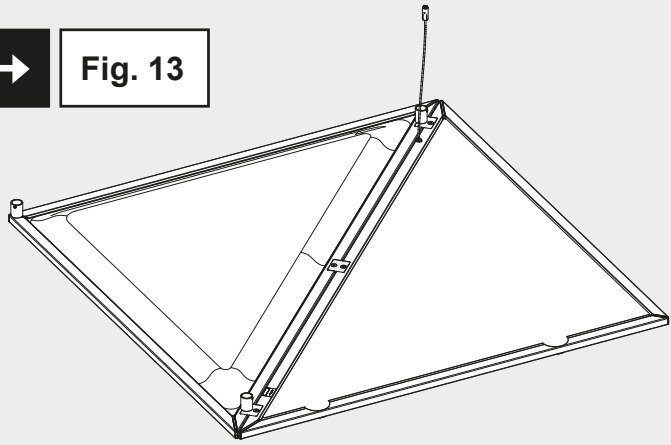
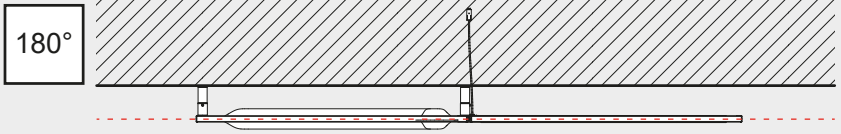
6e



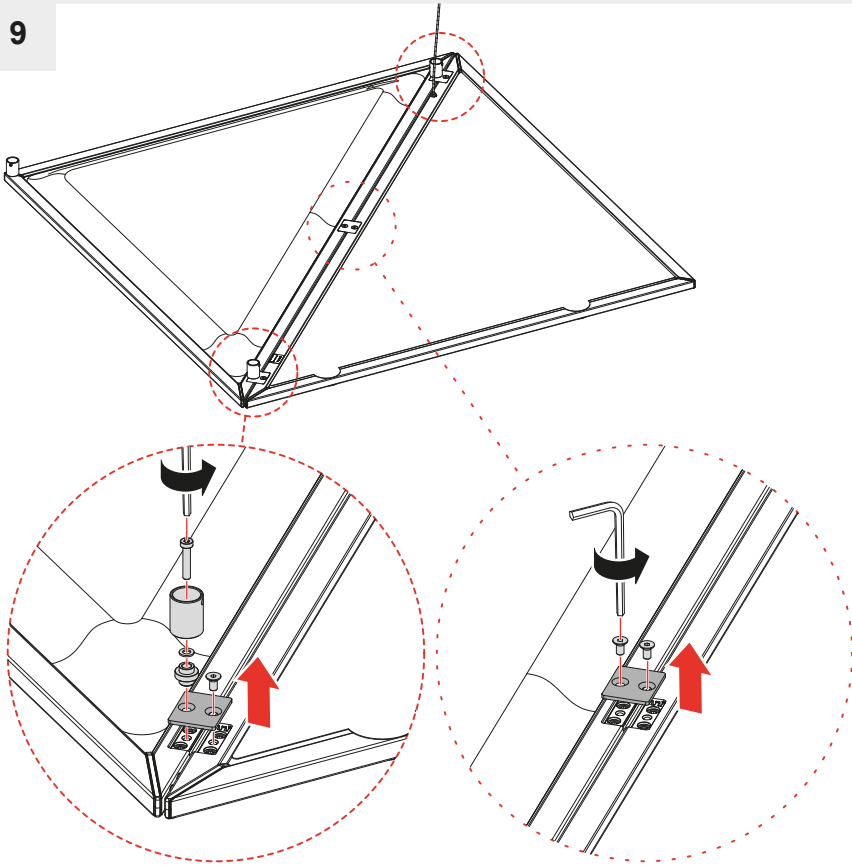


8

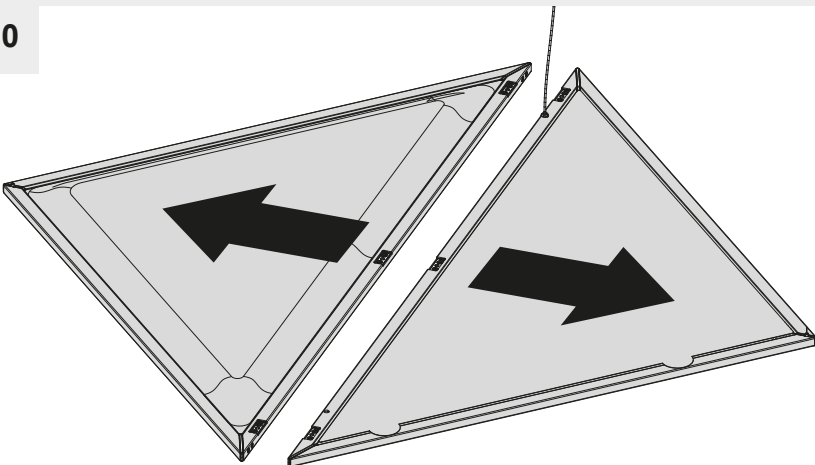




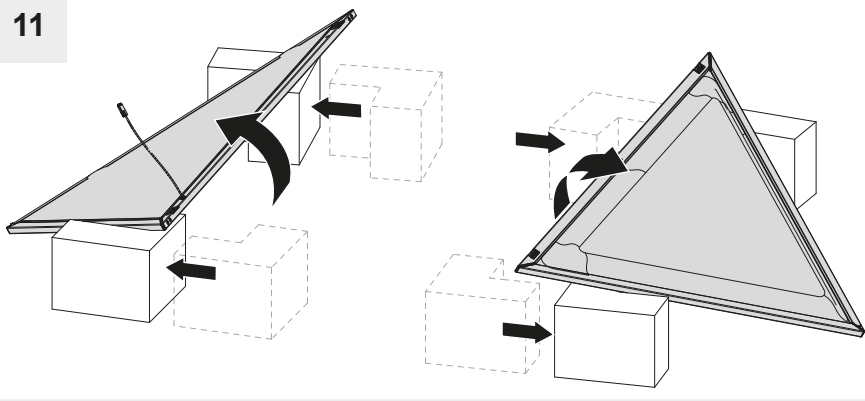
9



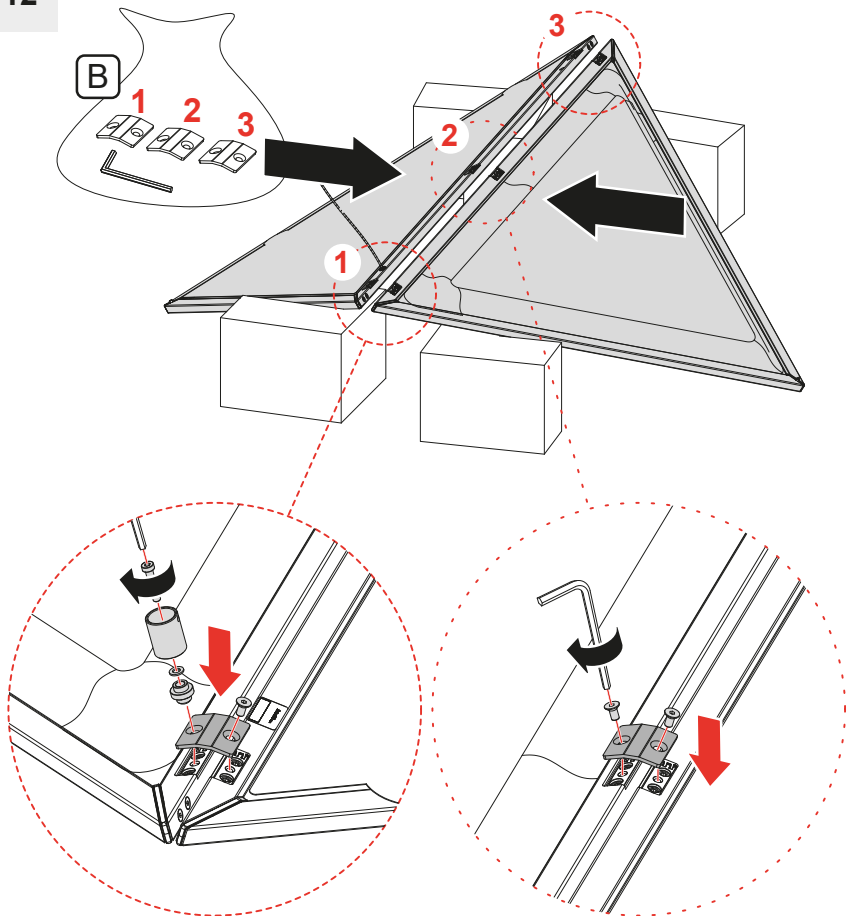
10



11



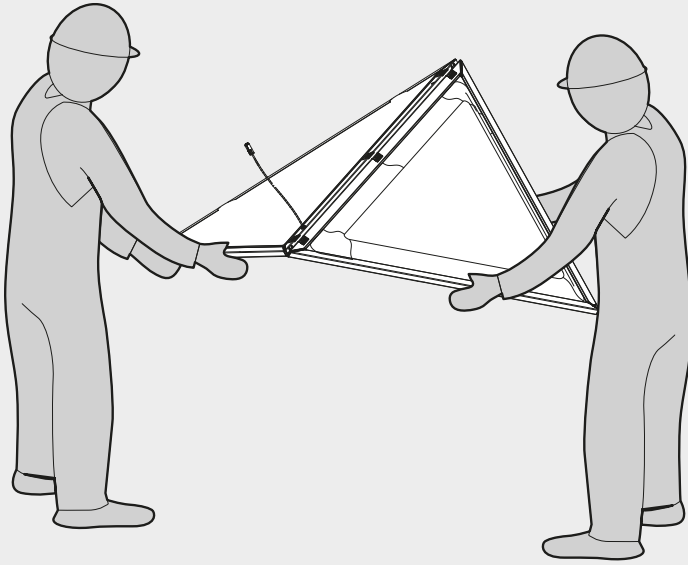
12



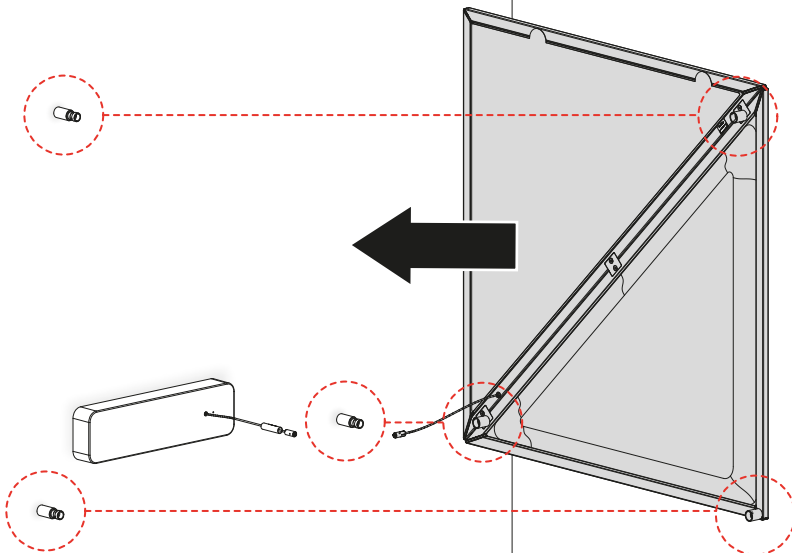


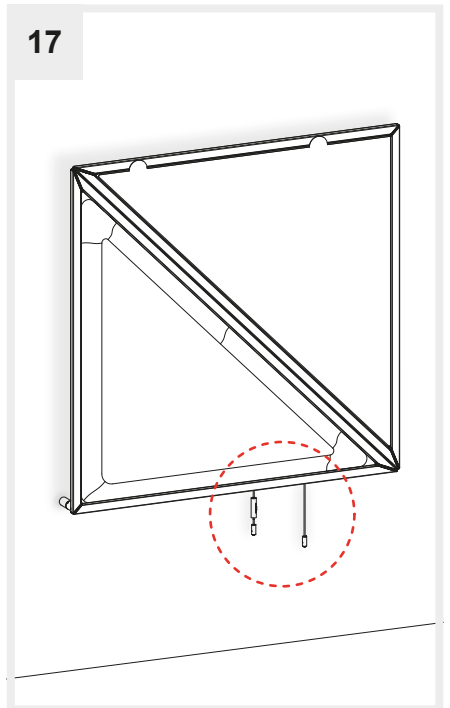
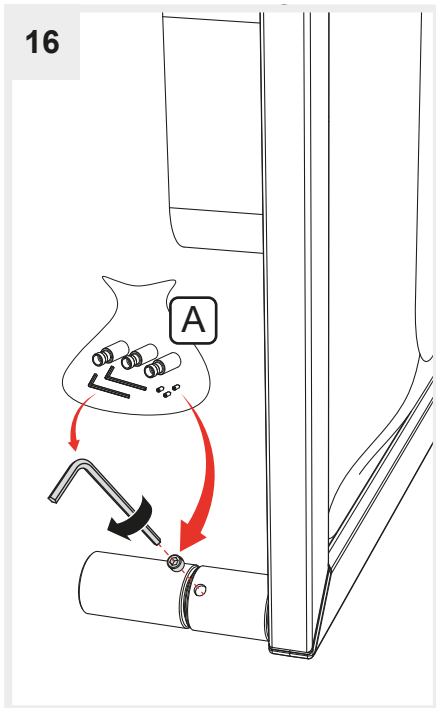
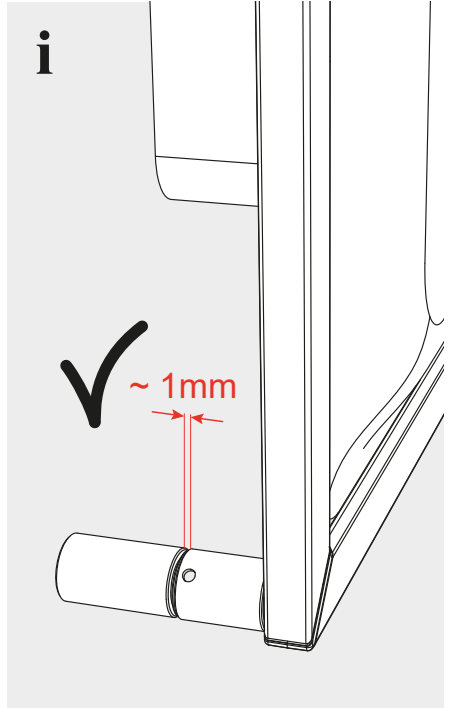
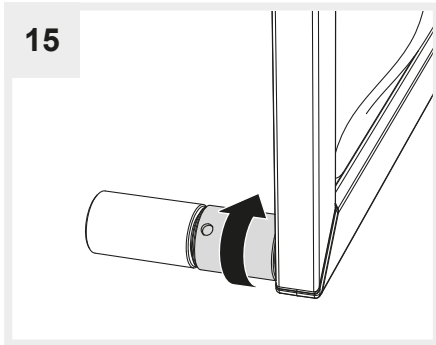
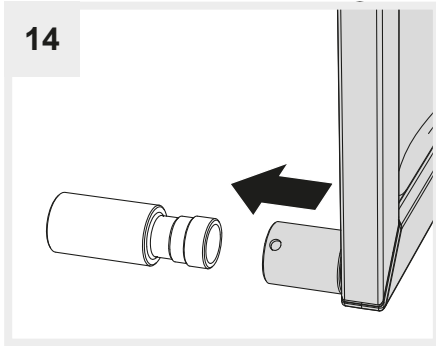
180°

150°

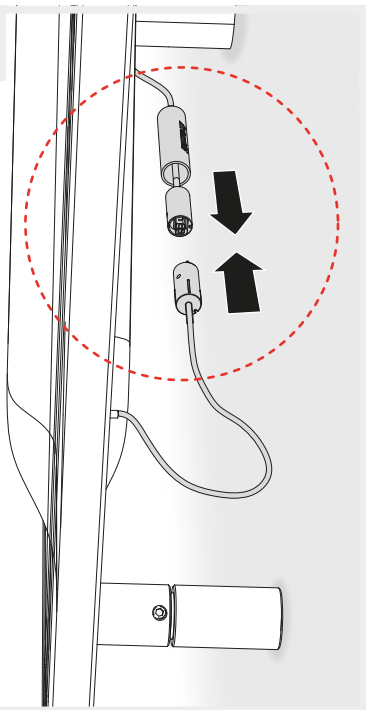


13

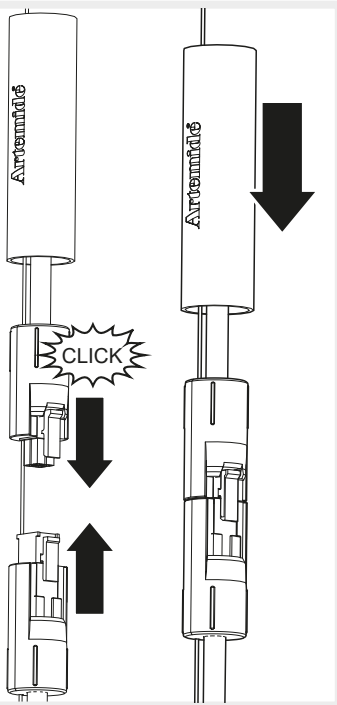




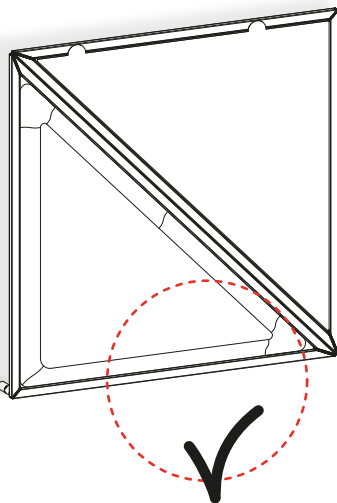
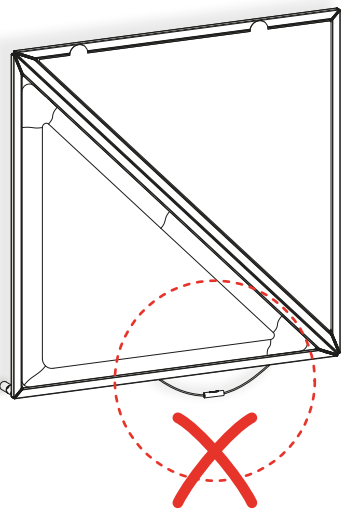
18



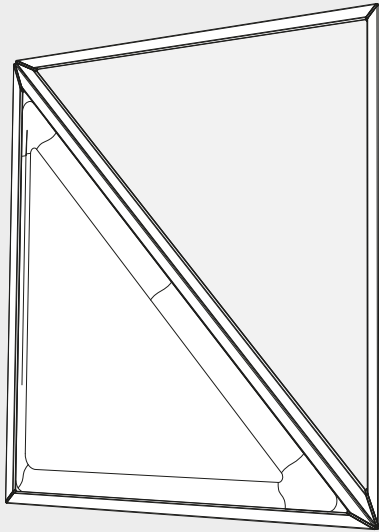
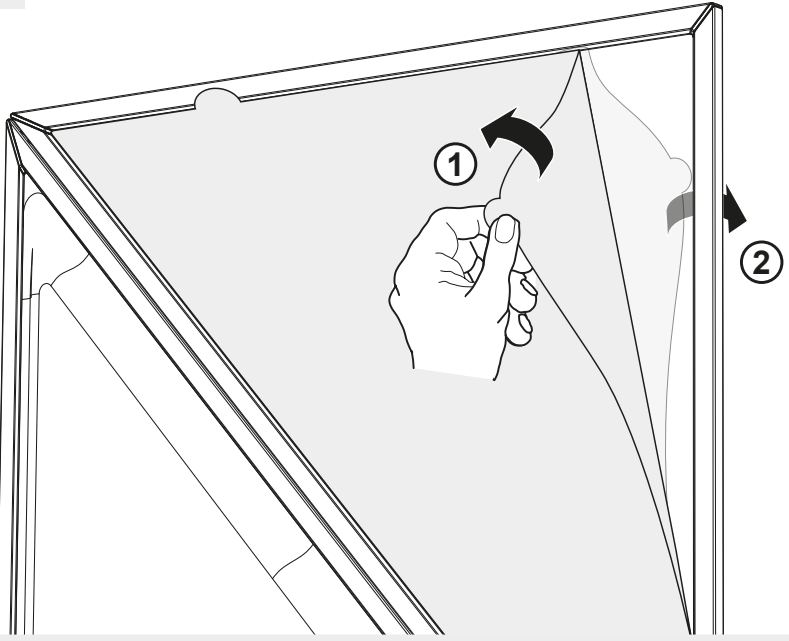
19

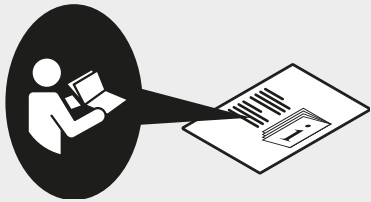


20

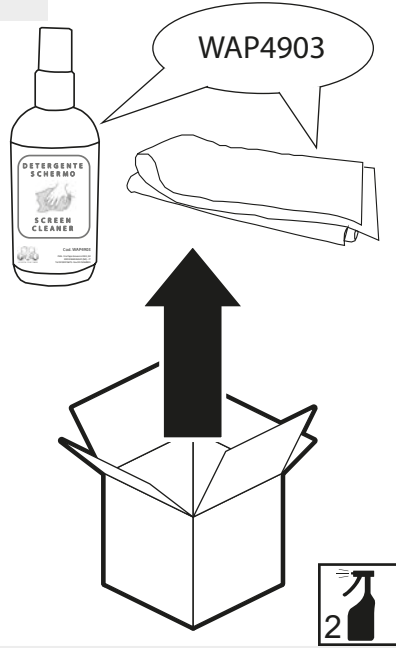


21

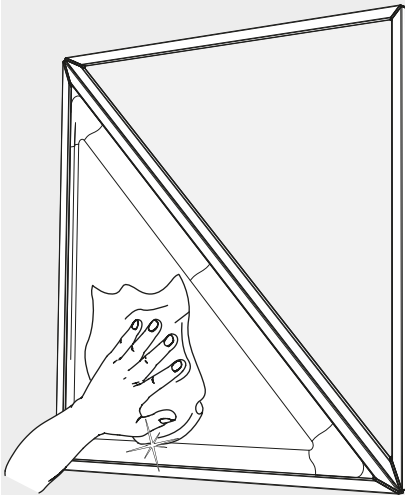




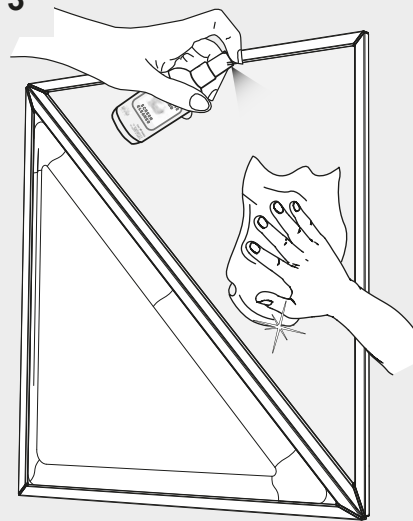
1

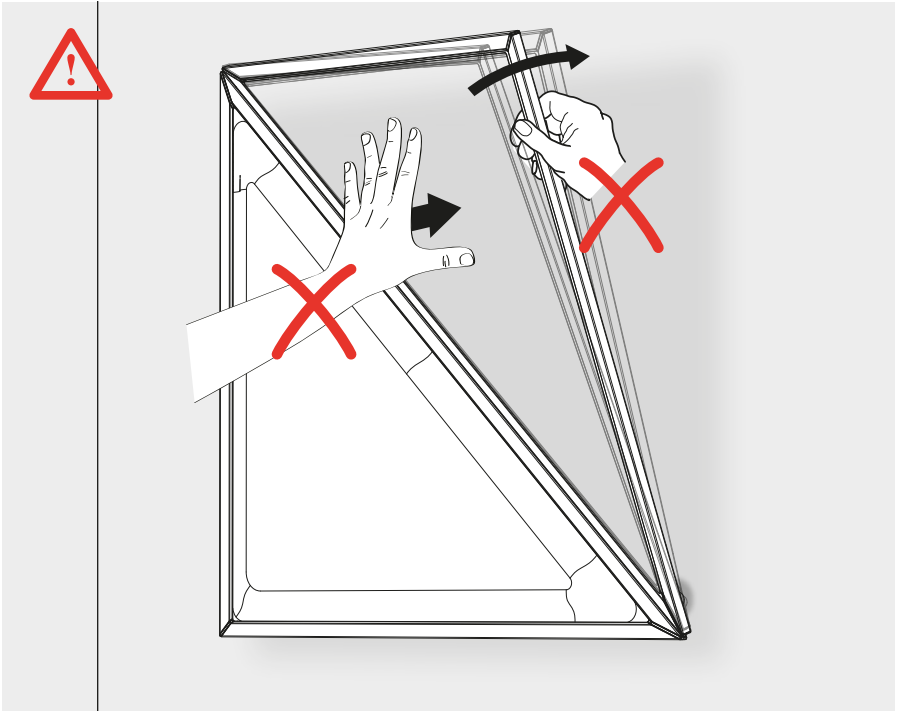


2

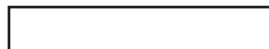


3





Artemide®



Artemide

via Bergamo, 18
20010 Pregnana M.se (MI)
ITALIA

tel. +39 02 935 181
fax +39 02 935 90 254
fax +39 02 935 90 496

www.artemide.com

VAT IT00846890150

cod. Y513001602A