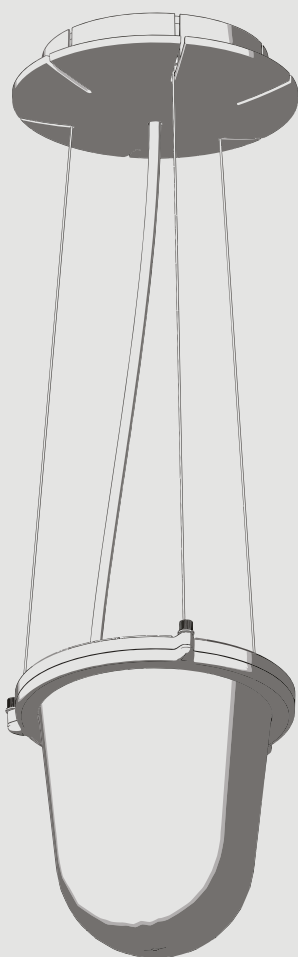
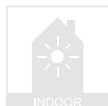


Artemide®

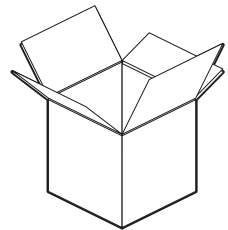
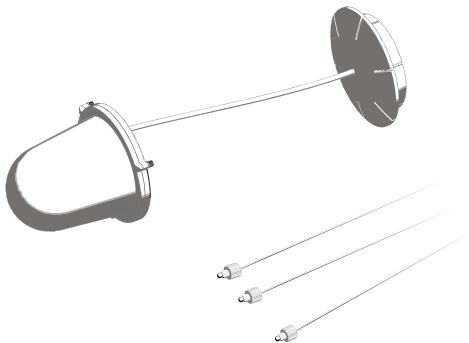
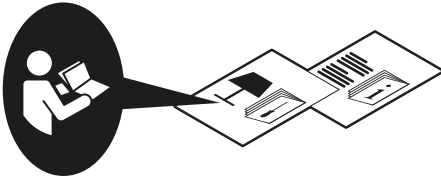
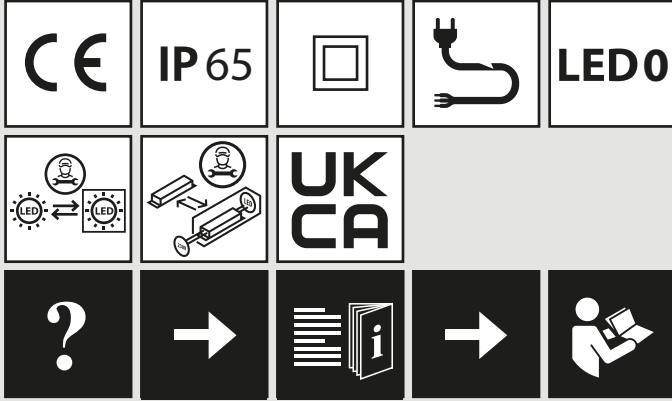
TOLOMEO LAMPIONE OUTDOOR SOSPENSIONE

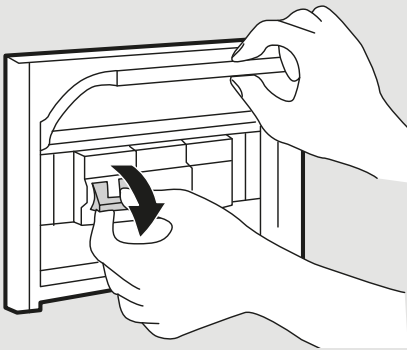
design
M. De Lucchi
G. Fassina



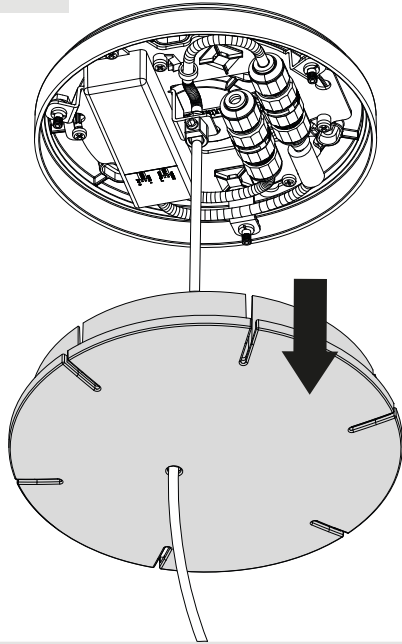


i

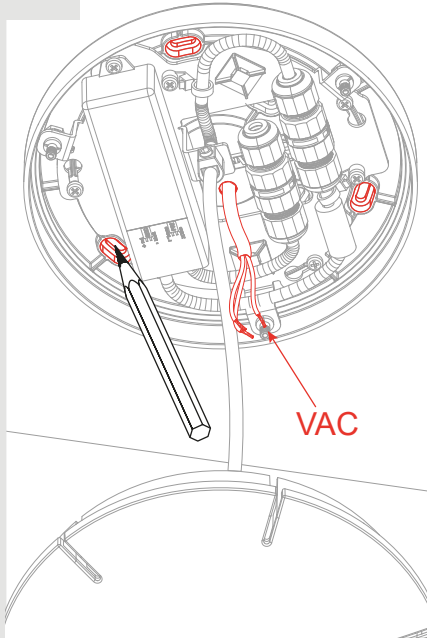




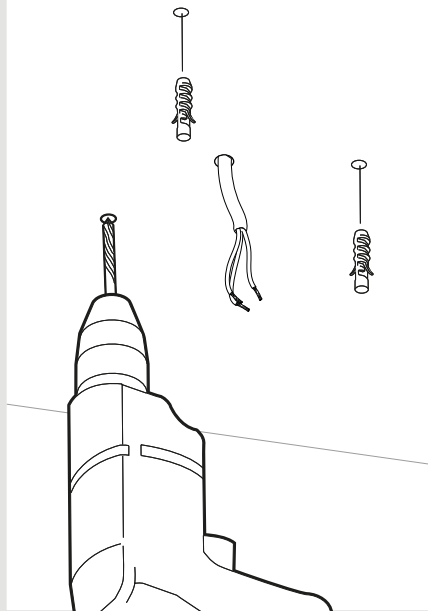
1



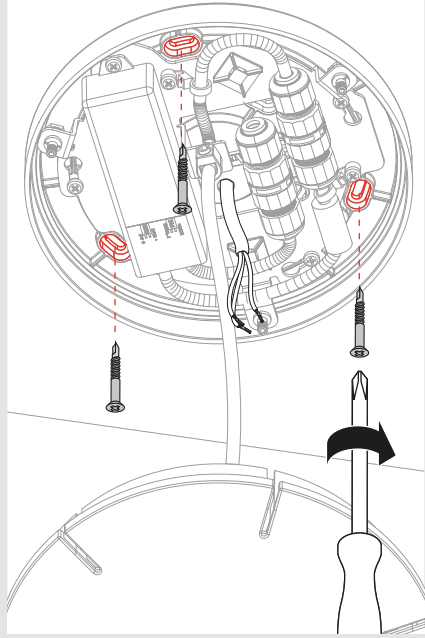
2



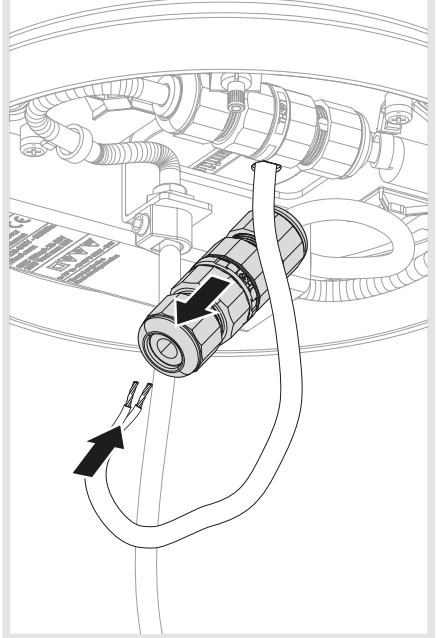
3



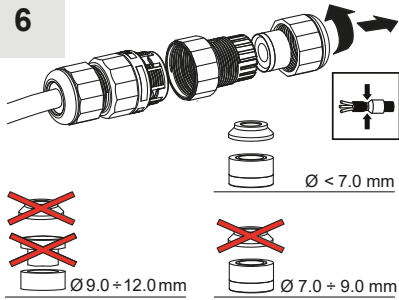
4



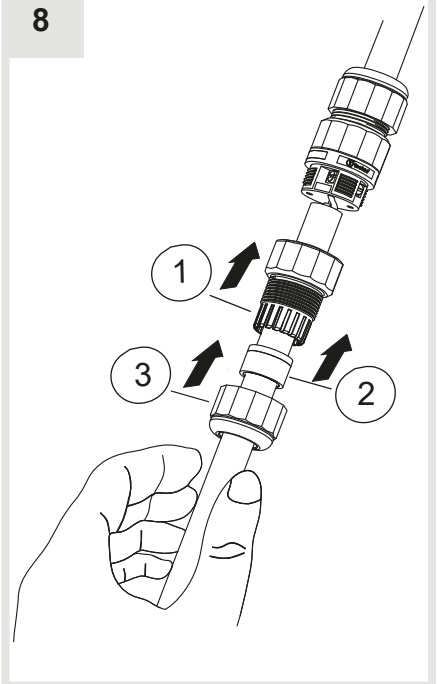
5



6

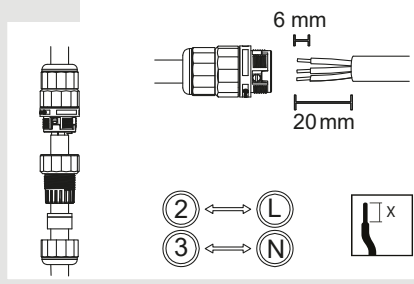


8

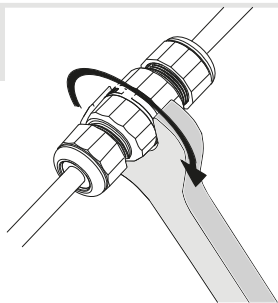


7

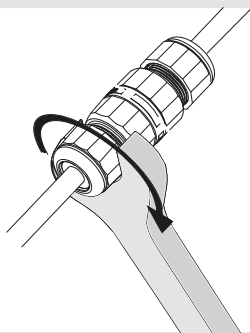
Input 220 - 240 Vac



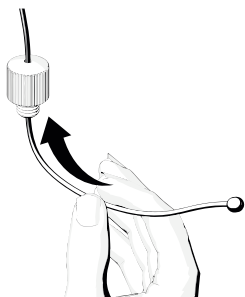
9a



9b



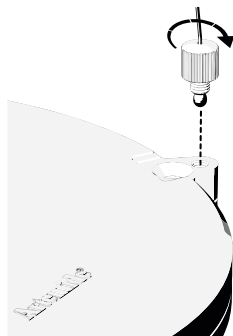
10

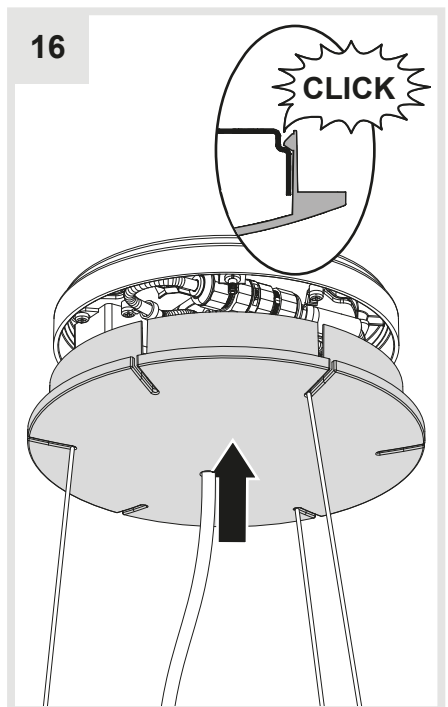
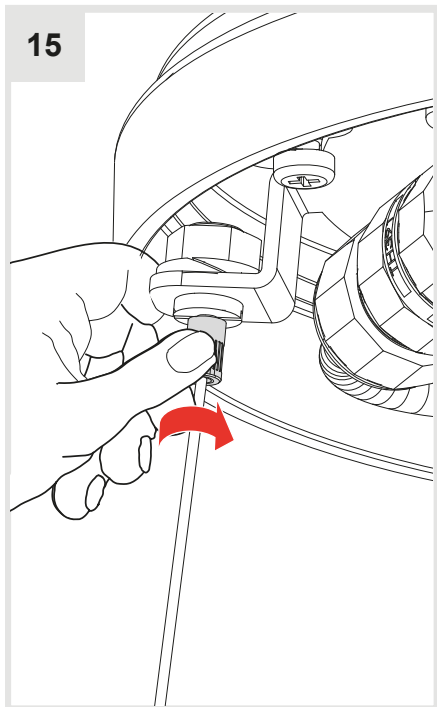
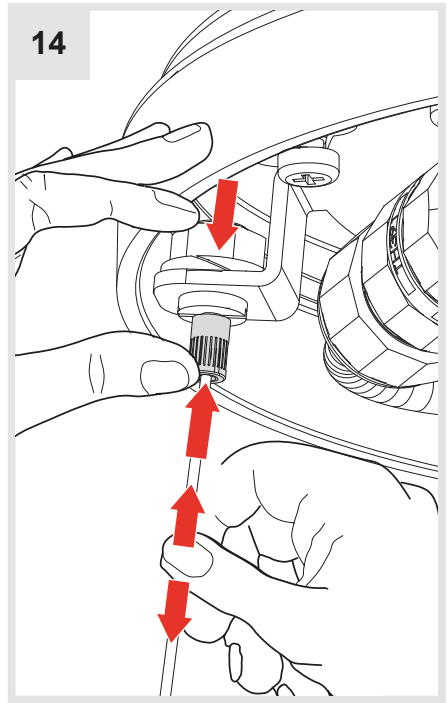
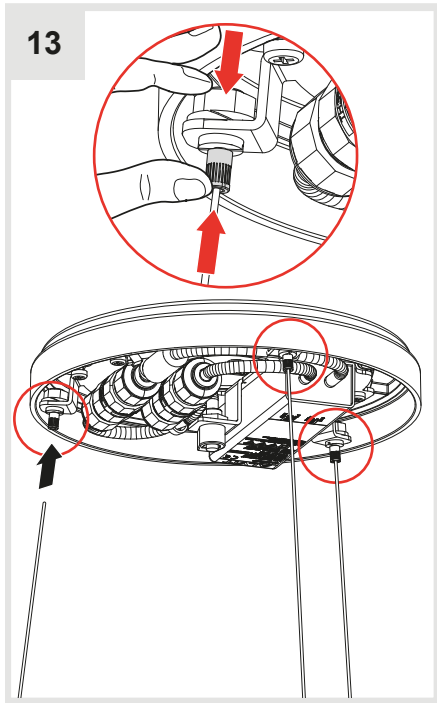


11



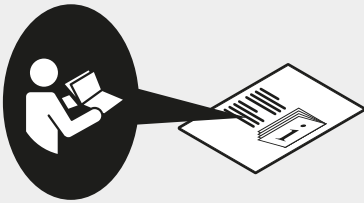
12







i



Artemide®



Artemide Spa

via Bergamo, 18
20006 Pregnana M.se (MI)
ITALIA

Tel. +39 02 935 181
Fax +39 02 935 90 254
Fax +39 02 935 90 496

www.artemide.com

VAT IT00846890150

cod. Y513001615B