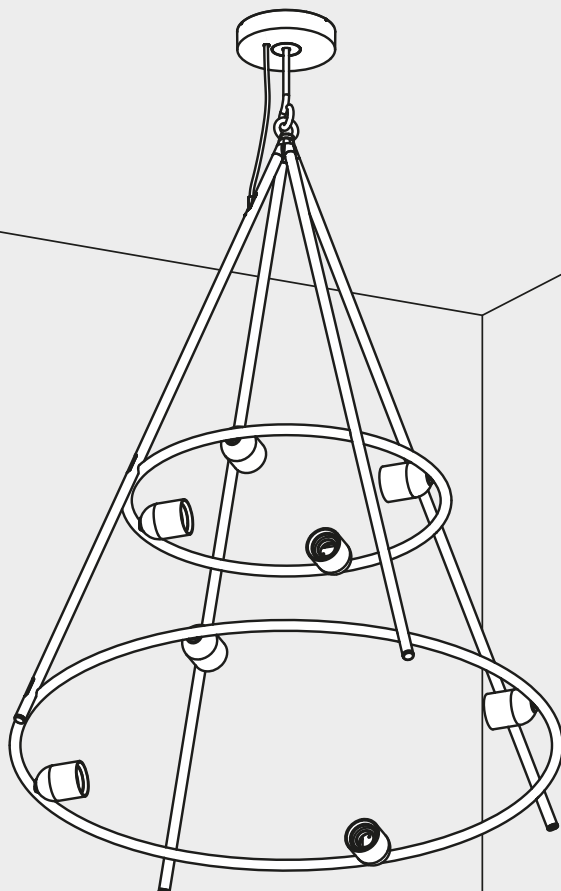


Artemide®

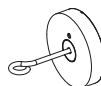
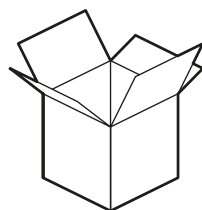
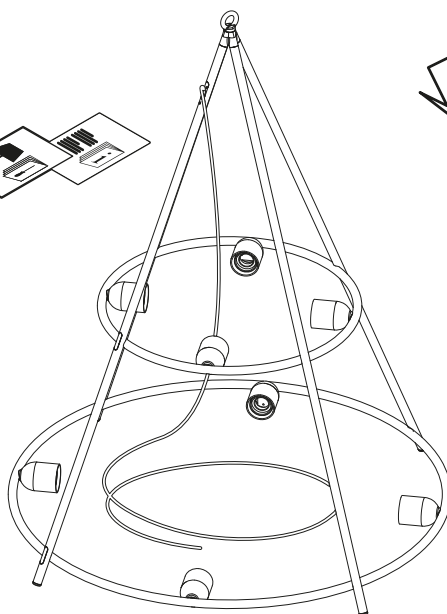
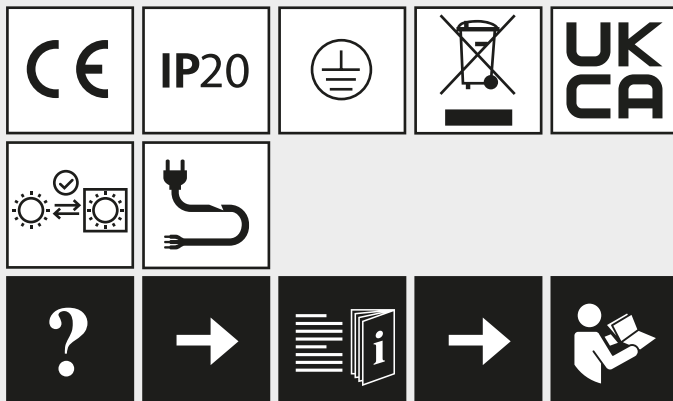
EL PORÍS 80

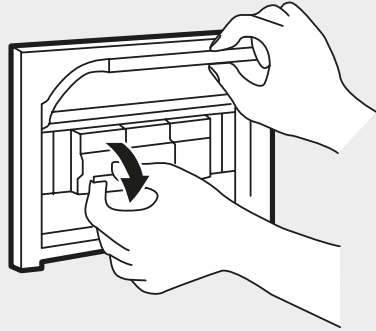
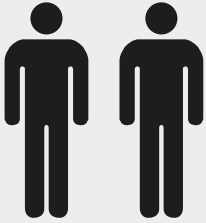
design
Herzog & de Meuron



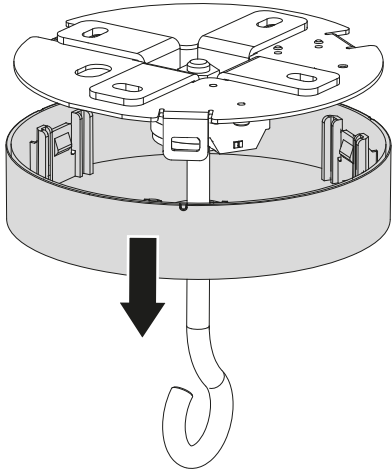


i

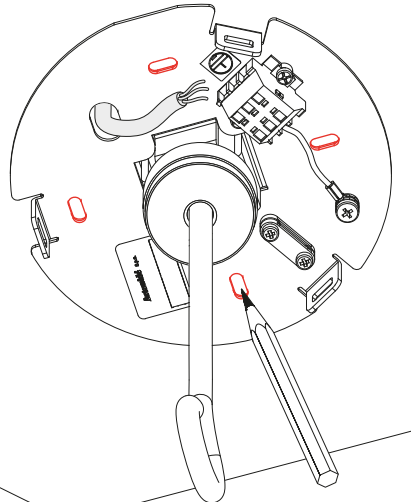




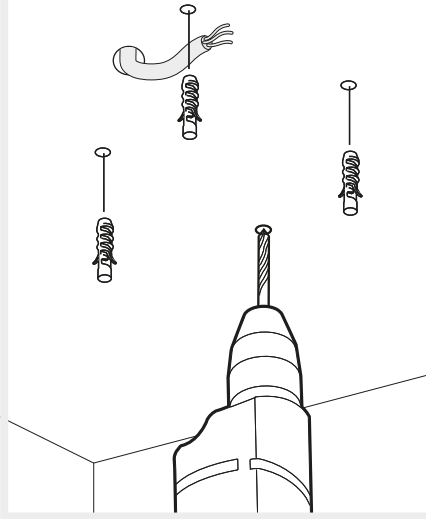
1



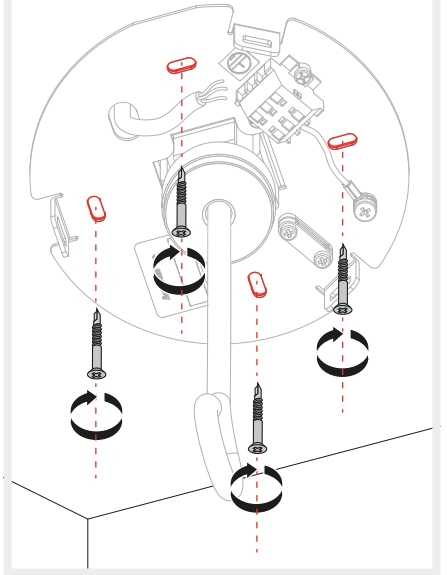
2



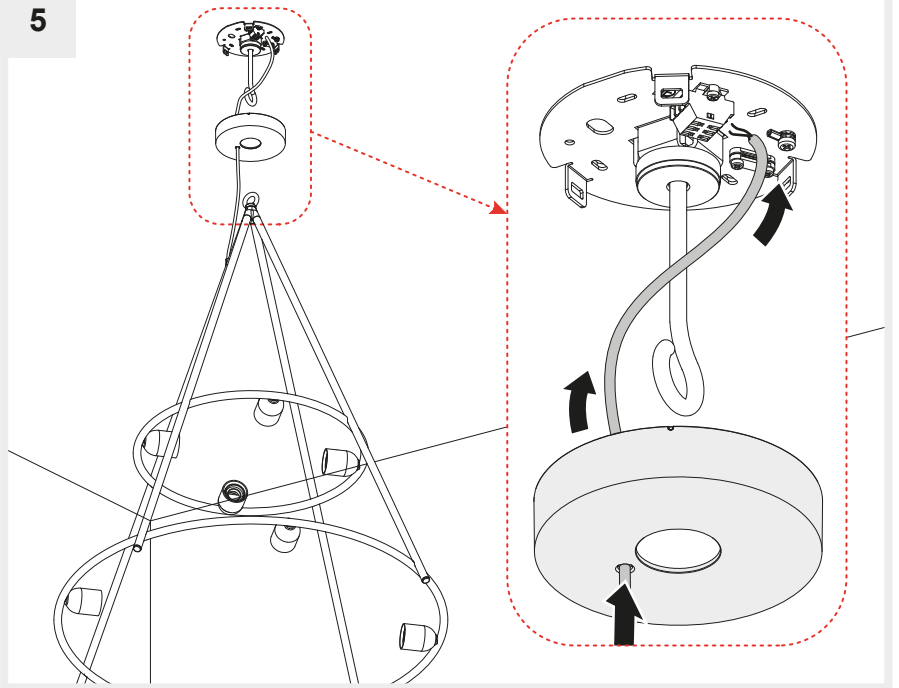
3



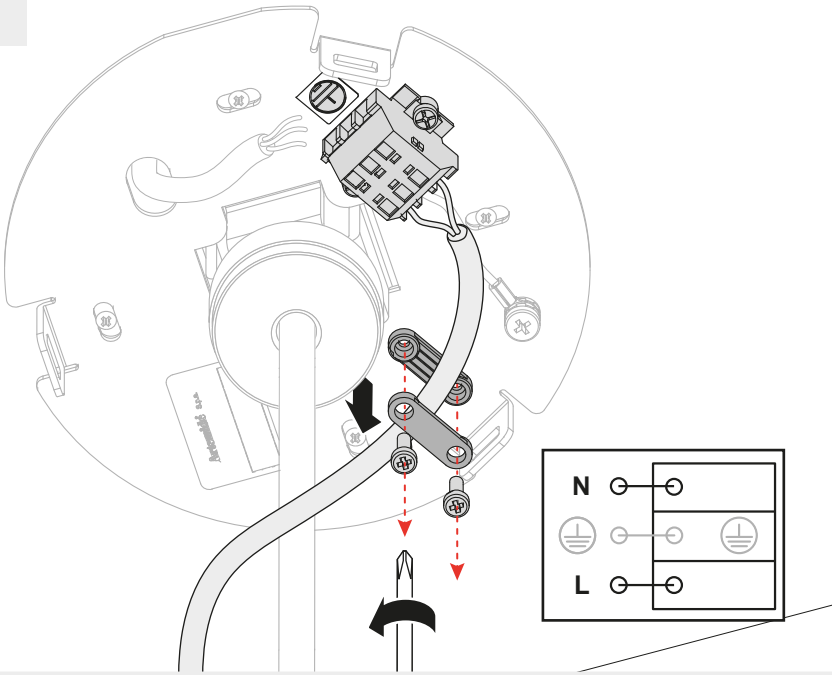
4



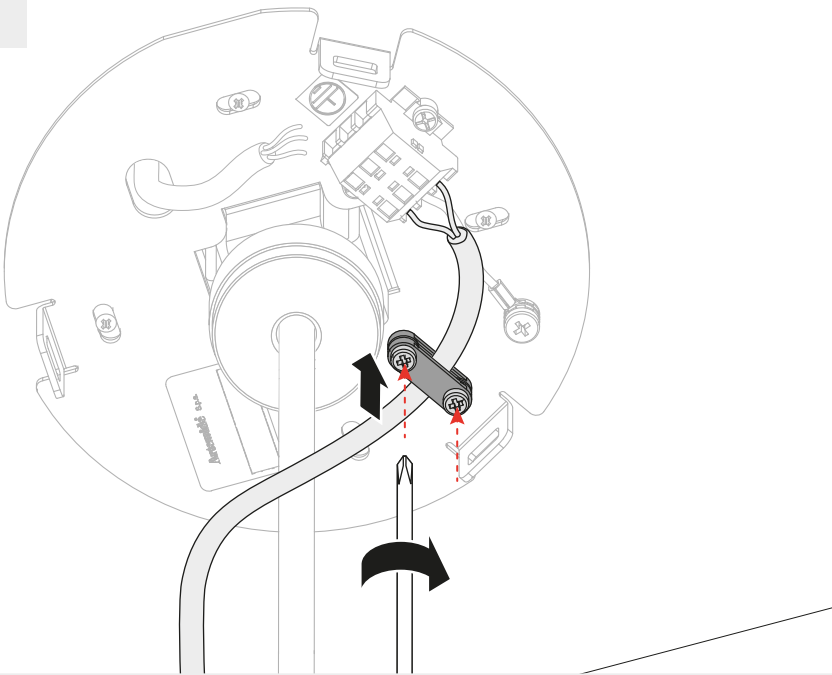
5



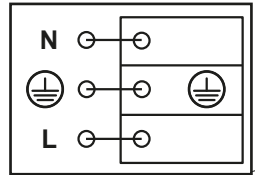
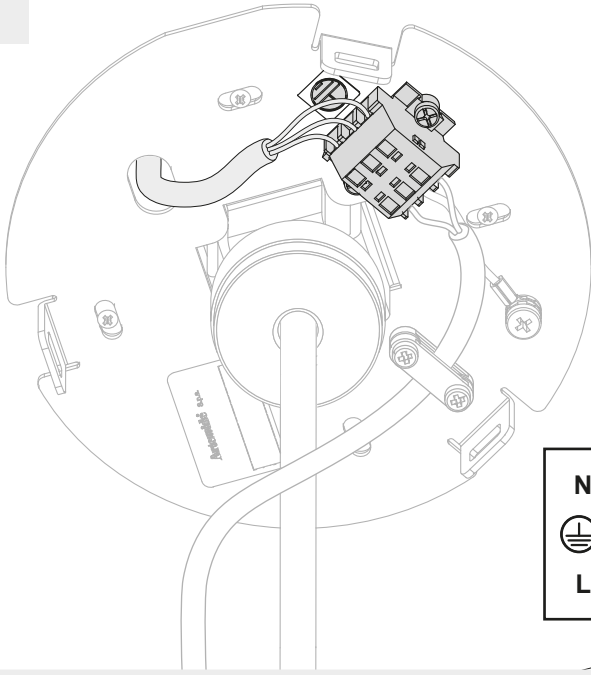
6



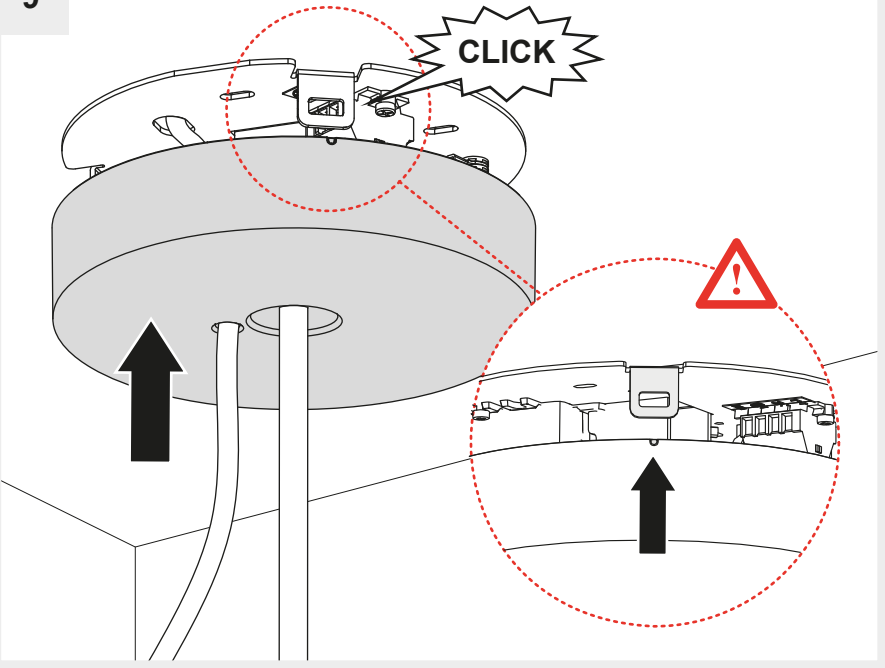
7



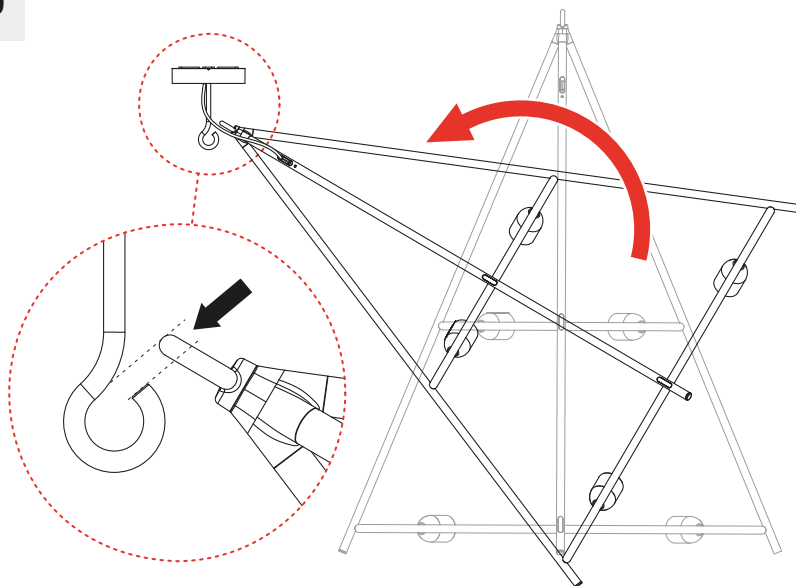
8



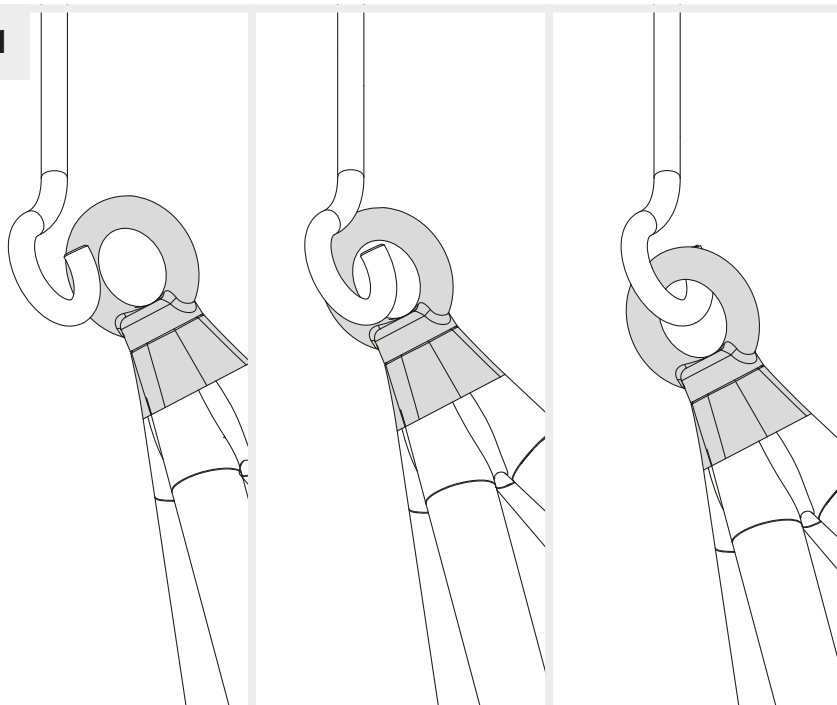
9

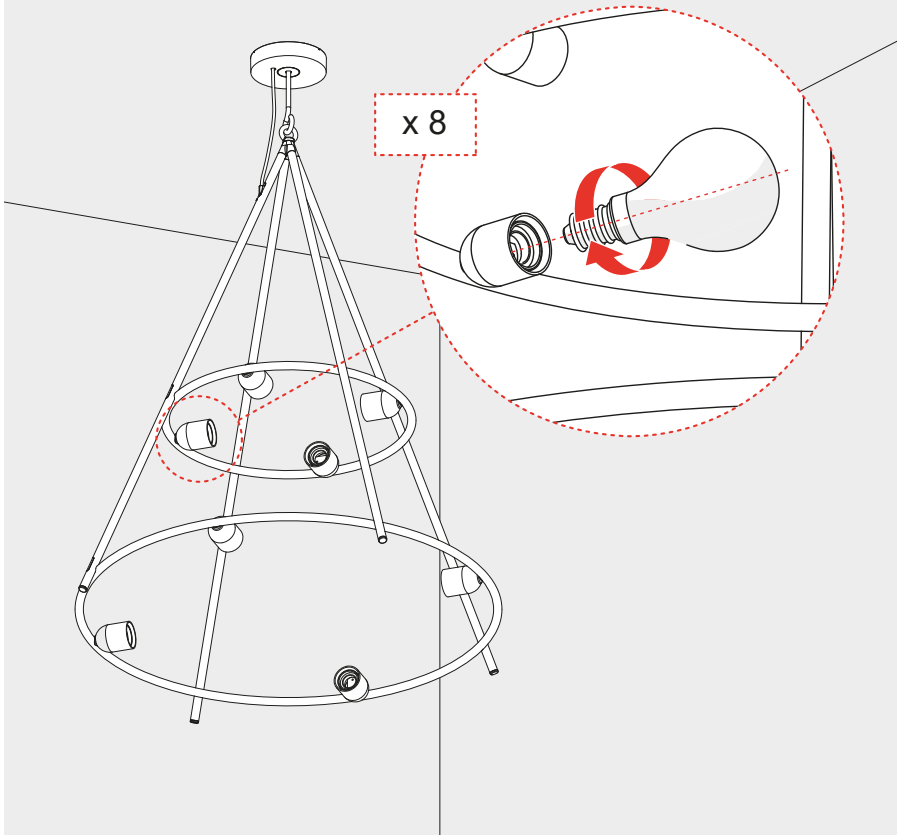
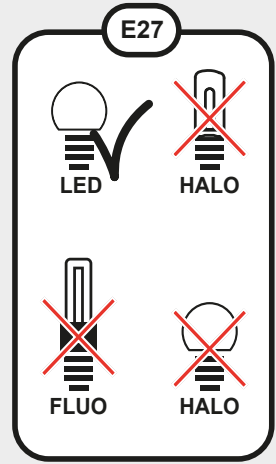
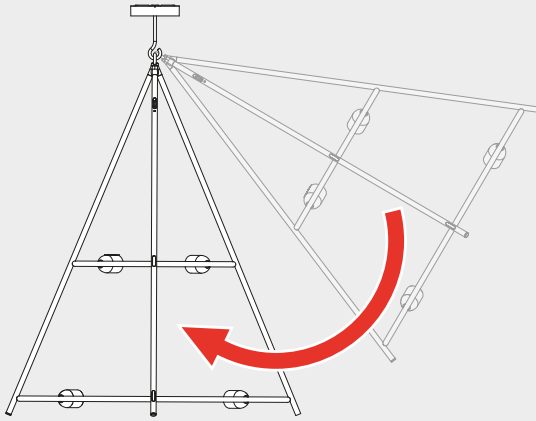


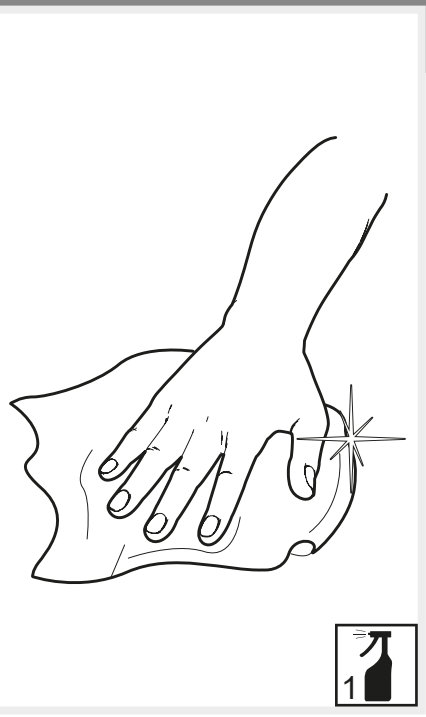
10



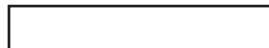
11







Artemide®



Artemide

via Bergamo, 18
20010 Pregnana M.se (MI)
ITALIA

tel. +39 02 935 181
fax +39 02 935 90 254
fax +39 02 935 90 496

www.artemide.com

VAT IT00846890150

cod. Y513001652