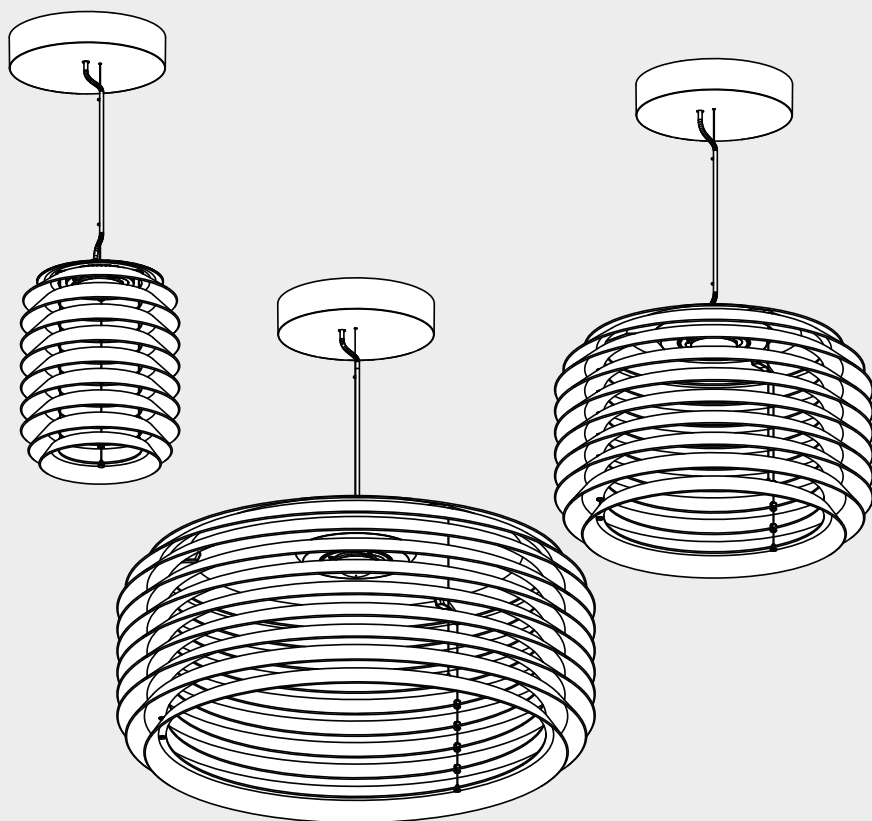


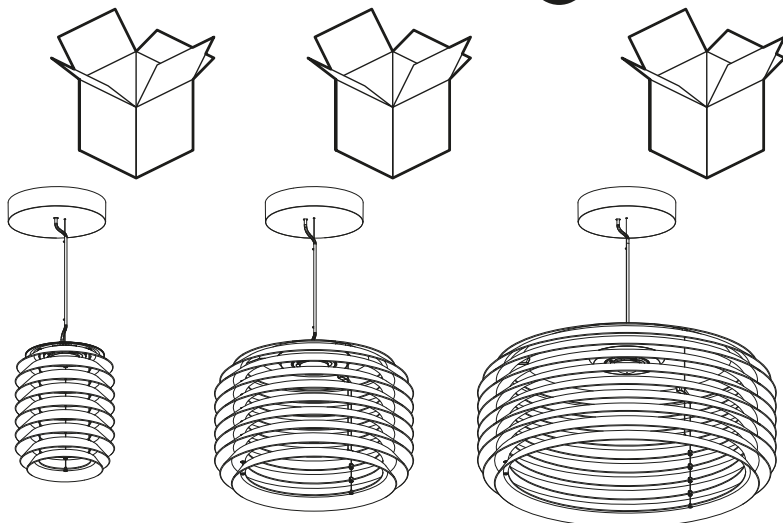
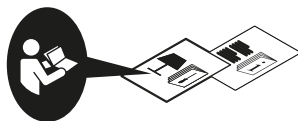
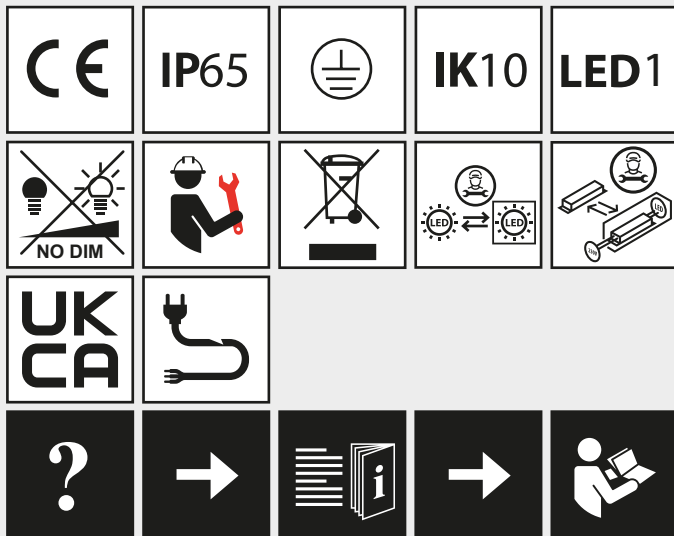
SLICING

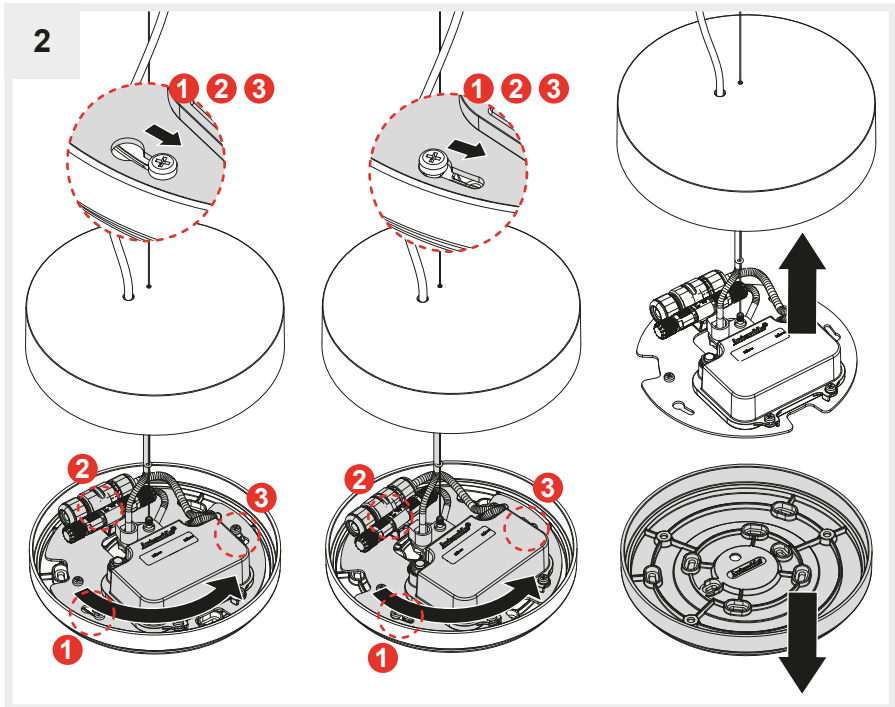
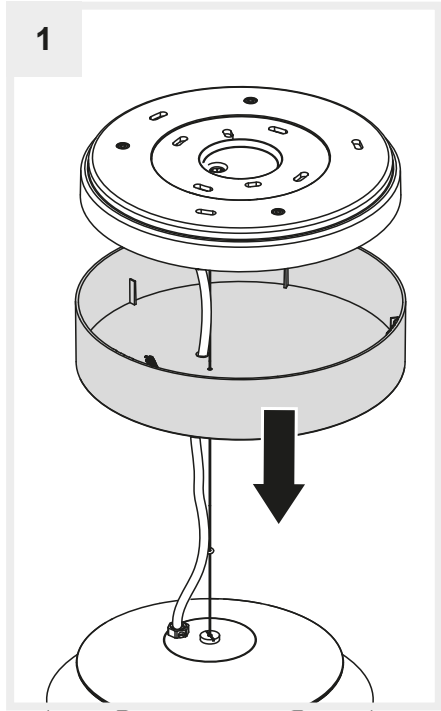
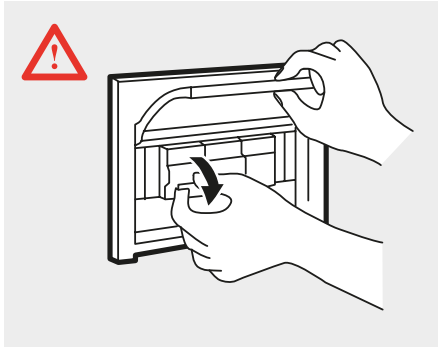
design
BIG



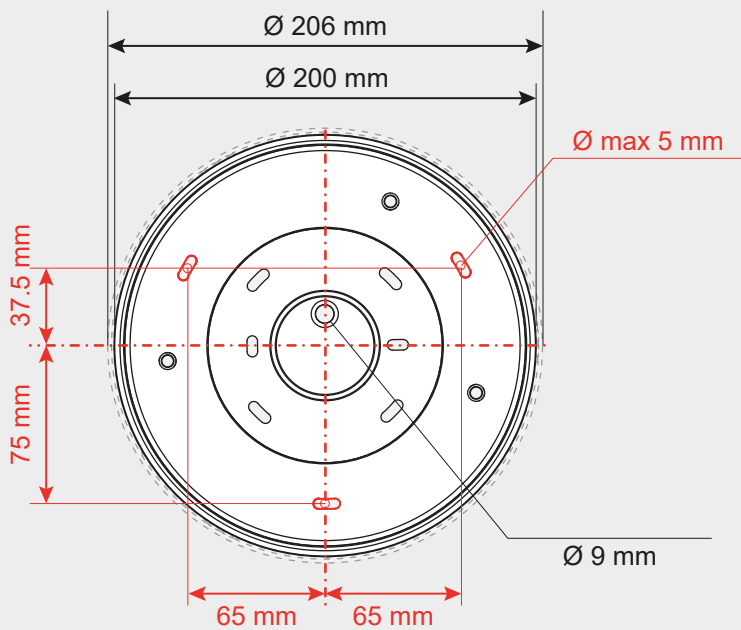


i

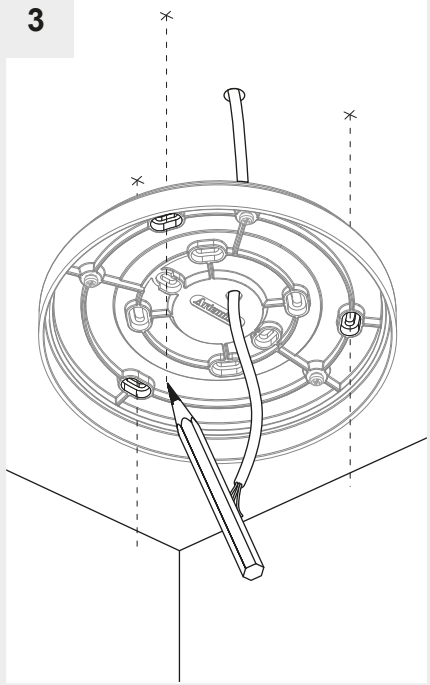




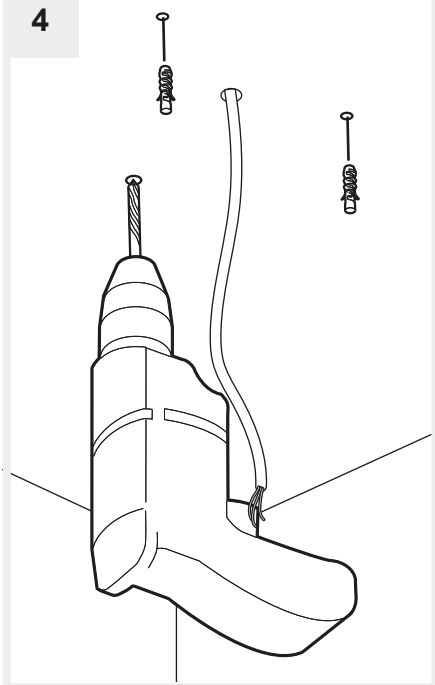
i



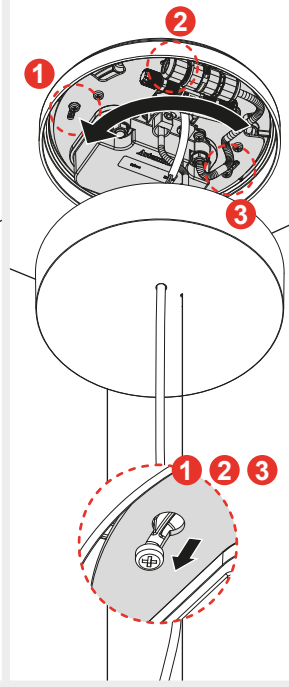
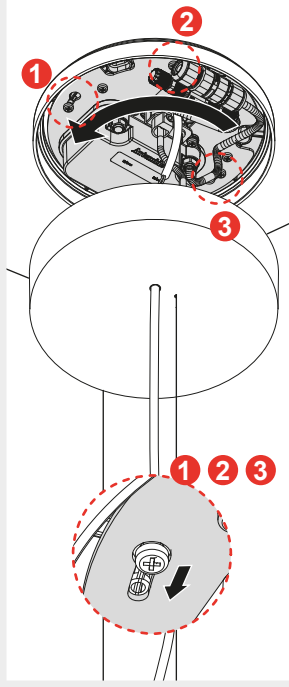
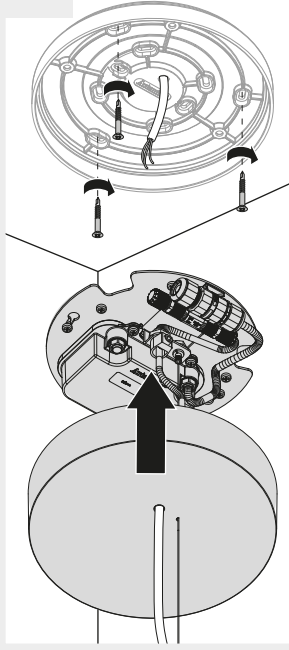
3



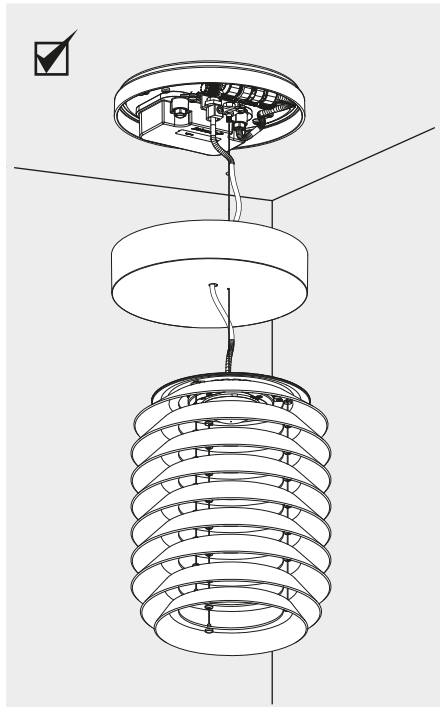
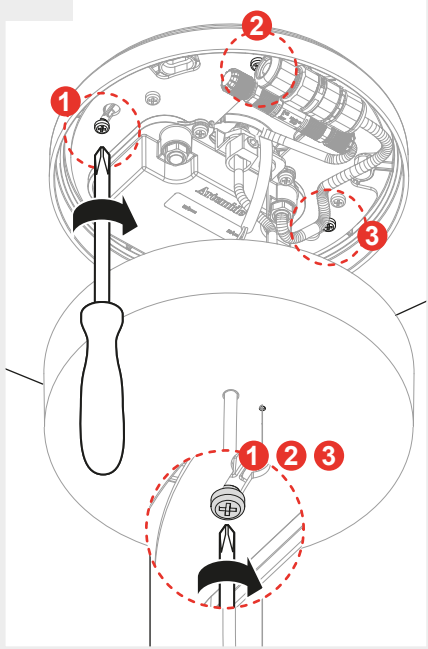
4



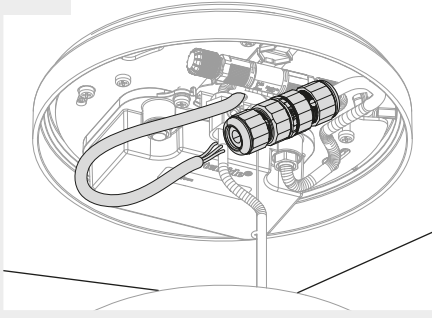
5



6



7

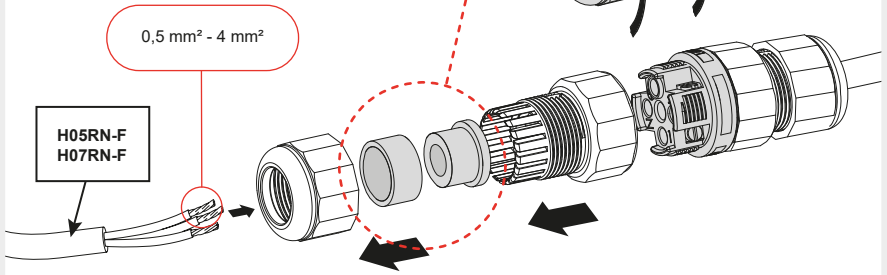


Ø 7.0 - 9.0 mm

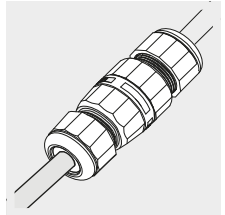
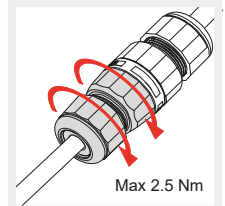
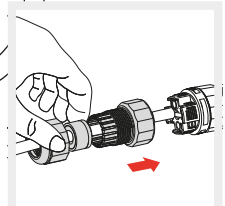
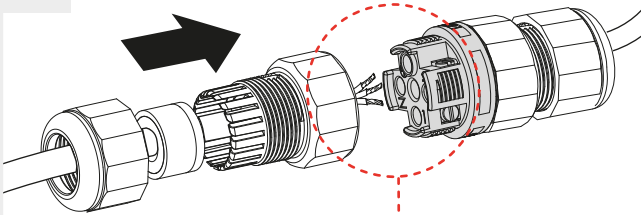
Ø 9.0 - 12.0 mm

0,5 mm² - 4 mm²

H05RN-F
H07RN-F



8



L

N



220-240V

L

N

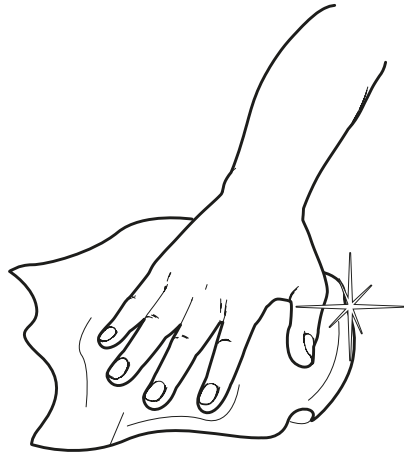
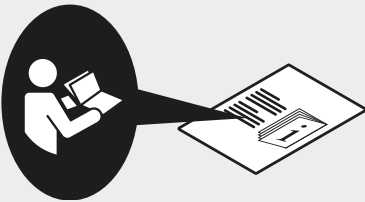
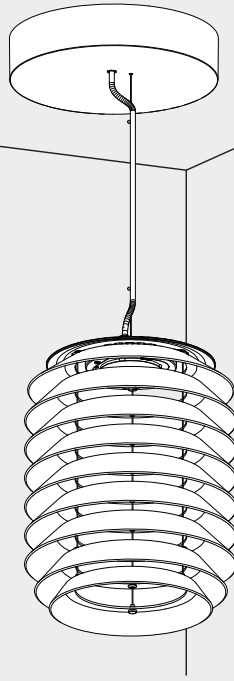
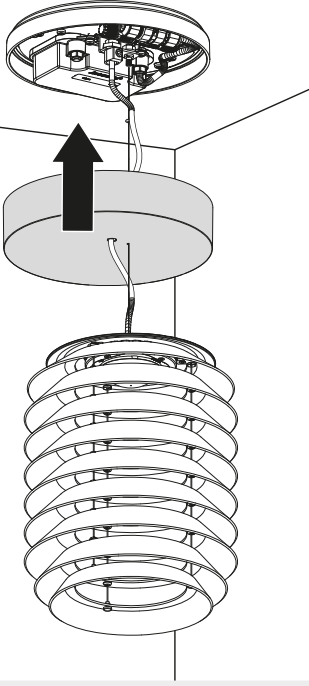


2

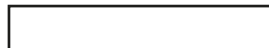
3

4

9



Artemide®



Artemide

via Bergamo, 18
20006 Pregnana M.se (MI)
ITALIA

tel. +39 02 935 181
fax +39 02 935 90 254
fax +39 02 935 90 496

www.artemide.com

VAT IT00846890150

cod. Y513001732