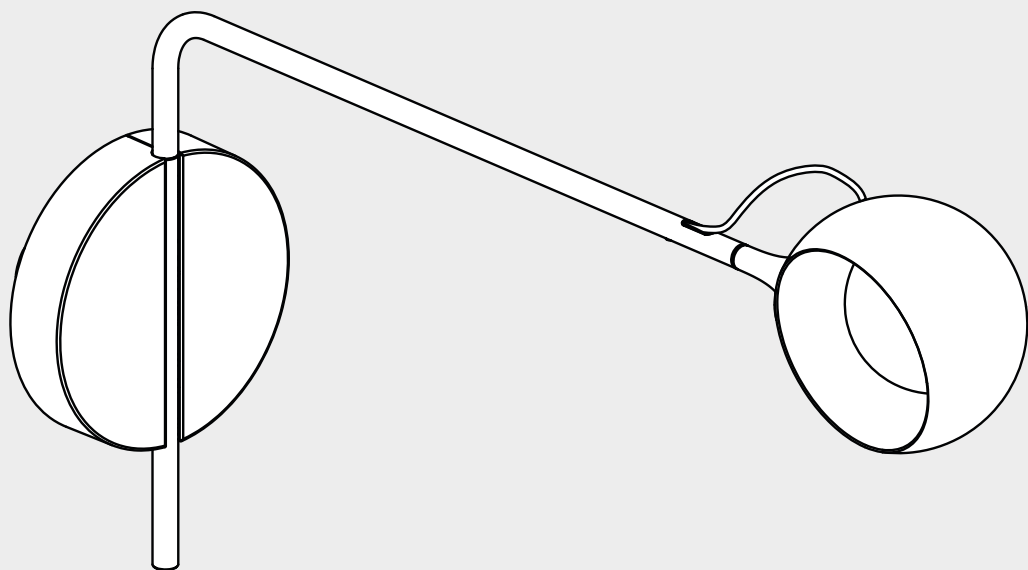


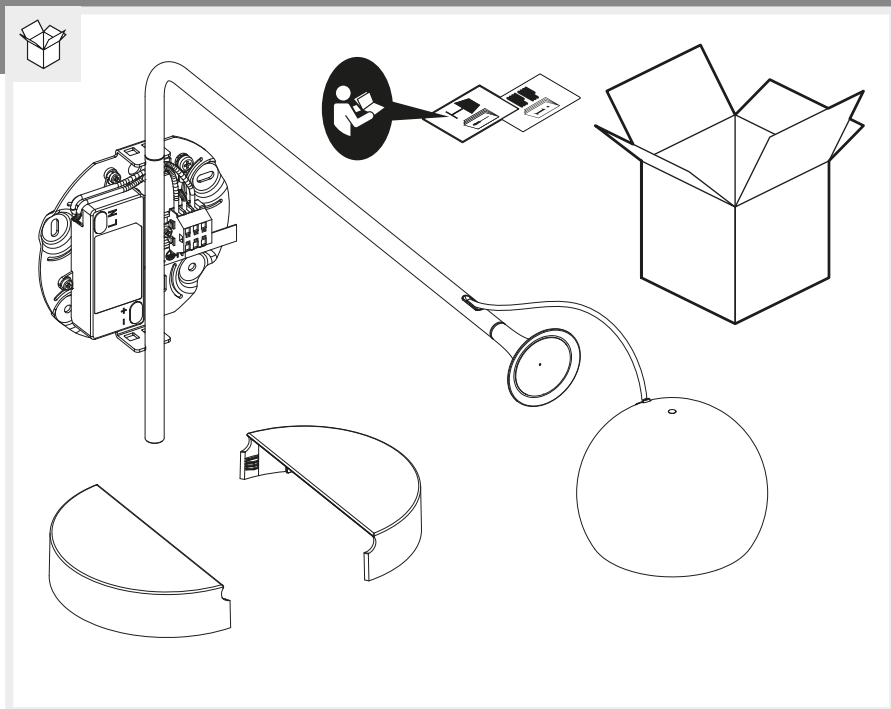
IXA

design
Foster & Partners

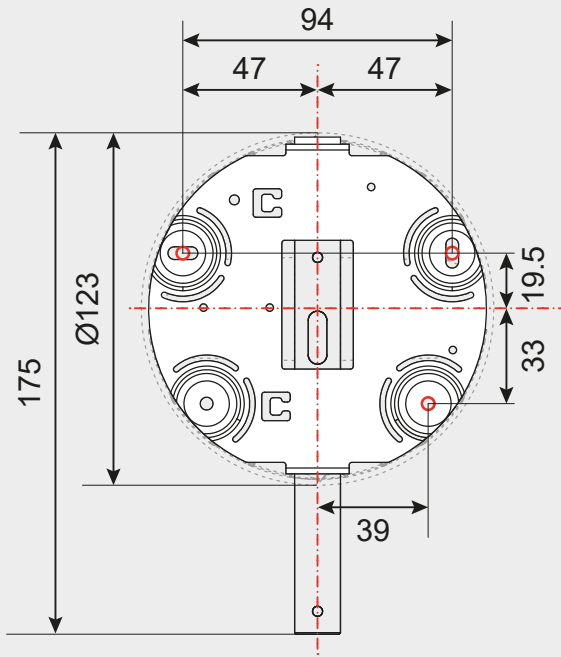




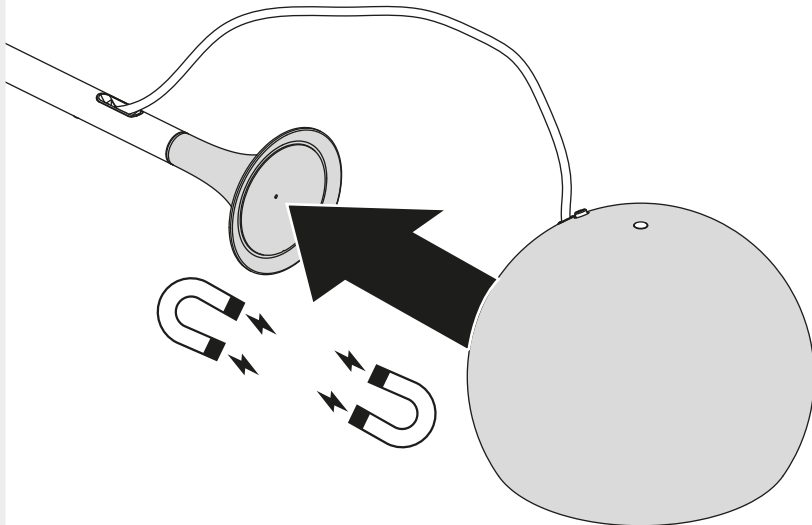
i



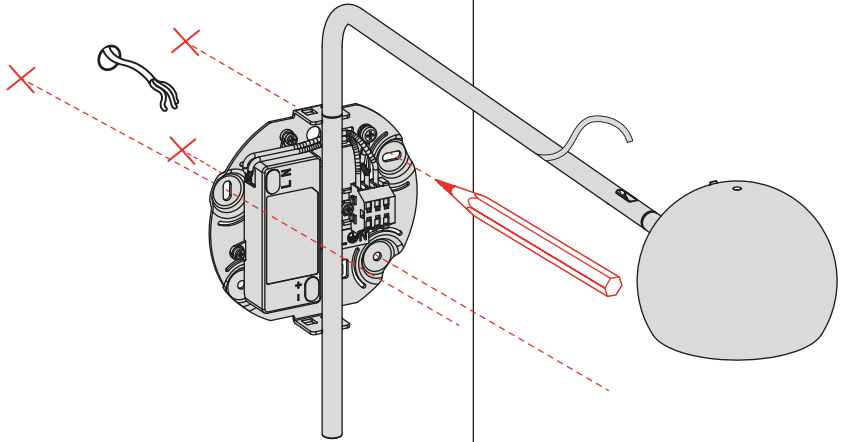
i



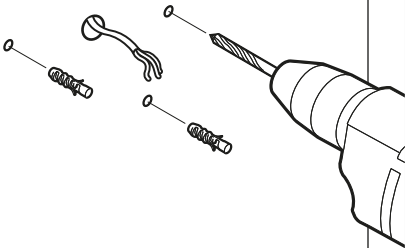
1



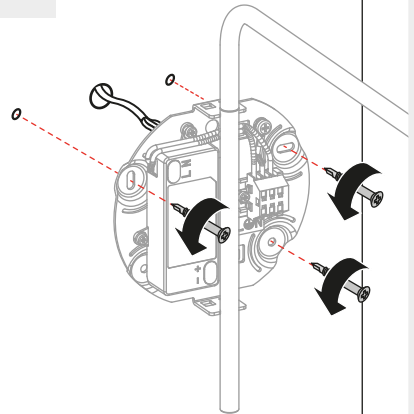
2



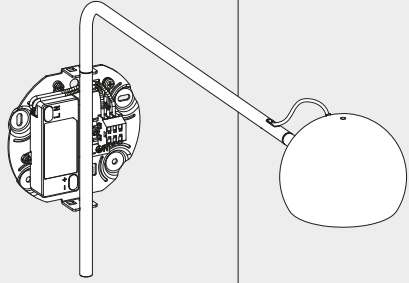
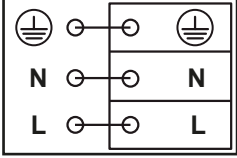
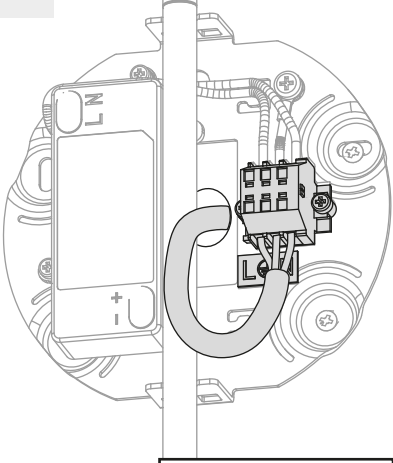
3



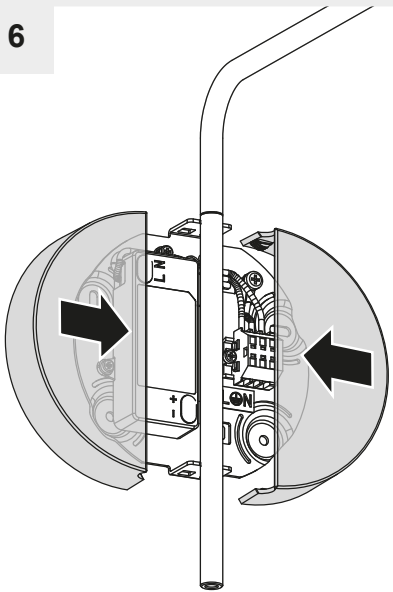
4



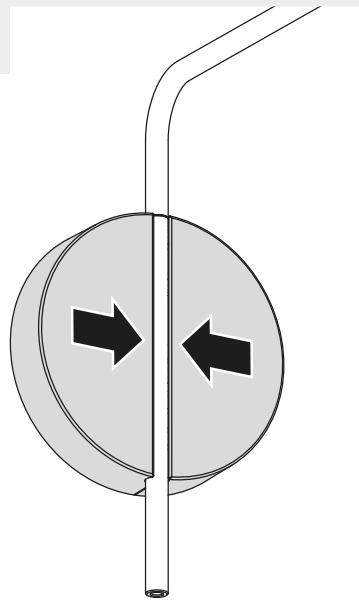
5



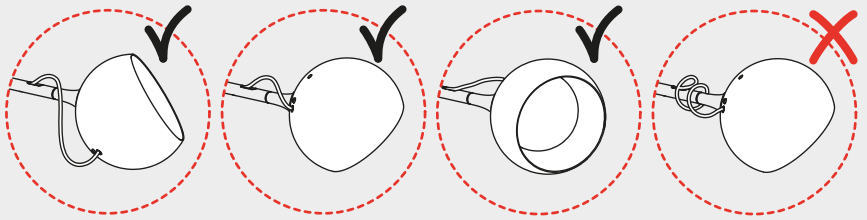
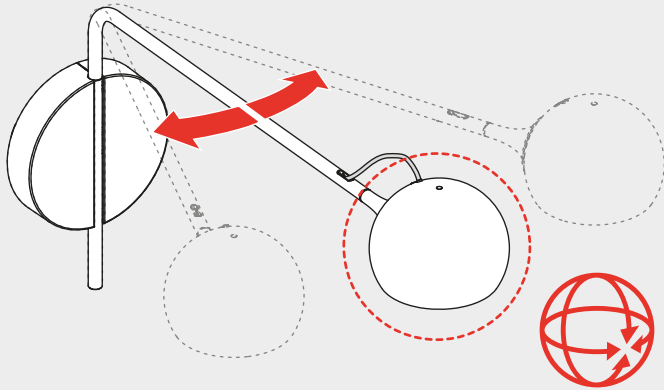
6



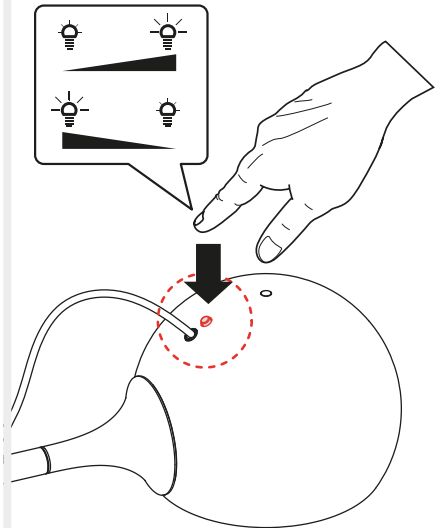
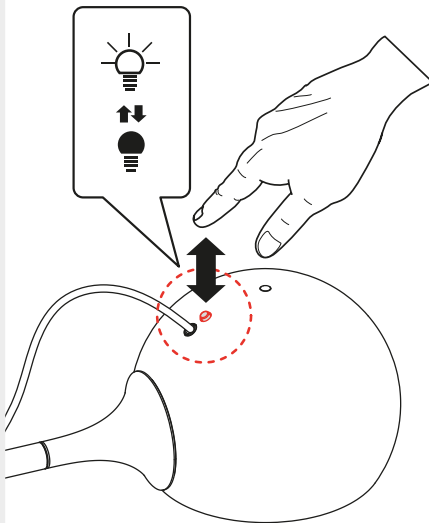
7

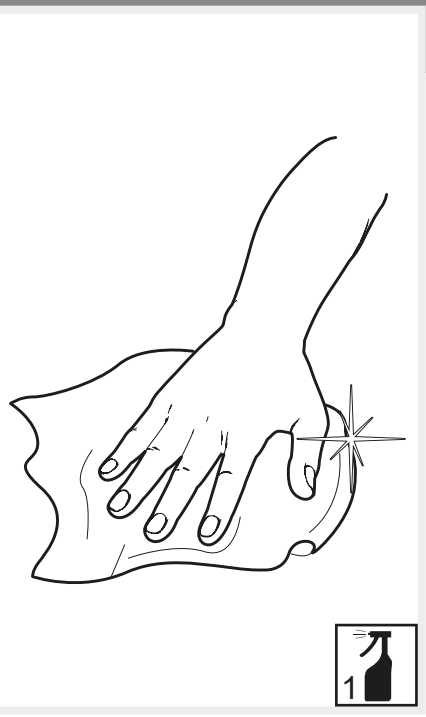


i

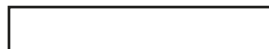


8





Artemide®



Artemide

via Bergamo, 18
20006 Pregnana M.se (MI)
ITALIA

tel. +39 02 935 181
fax +39 02 935 90 254
fax +39 02 935 90 496

www.artemide.com

VAT IT00846890150

cod. Y513001742B