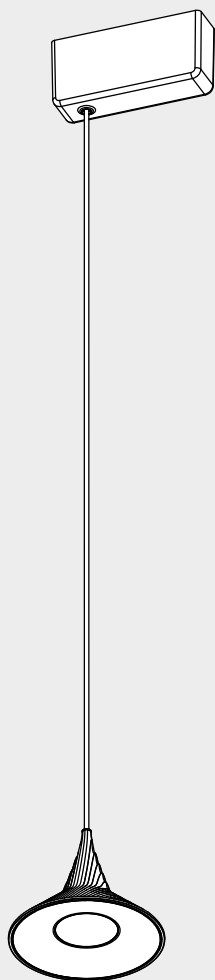


# Artemide®

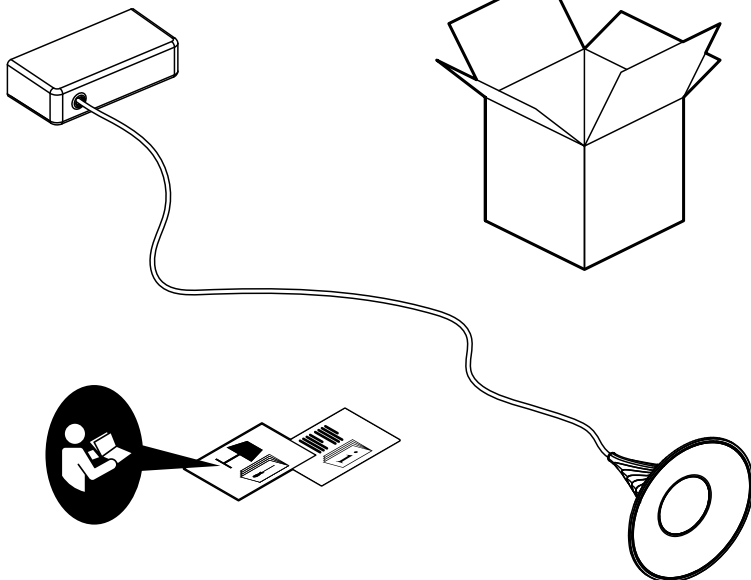
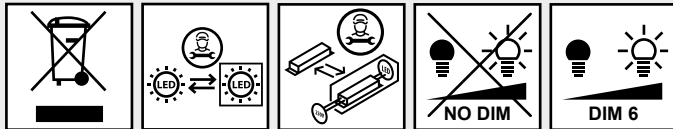
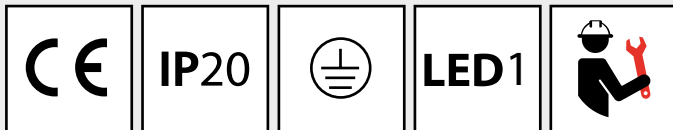
## UNTERLINDEN 175 SOSPENSIONE INDOOR

design  
Herzog & de Meuron

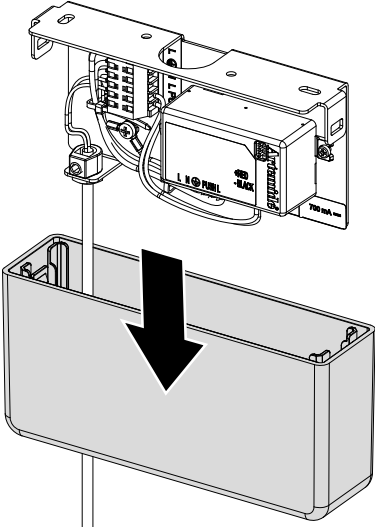




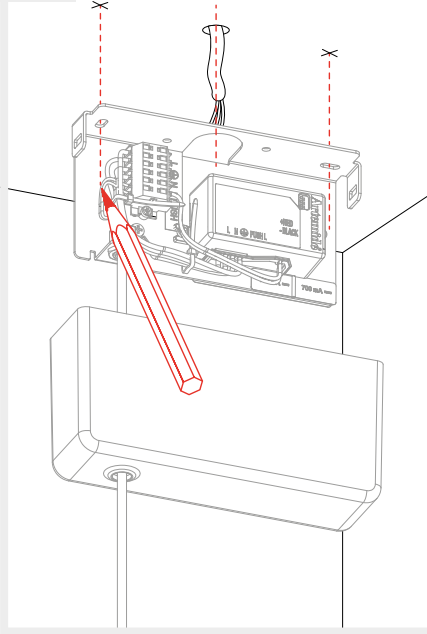
i



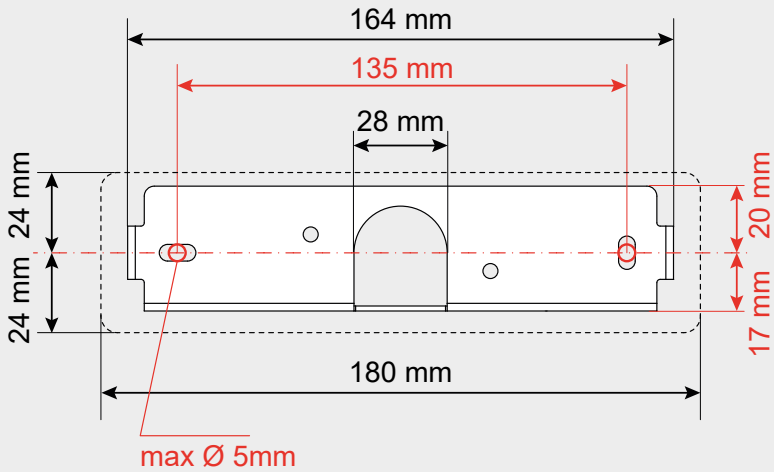
1



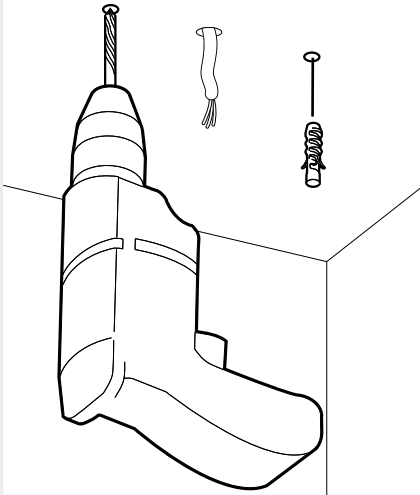
2



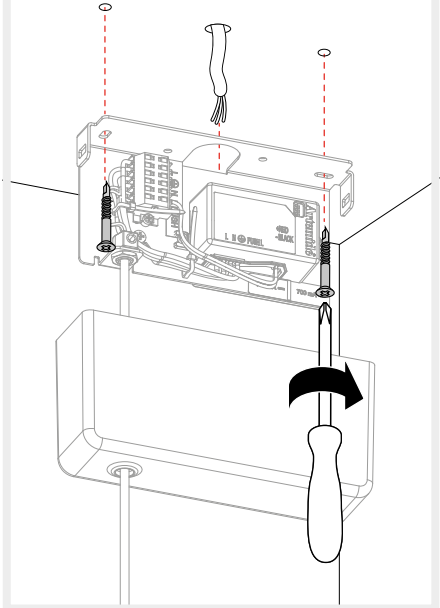
**i**



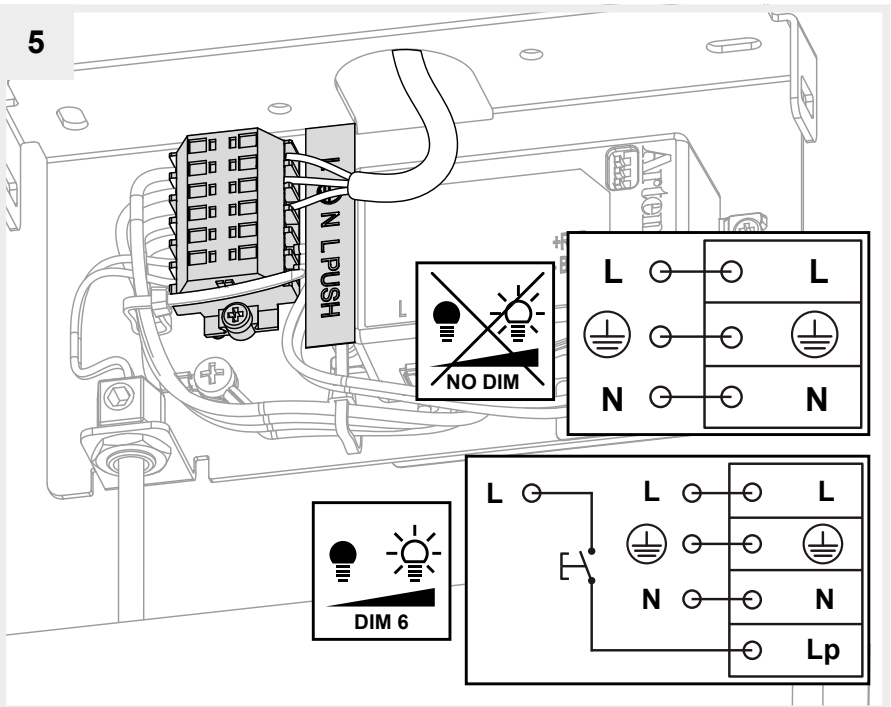
3



4

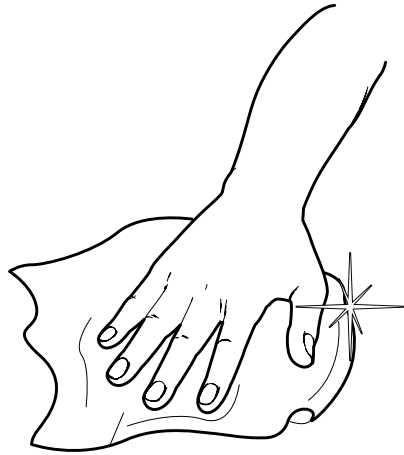
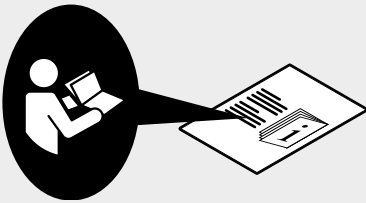
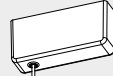
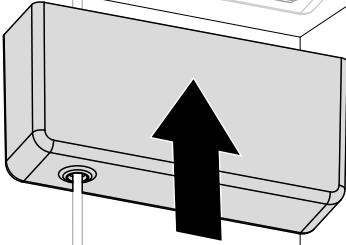
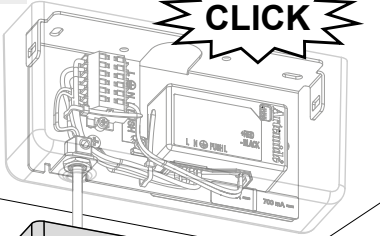


5



6

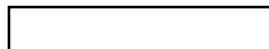
**CLICK**







**Artemide®**



**Artemide**

via Bergamo, 18  
20006 Pregnana M.se (MI)  
ITALIA

tel. +39 02 935 181  
fax +39 02 935 90 254  
fax +39 02 935 90 496

[www.artemide.com](http://www.artemide.com)

VAT IT00846890150

cod. Y513001950