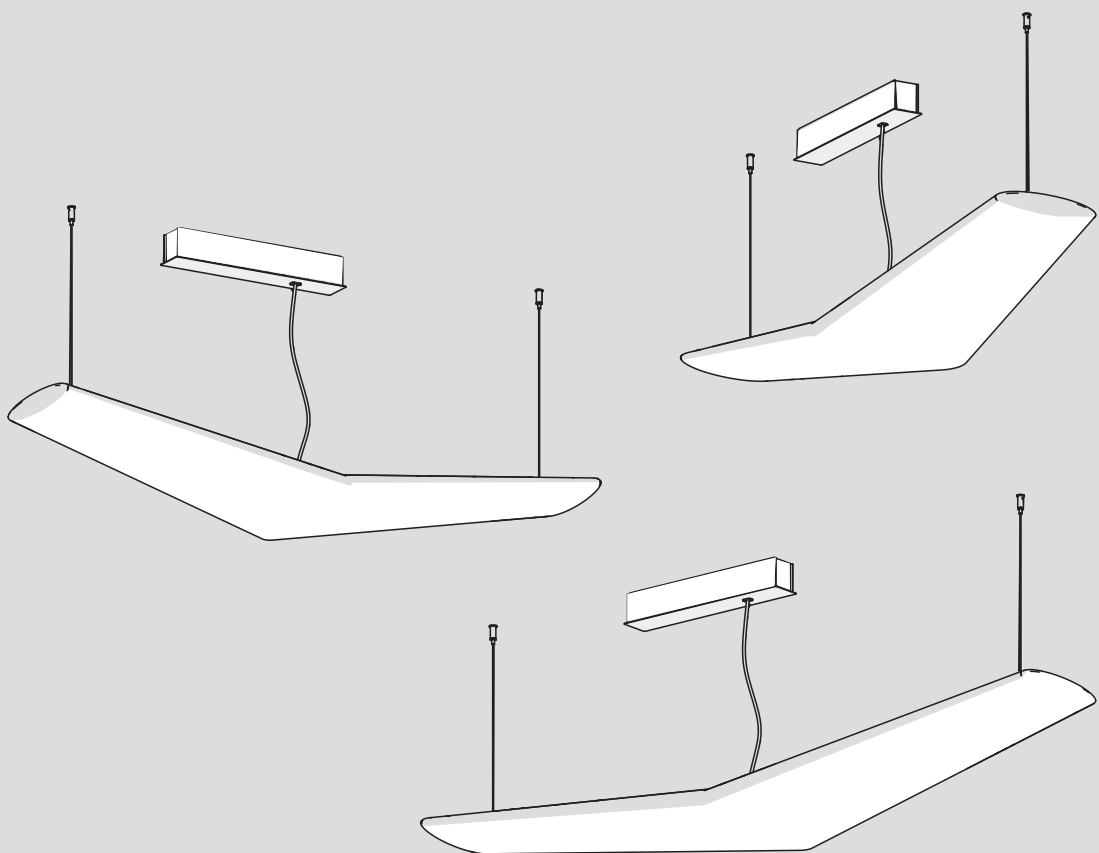


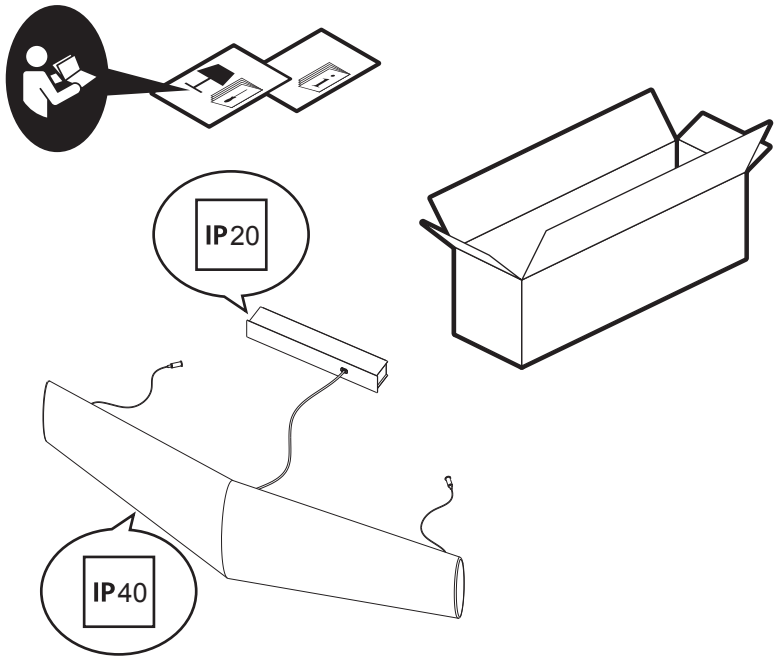
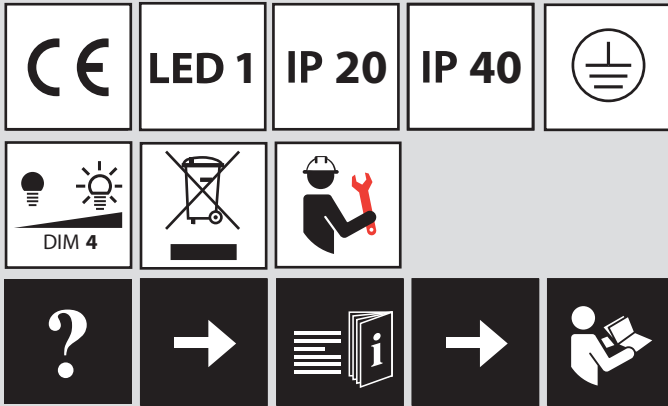
Mouette Led

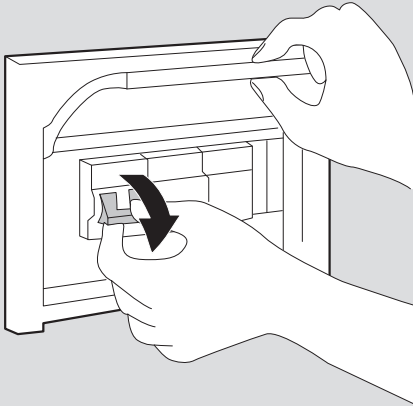
design
Wilmotte & Associés



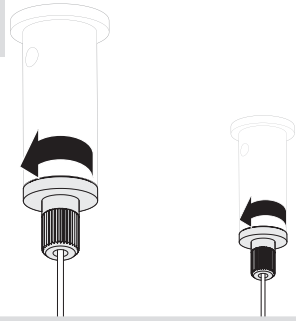


i

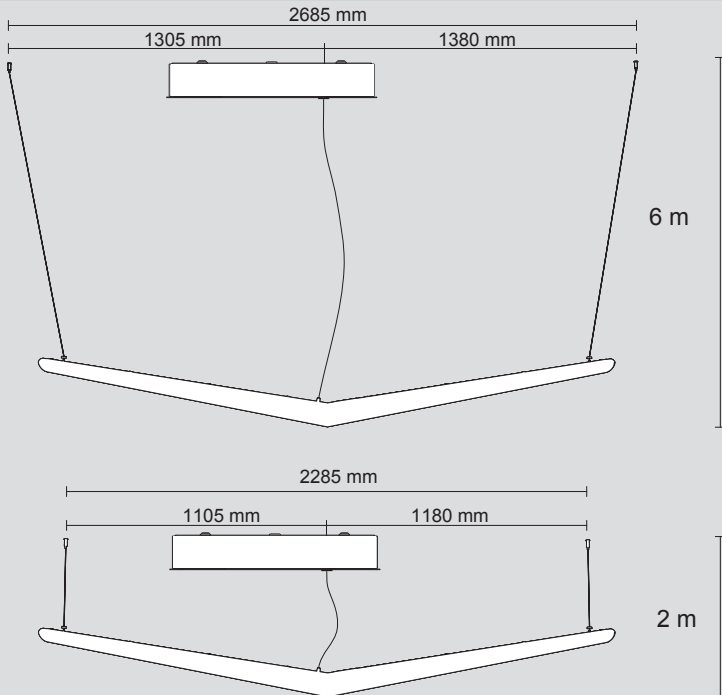
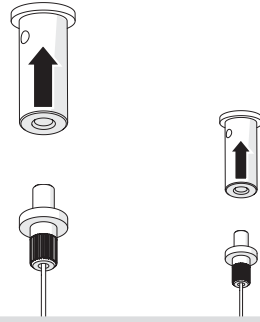


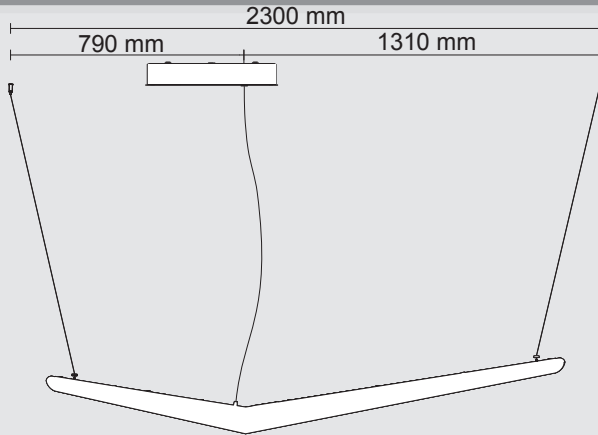


1

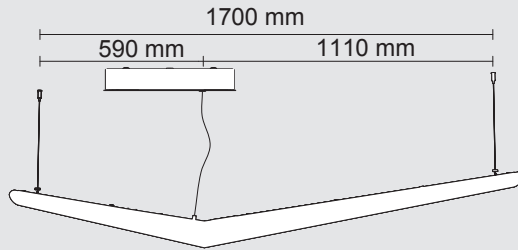


2

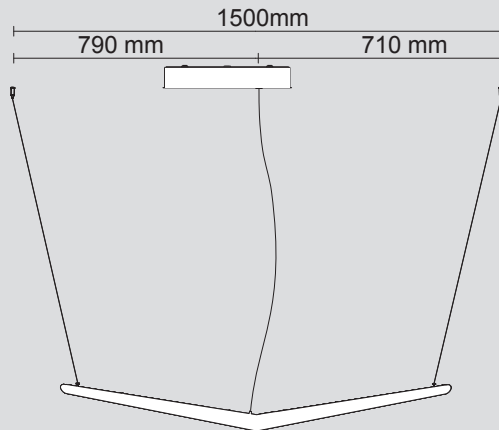




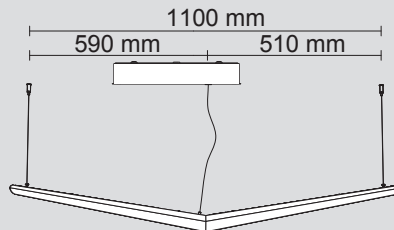
6 m



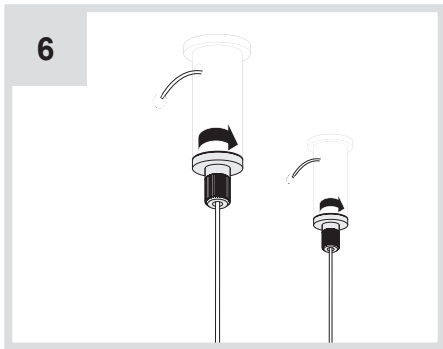
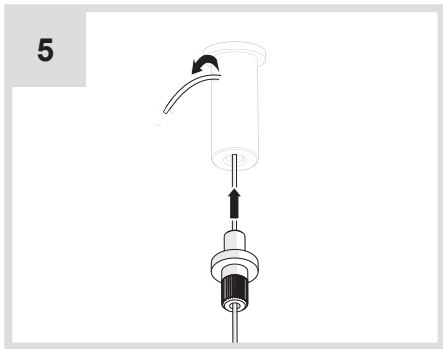
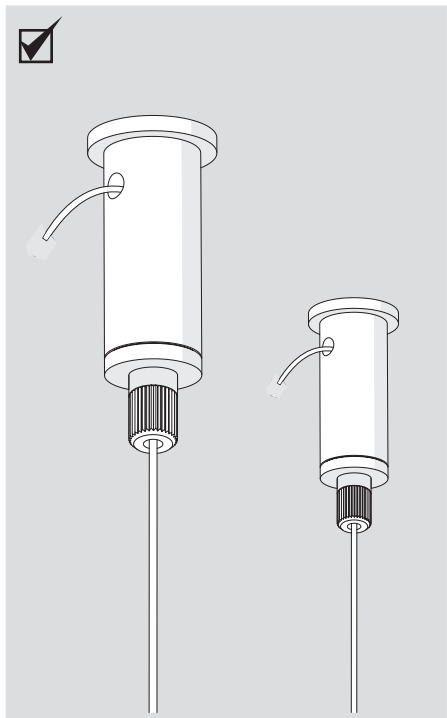
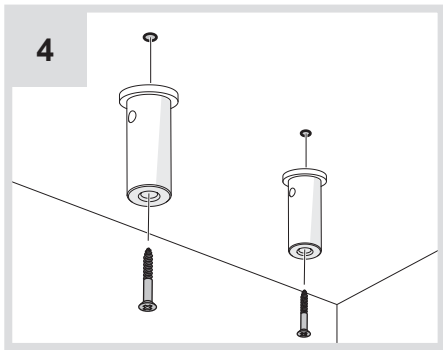
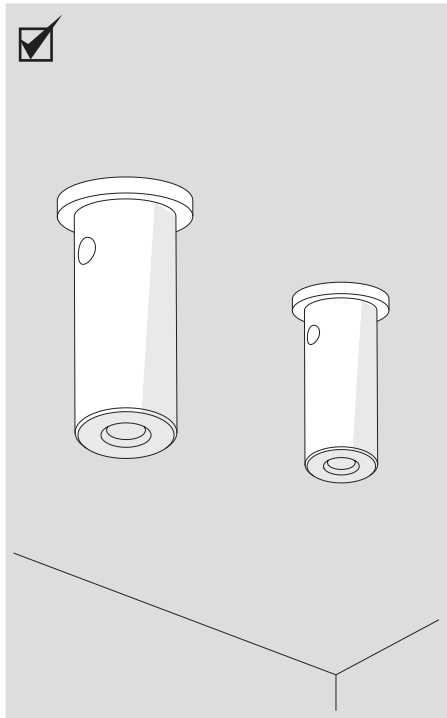
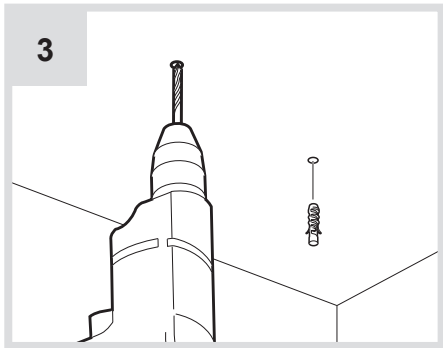
2 m

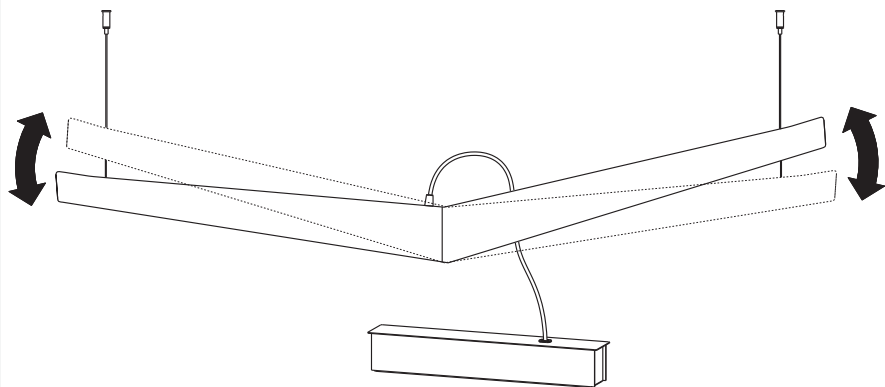


6 m

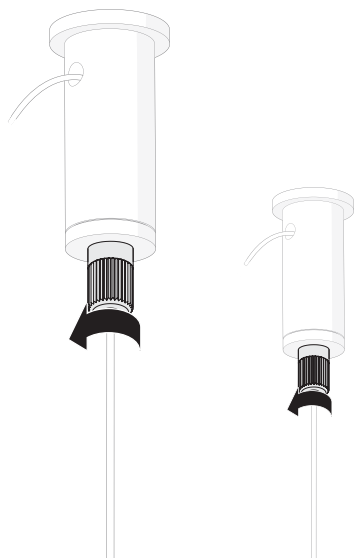


2 m

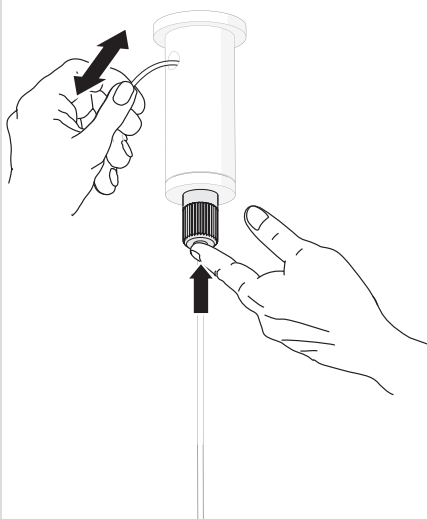




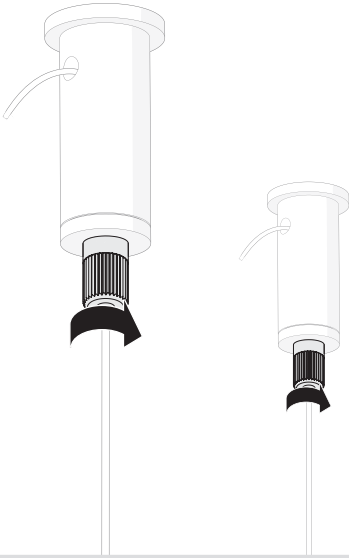
7



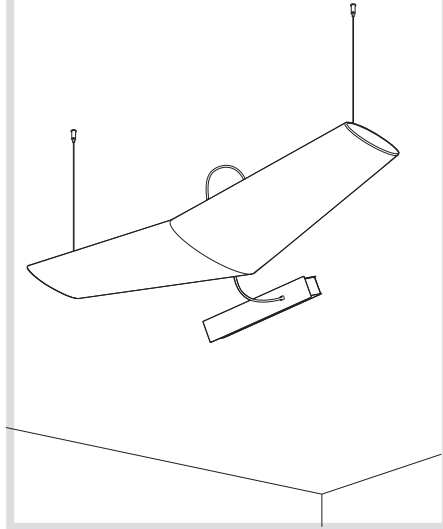
8

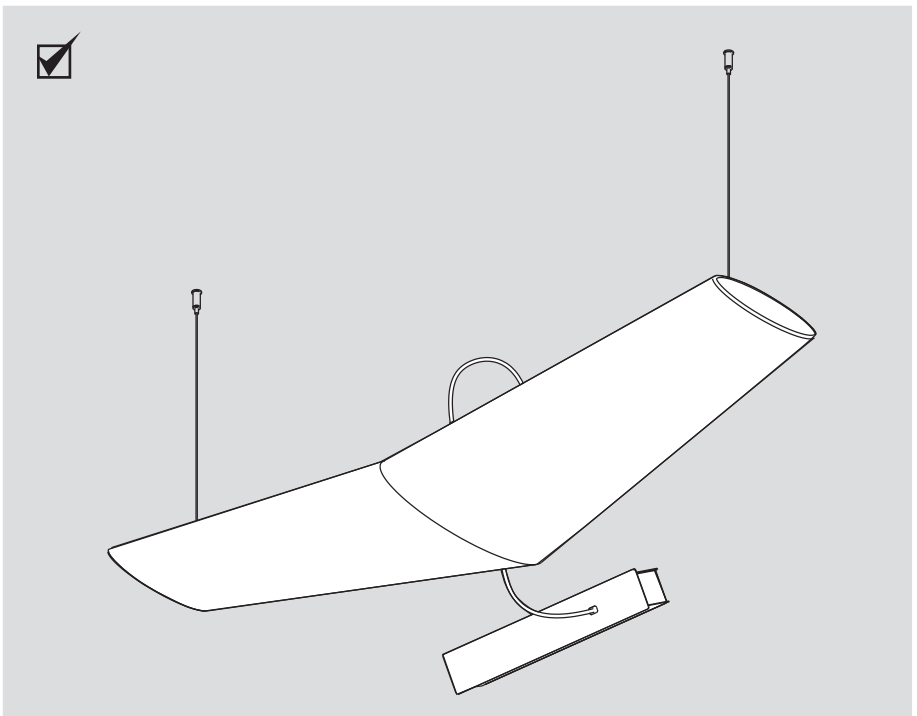
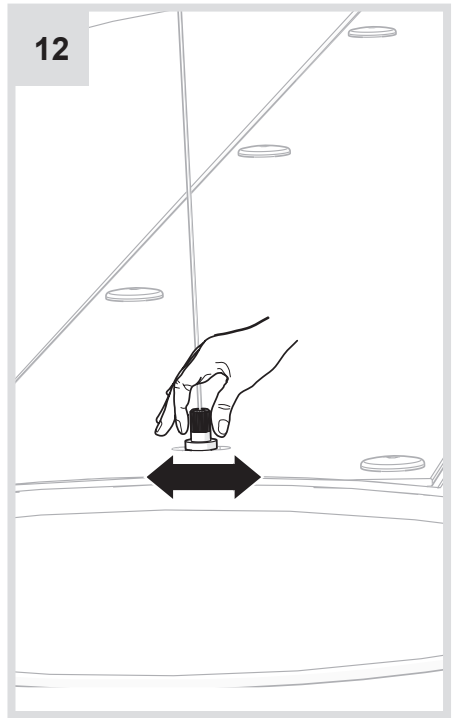
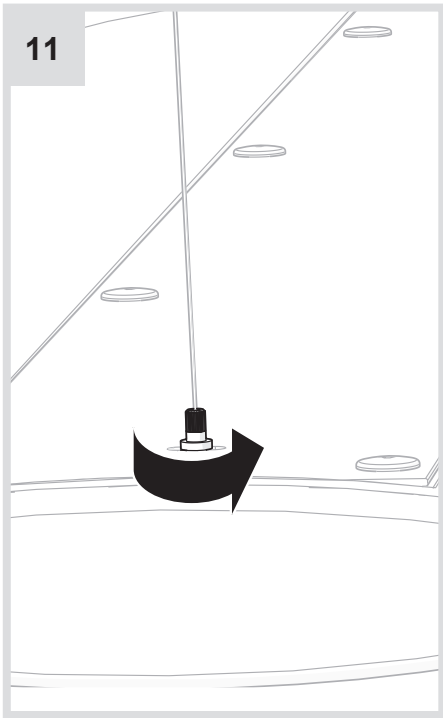


9

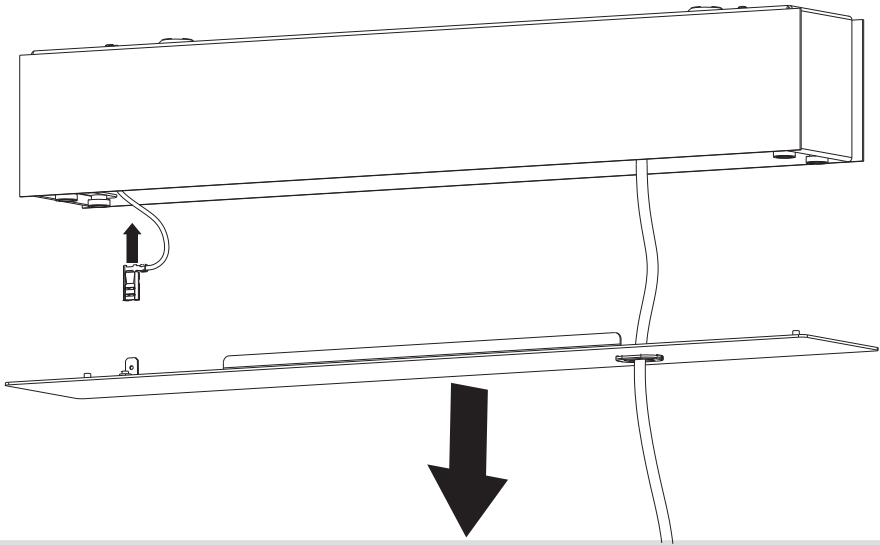


10

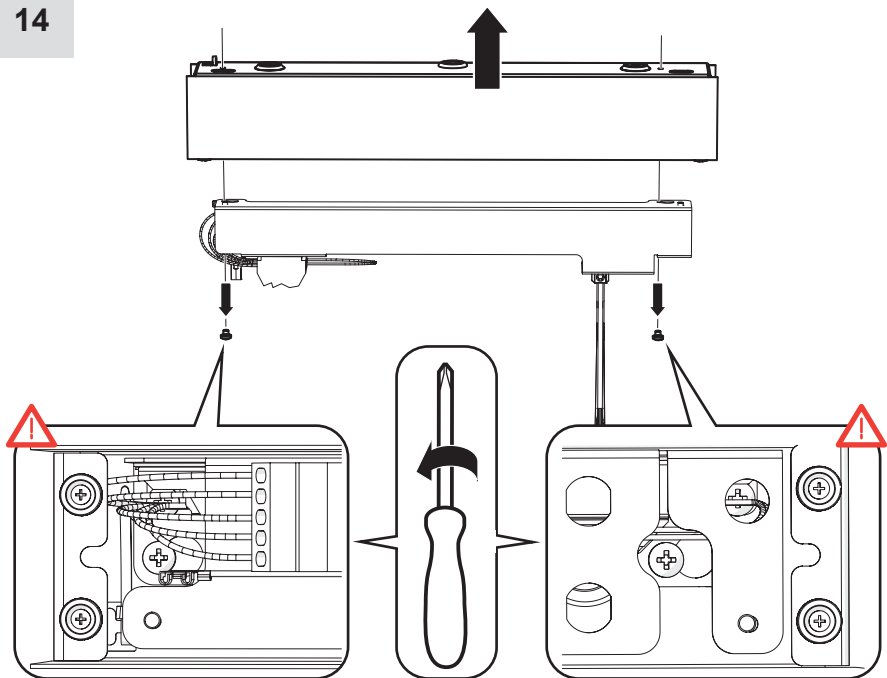




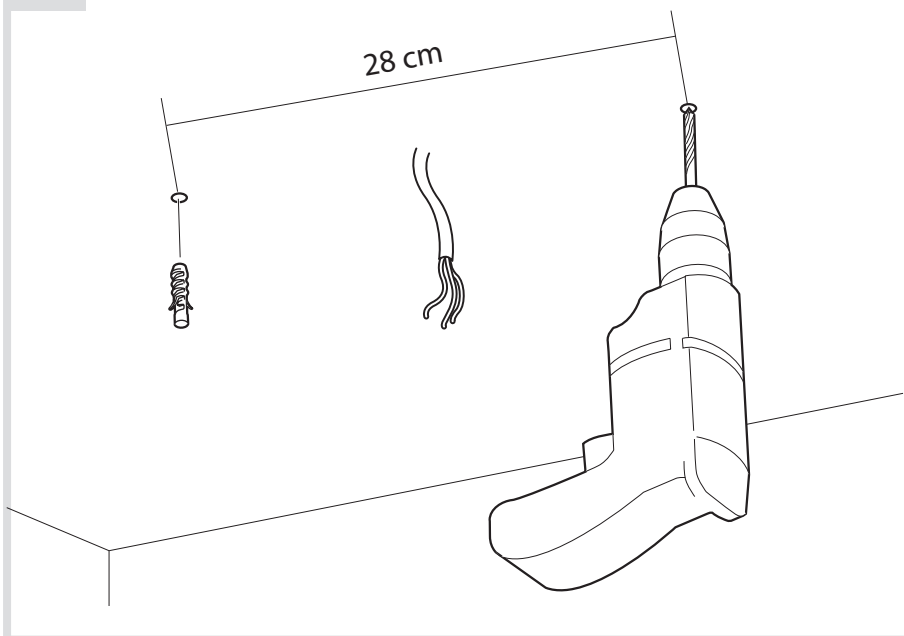
13



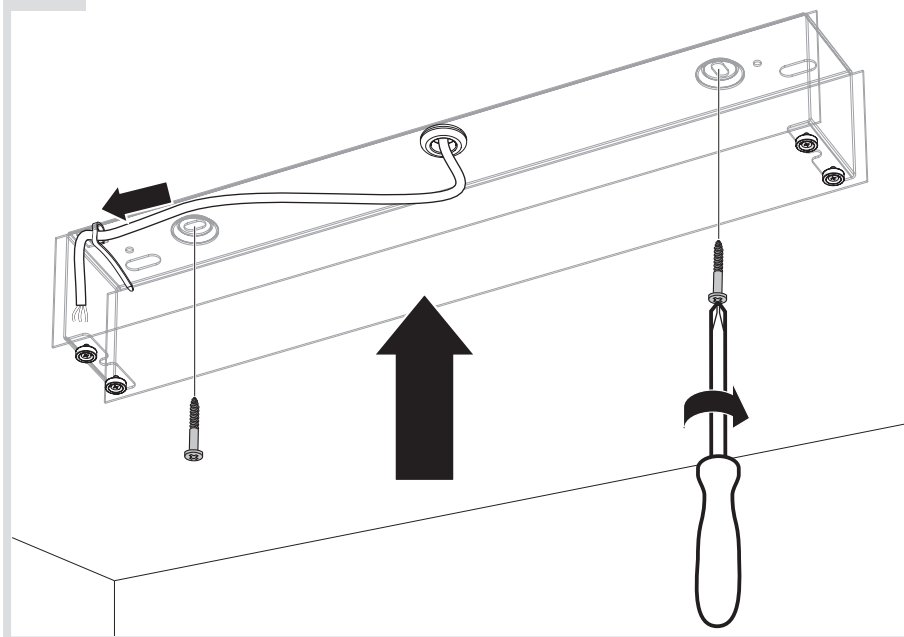
14



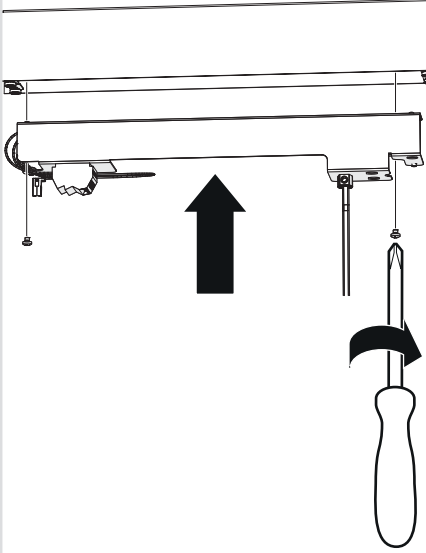
14



15

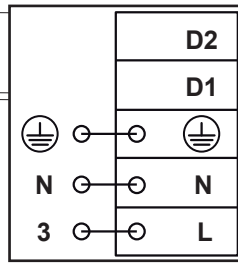
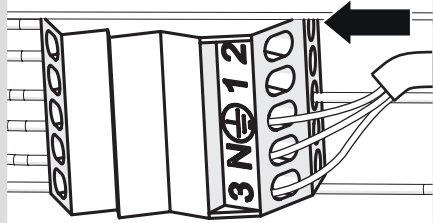


16



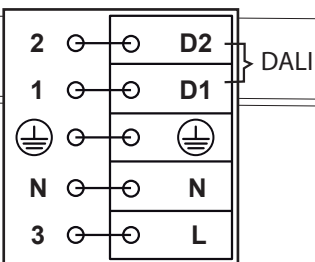
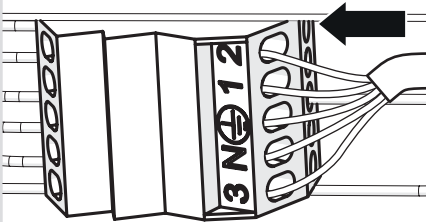
17

Non dimmable

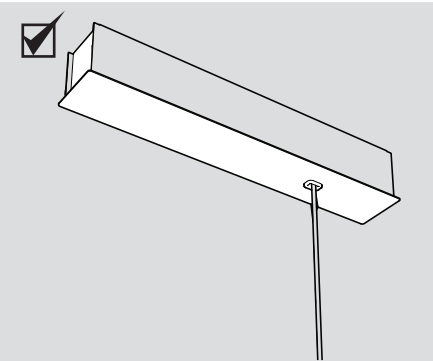
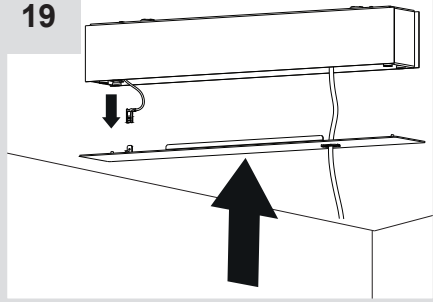


18

Dimmable



19

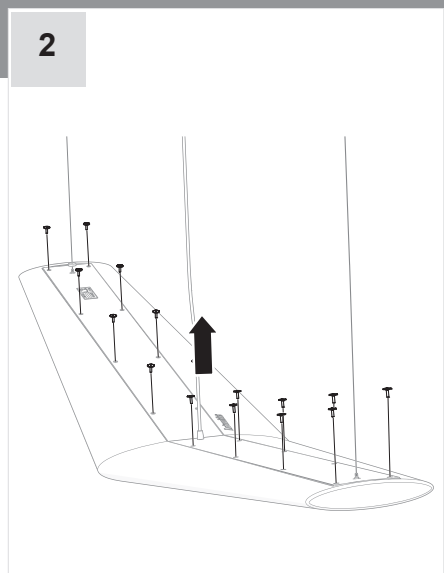




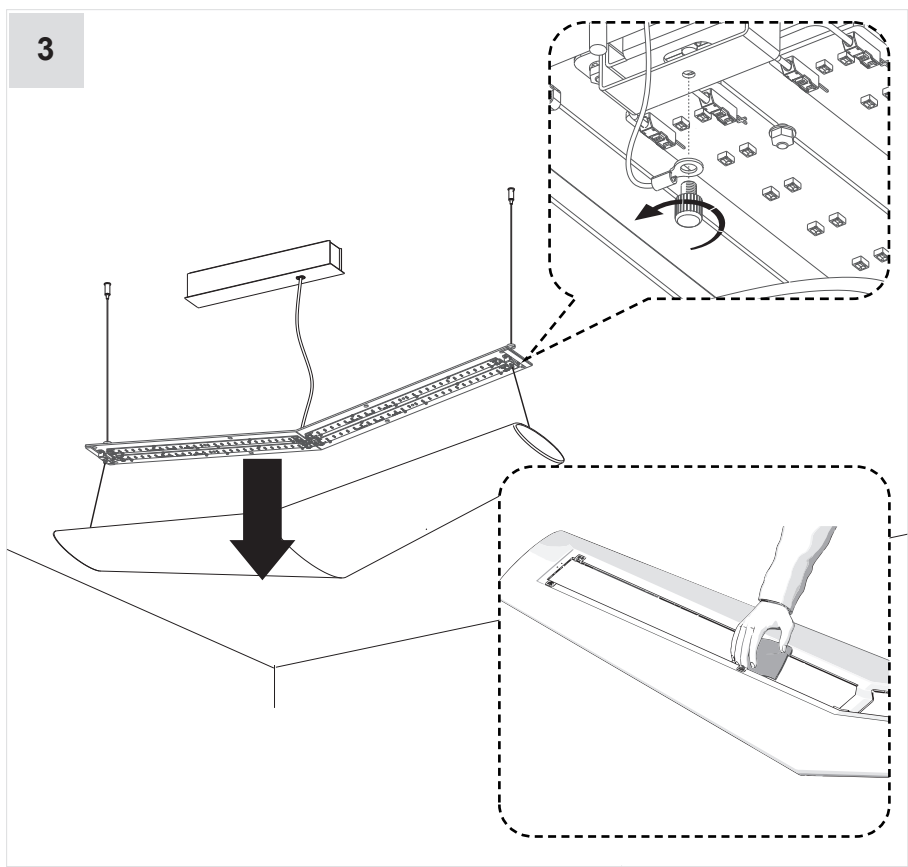
1



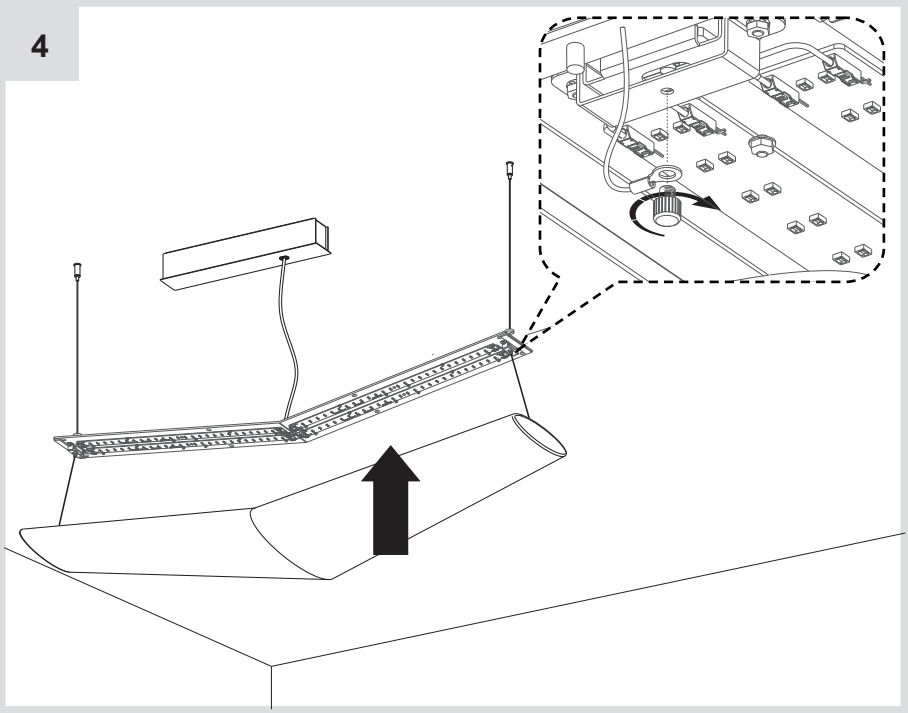
2



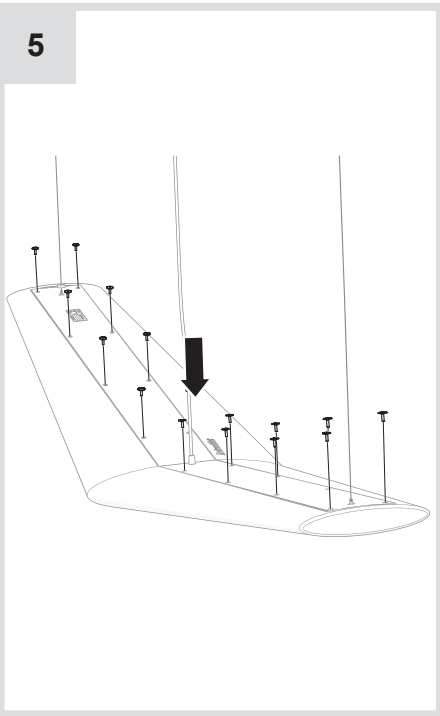
3



4

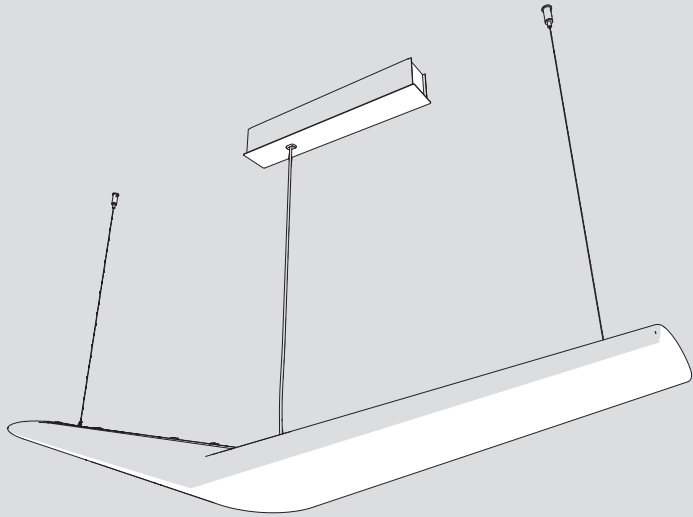


5



6

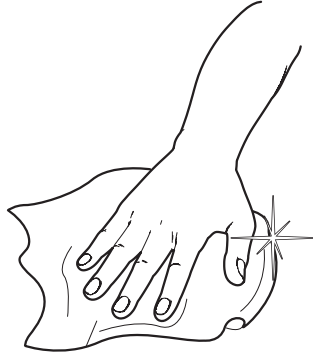




i



1





Artemide Spa

via Bergamo, 18
20010 Pregnana M.se (MI)
ITALIA

Tel. +39 02 935 181
Fax +39 02 935 90 254
Fax +39 02 935 90 496

www.artemide.com

VAT IT00846890150