

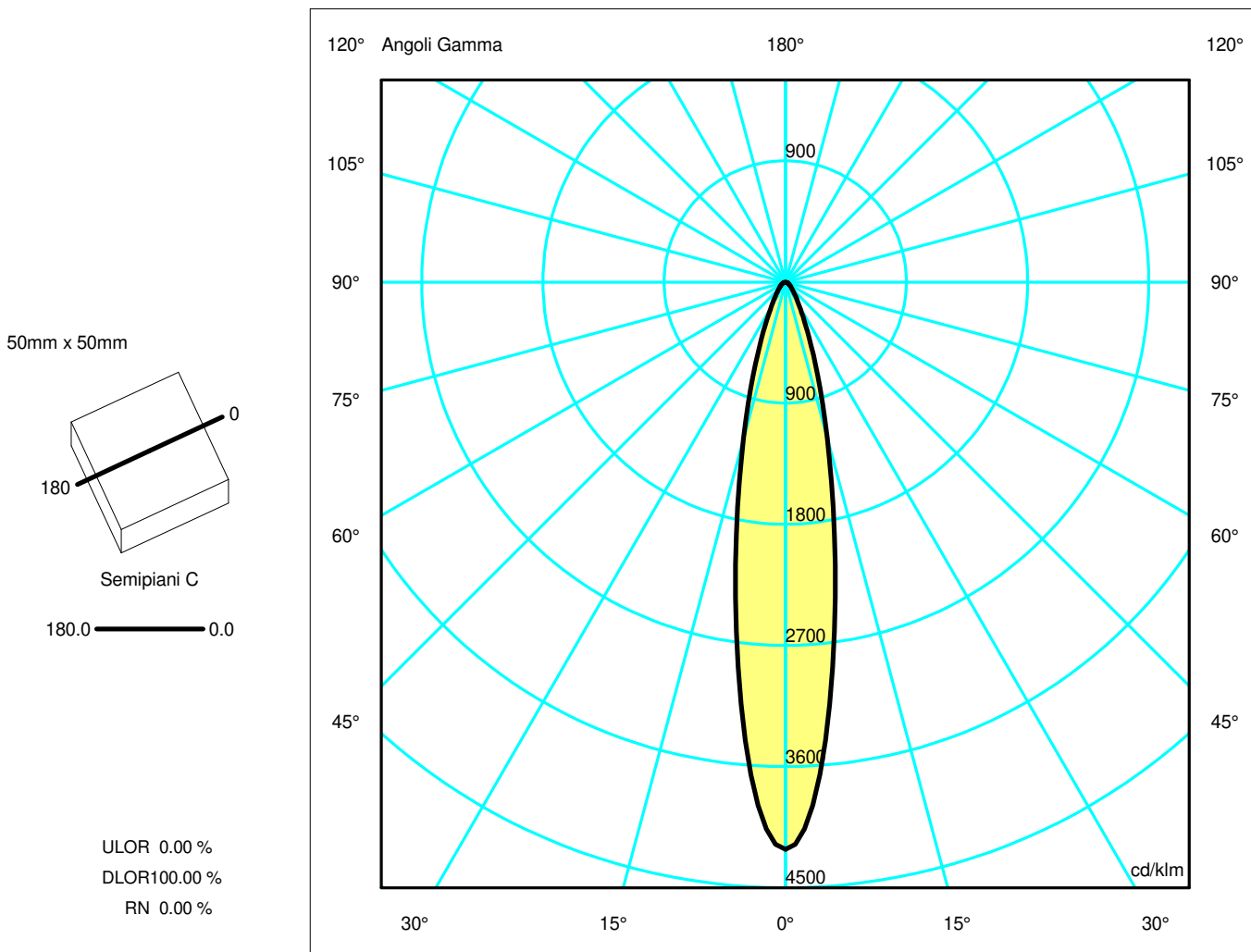
## Luminaire

Code DJ1001C09  
Name MIYAKO - SOSPENSIONE 30 LED - NERO

## Measurem.

Code FTS1600610  
Name MIYAKO - SOSPENSIONE 30 LED - NERO

|  |                   |                         |                |                             |               |                         |                 |
|--|-------------------|-------------------------|----------------|-----------------------------|---------------|-------------------------|-----------------|
| Luminaire Flux   | 180.44 lm         | Luminaire Power         | 5.00 W         | Efficacy                    | 36.09 lm/W    | Efficiency              | 100.00%         |
| Lamps Flux   | 180.44 lm         | Maximum value           | 4213.99 cd/klm | Position                    | C=0.00 G=0.00 | CG                      | Rotosymmetrical |
| Rectangular Luminaire  |                   | Length                  | 50 mm          | Width                       | 50 mm         | Height                  | 300 mm          |
| Rectangular Luminous Area  |                   | Length                  | 50 mm          | Width                       | 50 mm         | Height                  | 3 mm            |
| Horizontal Luminous Area   |                   | 0.002500 m <sup>2</sup> |                | Emitting area on Plane 180° |               | 0.000150 m <sup>2</sup> |                 |
| Emitting area on Plane 0°  |                   | 0.000150 m <sup>2</sup> |                | Emitting area on Plane 270° |               | 0.000150 m <sup>2</sup> |                 |
| Emitting area on Plane 90°   |                   | 0.000150 m <sup>2</sup> |                | Glare area at 76°           |               | 0.000750 m <sup>2</sup> |                 |
| Coordinate system  |                   | CG                      |                | Symmetry Type               |               | Rotosymmetrical         |                 |
| Date   |                   | 11-07-2014              |                | Maximum Gamma Angle         |               | 90                      |                 |
| Measurement Distance   |                   | 0.00                    |                | Measurement Flux            |               | 180.44 lm               |                 |
| LED Flux=240lm LED Power=3.3W Eff=75% EfcLed=73lm/W EfcLum=36lm/W Ra=80 SDCM=5 L70(6K)=50000 |                   |                         |                |                             |               |                         |                 |
| C.I.E.   | 89 97 100 100 100 |                         |                | D DIN 5040                  | A60           |                         |                 |
| F UTE  | 1.00 A            |                         |                | B NBN                       | BZ 1          |                         |                 |



## Luminaire

Code DJ1001C09  
Name MIYAKO - SOSPENSIONE 30 LED - NERO

## Measurement

Code FTS1600610  
Name MIYAKO - SOSPENSIONE 30 LED - NERO

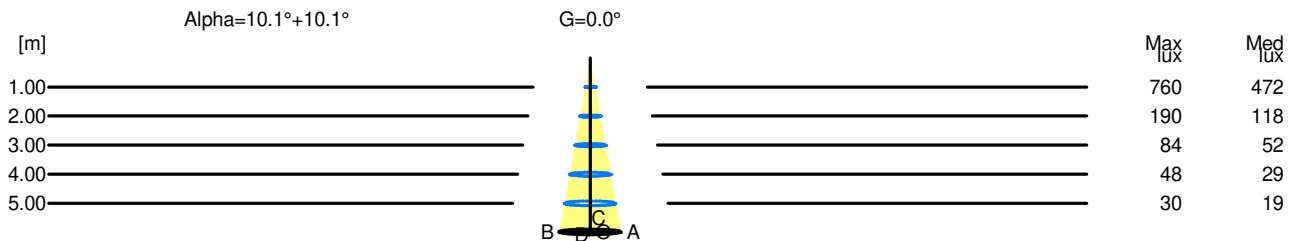
|  |                   |                 |                |                             |               |                 |                 |
|--|-------------------|-----------------|----------------|-----------------------------|---------------|-----------------|-----------------|
| Luminaire Flux   | 180.44 lm         | Luminaire Power | 5.00 W         | Efficacy                    | 36.09 lm/W    | Efficiency      | 100.00%         |
| Lamps Flux   | 180.44 lm         | Maximum value   | 4213.99 cd/klm | Position                    | C=0.00 G=0.00 | CG              | Rotosymmetrical |
| Rectangular Luminaire  |                   | Length          | 50 mm          | Width                       | 50 mm         | Height          | 300 mm          |
| Rectangular Luminous Area  |                   | Length          | 50 mm          | Width                       | 50 mm         | Height          | 3 mm            |
| Horizontal Luminous Area   |                   | 0.002500 m2     |                | Emitting area on Plane 180° |               | 0.000150 m2     |                 |
| Emitting area on Plane 0°  |                   | 0.000150 m2     |                | Emitting area on Plane 270° |               | 0.000150 m2     |                 |
| Emitting area on Plane 90°   |                   | 0.000150 m2     |                | Glare area at 76°           |               | 0.000750 m2     |                 |
| Coordinate system  |                   | CG              |                | Symmetry Type               |               | Rotosymmetrical |                 |
| Date   |                   | 11-07-2014      |                | Maximum Gamma Angle         |               | 90              |                 |
| Measurement Distance   |                   | 0.00            |                | Measurement Flux            |               | 180.44 lm       |                 |
| LED Flux=240lm LED Power=3.3W Eff=75% EfcLed=73lm/W EfcLum=36lm/W Ra=80 SDCM=5 L70(6K)=50000 |                   |                 |                |                             |               |                 |                 |
| C.I.E.   | 89 97 100 100 100 |                 |                | D DIN 5040                  | A60           |                 |                 |
| F UTE  | 1.00 A            |                 |                | B NBN                       | BZ 1          |                 |                 |

### Width at 50.00 % of Max Intensity

| H[m] | 1.00 | 2.00 | 3.00 | 4.00 | 5.00 | H[m] | 1.00 | 2.00 | 3.00 | 4.00 | 5.00 |
|------|------|------|------|------|------|------|------|------|------|------|------|
| OA   | 0.18 | 0.36 | 0.54 | 0.71 | 0.89 | OC   | 0.18 | 0.36 | 0.54 | 0.71 | 0.89 |
| OB   | 0.18 | 0.36 | 0.54 | 0.71 | 0.89 | OD   | 0.18 | 0.36 | 0.54 | 0.71 | 0.89 |

### Luminous Intensities [ cd/klm]

|    | 0      | 5      | 15     | 25    | 35    | 45    | 55   | 65   | 75   | 85   |
|----|--------|--------|--------|-------|-------|-------|------|------|------|------|
| OA | 760.37 | 616.79 | 216.88 | 64.59 | 24.16 | 12.14 | 7.11 | 4.30 | 1.76 | 0.00 |
| OB | 760.37 | 616.79 | 216.88 | 64.59 | 24.16 | 12.14 | 7.11 | 4.30 | 1.76 | 0.00 |
| OC | 760.37 | 616.79 | 216.88 | 64.59 | 24.16 | 12.14 | 7.11 | 4.30 | 1.76 | 0.00 |
| OD | 760.37 | 616.79 | 216.88 | 64.59 | 24.16 | 12.14 | 7.11 | 4.30 | 1.76 | 0.00 |



| H[m] | D[m] | Max lux | Med lux | Alpha=10.1°+10.1° | G=0.0 |
|------|------|---------|---------|-------------------|-------|
| 1.00 | 0.36 | 760     | 472     |                   |       |
| 2.00 | 0.71 | 190     | 118     |                   |       |
| 3.00 | 1.07 | 84      | 52      |                   |       |
| 4.00 | 1.43 | 48      | 29      |                   |       |
| 5.00 | 1.78 | 30      | 19      |                   |       |